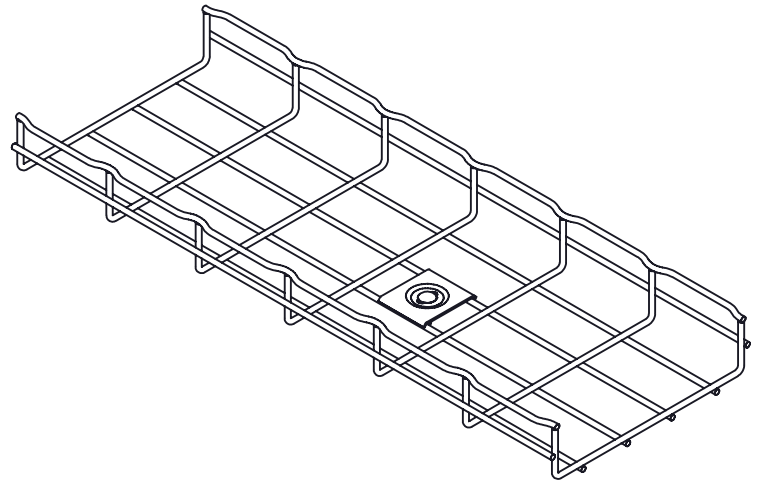
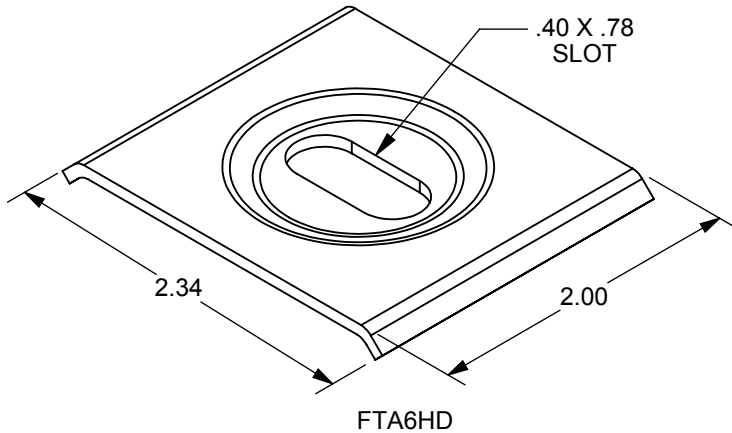
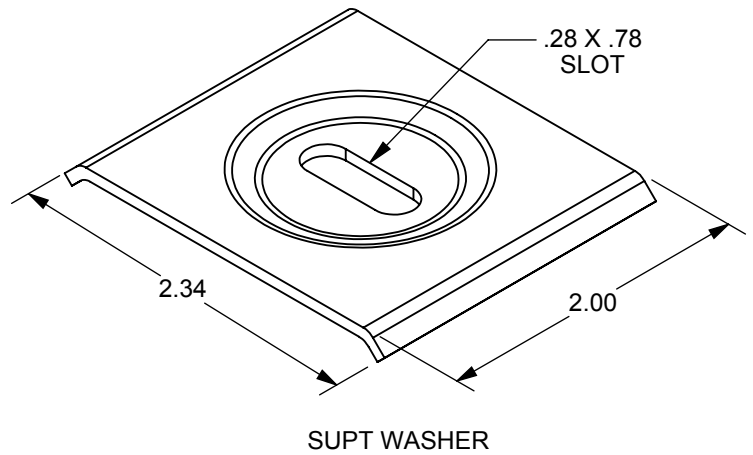



- PART NUMBER: SUPT WASHER & FTA6HD
- MATERIAL FINISH:
ELECTROPLATED ZINC
BLACK POWDER COATED
304 STAINLESS STEEL
316 STAINLESS STEEL
CUSTOM POWDER COATED



INSTALLED VIEW
(HARDWARE & BASKET NOT INCLUDED)

INSTALLED AS CENTER HANGER
(HARDWARE, THREADED ROD & BASKET NOT INCLUDED)

THIS DRAWING AND/OR THE TECHNICAL INFORMATION CONTAINED HEREON IS THE PROPERTY OF COOPER B-LINE, INC. ("B-LINE"), AND IS ISSUED IN CONFIDENCE FOR B-LINE ENGINEERING PURPOSES ONLY AND MAY NOT BE REPRODUCED OR USED FOR ANY PURPOSE WHATSOEVER WITHOUT THE EXPRESS WRITTEN PERMISSION OF B-LINE TO THE USER. THIS DRAWING AND/OR TECHNICAL INFORMATION IS THE PROPERTY OF B-LINE AND IS LOANED FOR MUTUAL ASSISTANCE. TO BE RETURNED WHEN ITS INTENDED PURPOSE HAS BEEN SERVED.

 509 W. Monroe Street Highland, IL 62249 Phone (618) 654-2184 FAX (618) 654-5499 www.cooperbline.com	SUBMITTAL DRAWING		REFERENCE DWG(S):	SUBMITTAL NO: S00015589
	TITLE: SUPT WASHER FTA6HD		DRAWN BY: DF	REV: A
	FLEXTRAY SUPPORT WASHER		DATE: 06/11/08	SHEET: 1 OF 1
	<small>EQUIPMENT FURNISHED HAS BEEN FABRICATED IN ACCORDANCE WITH THIS DRAWING.</small>		MODEL SOURCE FILE: 00015589	REV: 00