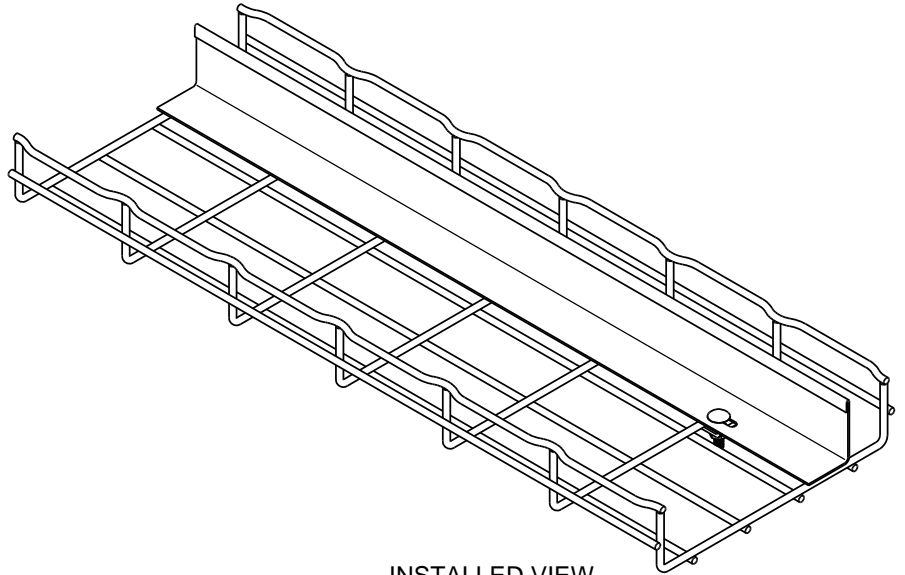
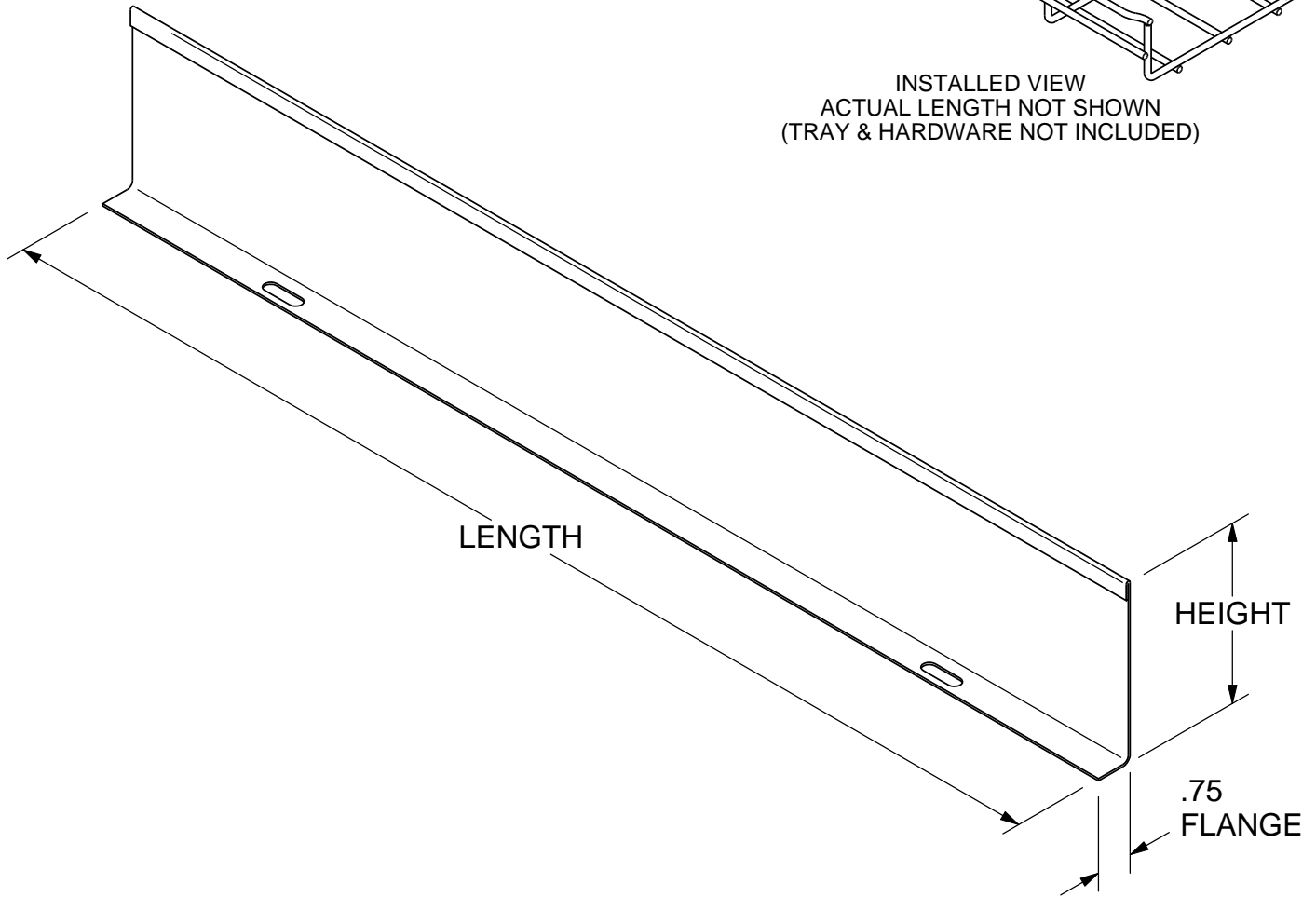


- AVAILABLE FOR 2", 4" & 6" DEPTH FLEXTRAY.
- DESIGNED TO SEPARATE OR COMPARTMENTALIZE CABLING.
- MATERIAL: PREGALVANIZED STEEL.
- DUAL SLOTS EVERY 2 FEET




INSTALLED VIEW
ACTUAL LENGTH NOT SHOWN
(TRAY & HARDWARE NOT INCLUDED)



PART NUMBER	TRAY DEPTH	HEIGHT	LENGTH
2 IN DIVIDER	2"	1.875"	118.125"
4 IN DIVIDER	4"	3.750"	118.125"
6 IN DIVIDER	6"	5.625"	118.125"

THIS DRAWING AND/OR THE TECHNICAL INFORMATION CONTAINED HEREON IS THE PROPERTY OF COOPER B-LINE, INC. ("B-LINE"), AND IS ISSUED IN CONFIDENCE FOR B-LINE ENGINEERING PURPOSES ONLY AND MAY NOT BE REPRODUCED OR USED FOR ANY PURPOSE WHATSOEVER WITHOUT THE EXPRESS WRITTEN PERMISSION OF B-LINE TO THE USER. THIS DRAWING AND/OR TECHNICAL INFORMATION IS THE PROPERTY OF B-LINE AND IS LOANED FOR MUTUAL ASSISTANCE. TO BE RETURNED WHEN ITS INTENDED PURPOSE HAS BEEN SERVED.

 <p>509 W. Monroe Street Highland, IL 62249 Phone (618) 654-2184 FAX (618) 654-5499 www.cooperblinc.com</p>	SUBMITTAL DRAWING		REFERENCE DWG(S):	SUBMITTAL NO: S00015644
	FLEXTRAY DIVIDERS			<small>DRAWN BY:</small> DF <small>REV.</small> A <small>DATE:</small> 10/15/08
	<small>EQUIPMENT FURNISHED HAS BEEN FABRICATED IN ACCORDANCE WITH THIS DRAWING.</small>		<small>MODEL SOURCE FILE:</small> 00011562 <small>REV.:</small> 00	<small>SHEET:</small> 1 OF 1