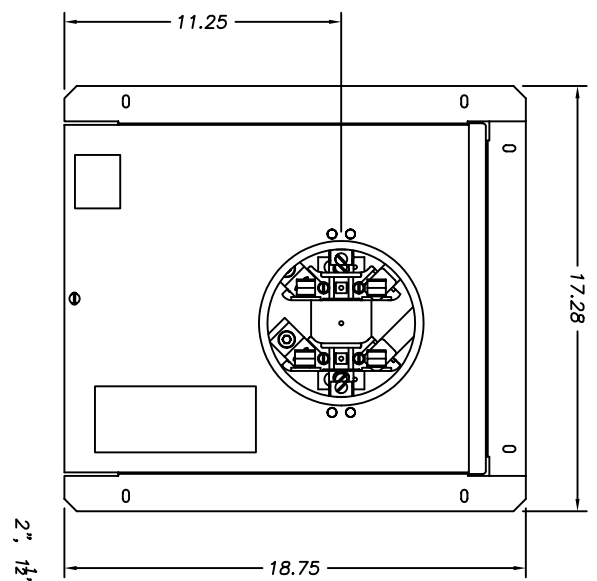
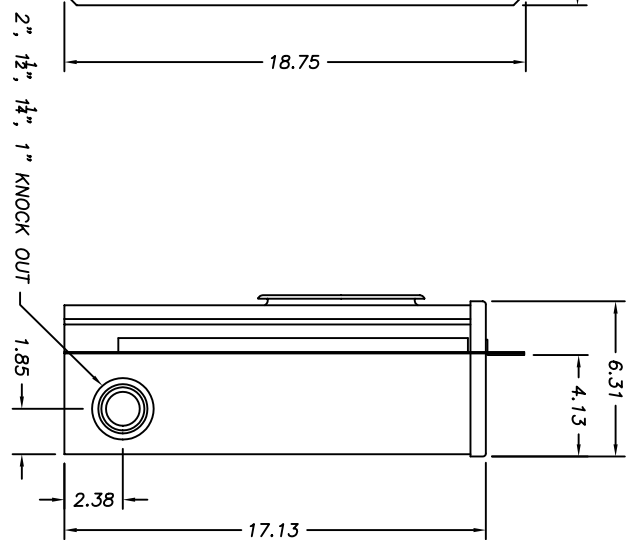


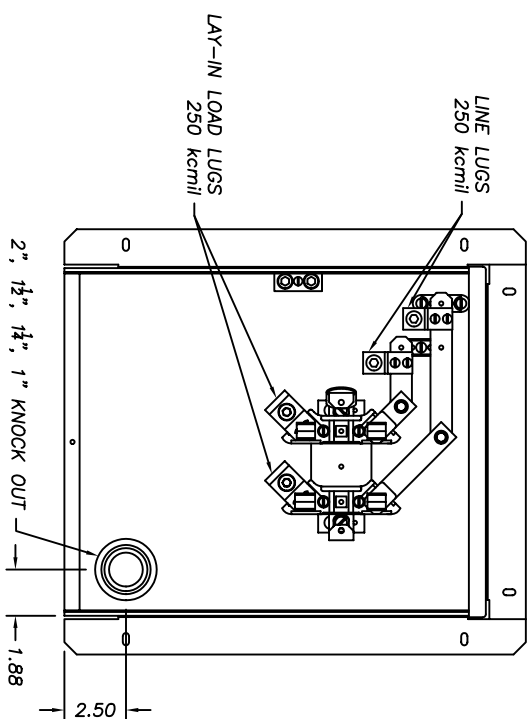
TOP VIEW



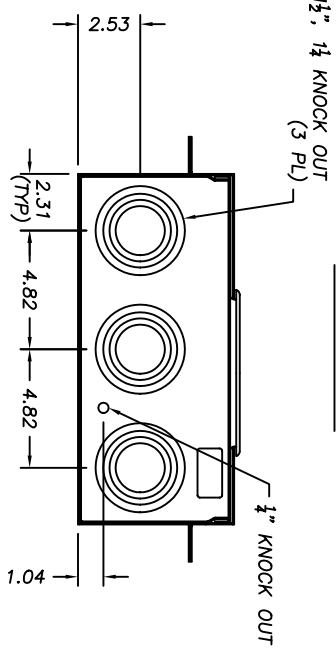
FRONT VIEW



RIGHT SIDE VIEW



FRONT VIEW (W/O COVER)



BOTTOM VIEW

NOTES:

1. RATINGS:

- 200A MAX.
- 600V MAX.
- 1 PHASE 3 WIRE

2. CONSTRUCTION:

- 4-JAW

3. FINISH:

- ANSI 61 GRAY ACRYLIC ELECTROCOAT FINISH

4. LISTINGS:

- UL 414 LISTED
- COMPLIES WITH ANSI 12.7

COOPER
B-Line
HIGHLAND, ILLINOIS

UG204F25

SUBMITTAL DRAWING

DRAWN BY:	DATE:	SIZE:	ECO:	REV:
DEBRAY	01/27/05	C		A

THIS DRAWING AND/OR TECHNICAL INFORMATION CONTAINED HEREIN IS THE PROPERTY OF COOPER B-LINE, INC. AND IS NOT TO BE REPRODUCED, COPIED, OR TRANSMITTED IN ANY FORM OR BY ANY MEANS, ELECTRONIC OR MECHANICAL, WITHOUT THE EXPRESS WRITTEN PERMISSION OF B-LINE TO THE USER. THE DRAWING AND/OR TECHNICAL INFORMATION IS THE PROPERTY OF B-LINE AND IS LOANED TO THE USER. THIS DRAWING IS NOT TO BE REPRODUCED, COPIED, OR TRANSMITTED IN ANY FORM OR BY ANY MEANS, ELECTRONIC OR MECHANICAL, WITHOUT THE EXPRESS WRITTEN PERMISSION OF B-LINE TO THE USER.