

Hanging Supports

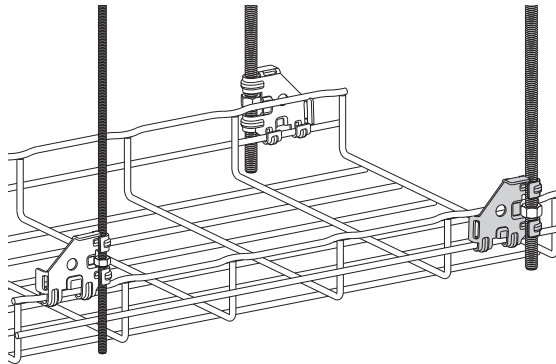


Flip Clip™

- Accommodates 1/4" and 3/8" rod sizes
- Installs quickly with a screwdriver or pliers thus reducing installation time
- Requires only one hex nut (not included) to hang and level the FLEXTRAY
- Retainer tabs can be bent over to lock-in the threaded rod and wire basket
- Finishes __: **ZN**, FB, SS6

Part Number	Description	Qty./Box	Wt./Box	
			lbs.	kg
WB46H__	Flip Clip	50	5.2	2.36

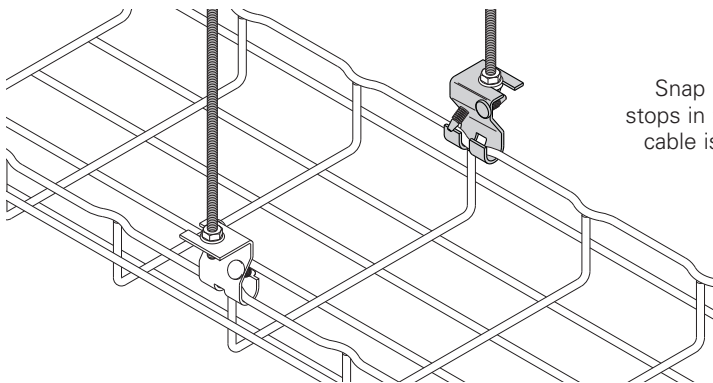
Snap retainer stops in place after cable is loaded.



Trapeze Support

- Trapeze Clip installs fast
- For use with trays up to 4" (100mm) deep, 12" (300mm) wide, and spans up to 8'-0" (2.44m)
- Tray can be released from support to allow side cable loading
- Accepts 1/4" and 3/8" threaded rod sizes
- Finishes __: **GS**, BLE

Part Number	Description	Qty./Box	Wt./Box	
			lbs.	kg
TRAPEZE SUPT2__	Trapeze Support Clip	50 trapeze clips 100 retainer stops	7.0	3.17



Snap retainer stops in place after cable is loaded.



See page 4 for finish information

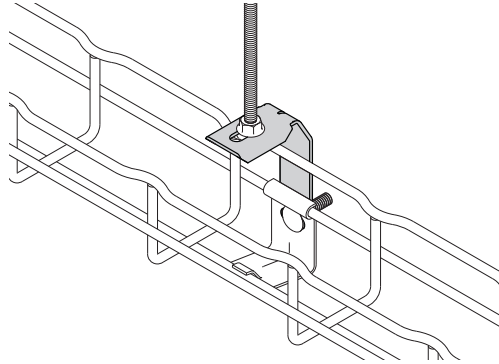
2" Center Hanger

Part Number	Description	Qty./Box	Wt./Box	
			lbs.	kg
2 IN CTR SUPT__	Center Support Hanger for FT2x2	50	5.0	2.27

- For use with 2" (50mm) tray widths only
- Accepts 1/4" threaded rod
- Hardware sold separately
- Finishes __: **GS**, BLE



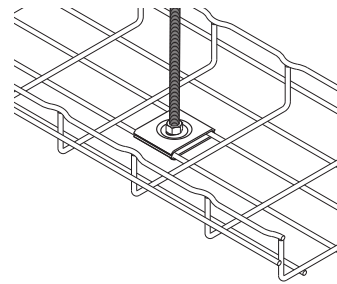
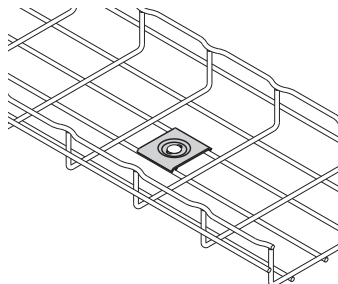
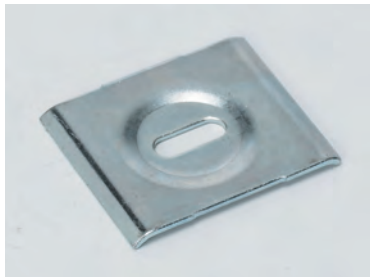
Assemble with ATTACHMENT CLP & FTHDWE 1/4 hardware.



Hold Down Plate

Part Number	Description	Qty./Box	Wt./Box	
			lbs.	kg
SUPT WASHER__	.28" x .70" 7.1mm x 17.8mm	50	4.7	2.13
FTA6HD__	.40" x .70" 10.1mm x 17.8mm	50	3.5	1.59

- Easy way to mount 4" (100mm) wide tray for raceway run.
- Use 1/4" screws to attach SUPT WASHER to your specific wall/stud application (hardware sold separately).
- FTA6HD can be used in pairs to create a center-hung support using 3/8" rod.
- To protect cables use threaded rod protector (page 21).
- To complete 3/8" center hanger assembly use:
 - 2 - FTA6HD
 - 2 - HN 3/8"-16 hex nuts
- Finish: **ZN**, SS6

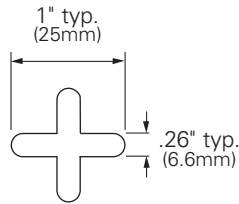
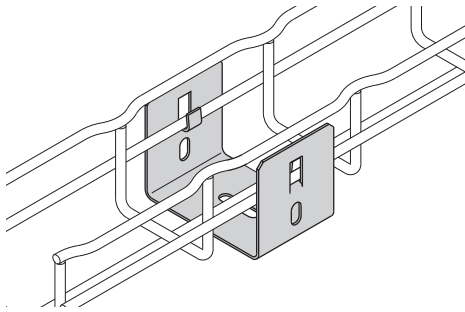


See page 4 for finish information

Mounting Bracket

- Designed to support FT2X2X10 Flextray
- Click tabs for FLEXTRAY attachment
- Use 1/4" hardware and washer (not included) to mount bracket
- Finishes __: **SS6**

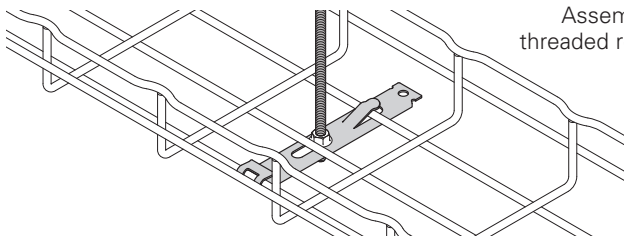
Part Number	Description	Qty./Box	Wt./Box lbs.	kg
FTB2UB__	Light Duty Wall/Rack Bracket	10	2.1	0.95



- Use for light duty cabling applications
- For use with 1 1/2" (38mm) & 2" (51mm) deep tray with 4" (100mm) and 6" (150mm) widths
- When hanging 4" (100mm) wide tray, center hung clip must be run parallel with the tray
- Built-in hold down tab
- Accepts 1/4" threaded rod
- Threaded rod and nuts sold separately
- Finishes __: **GS**, BLE

Center Hung Clip

Part Number	Description	Qty./Box	Wt./Box lbs.	kg
CTR HUNG CLP__	Light Duty Center Hanger	50	4.0	1.81



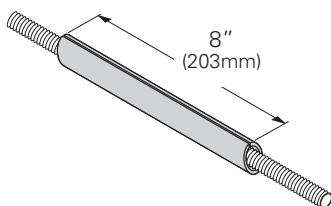
Assemble with 1/4" threaded rod and finned nut



- Use to protect cables from 1/4" to 1/2" threaded rod
- PVC UL94V-O material
- Color: Gray
- Not plenum rated

Threaded Rod Protector

Part Number	Description	Qty./Box	Wt./Box lbs.	kg
SB301-1/2x8__	Rod Protector	1	0.03	0.013

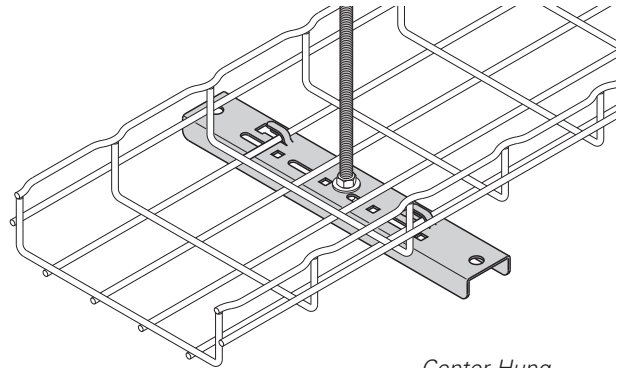


See page 4 for finish information

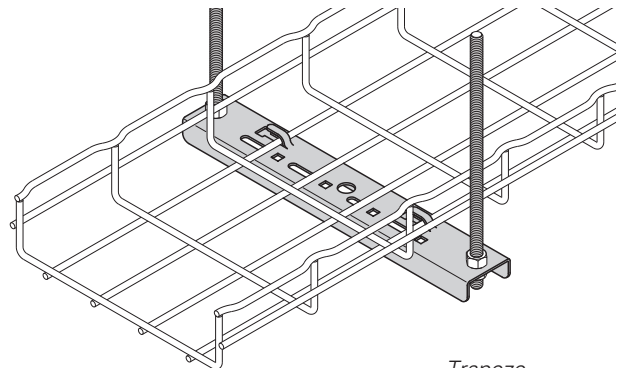
Center Trapeze Hanger

Part Number	Maximum Tray Width		Actual Length		Wt./Pc.	
	in.	mm	in.	mm	lbs.	kg
FTB06CT	6"	150	9.78"	248	0.61	0.27
FTB08CT	8"	200	11.75"	298	0.74	0.33
FTB12CT	12"	300	15.69"	398	0.98	0.44
FTB16CT	16"	400	19.63"	498	1.61	0.73
FTB18CT	18"	450	21.59"	548	1.77	0.80
FTB20CT	20"	500	23.56"	598	1.93	0.87
FTB24CT	24"	600	27.50"	698	2.25	1.02

- Can be installed as center-hung or traditional trapeze hanger
- Multiple options to secure FLEXTRAY to hanger
 - Built in hold down tabs (use screwdriver to bend down tab)
 - Compatible with TOOLLESS CLIP with snap-in locking pin
 - Compatible with WBUHD hold down clip when tray crosswire is aligned over top of hanger
 - Slots and holes for optional hardware attachment
- Corrosion resistant pre-galvanized zinc finish (other finishes available upon request)
- Center hole for up to 1/2" rod
- Hole on each end for up to 3/8" rod
- Threaded rod protector available (SB301-1/2 x 8) see page 21
- When 1/2" trapeze rods are required, add -1/2 to end of part number when ordering



Center Hung



Trapeze

See page 4 for finish information

KwikWire™ Clamps & Wire Rope

- KwikWire system replaces jack chain or ATR to support lighting, ductwork, and FLEXTRAY.
- Can be quickly installed around beams - No drilling required.
- Ideal for sloped ceilings - can hang objects at up to 60° angles.
- Simple height adjustments are made by releasing locking tab, no tools required.
- Spools of wire can be cut to length in field, reducing waste and up front planning.

Part No.	Clamps - For Use With Wire Rope Diameters	Box Qty.
BKC100	1/16" 1.6mm & 3/32" 2.3mm	100
BKC200	1/8" 3.2mm & 3/16" 4.7mm	50



Part No.	Rope Dia.		Working Load		Spool
	in.	mm	Lbs.	kg	
BKW063 ⁽¹⁾	1/16"	1.6	96	43.5	500 ft.
BKW094 ⁽¹⁾	3/32"	2.3	184	83.4	500 ft.
BKW125 ⁽¹⁾	1/8"	3.2	340	154.2	500 ft.
BKW188 ⁽²⁾	3/16"	4.8	840	381.0	250 ft.



Wire Rope Construction



(1) 7 x 7



(2) 7 x 19

KwikWire Clamp Working Loads*

Clamp Part No.	Wire Rope Dia.	Lbs. Safety Factor 5
BKC100	1/16"	0-75
BKC100	3/32"	25-150
BKC200	1/8"	25-250
BKC200	3/16"	50-640

* Working loads shown are for hanging vertically. For suspending at 15°, 30°, 45° or 60° angles from vertical, use the following percentage of the working loads from the chart:

15° = 96%
 30° = 86%
 45° = 70%
 60° = 50%

Cutter Part No.	Box Qty.
BKCC	1



KwikPak™ Wire Rope & Clamps

Part No.	For Use With Wire Rope Diameters	Box Qty.
BKP10063	BKC100 (100 pcs.) 1/16" Ø Wire Rope (500 ft.)	1
BKP10094	BKC100 (100 pcs.) 3/32" Ø Wire Rope (500 ft.)	1
BKP20125	BKC200 (50 pcs.) 1/8" Ø Wire Rope (500 ft.)	1
BKP20188	BKC200 (50 pcs.) 3/16" Ø Wire Rope (250 ft.)	1



See page 4 for finish information

KwikWire™ Accessory Features

- Reduces on the job installation time
- Can be installed quickly without drilling into existing structure
- Increases versatility in the field
- KwikWire accessory system reduces inventory and shipping costs
- No more sawing, filing, or fixing nuts
- Designed for use with cable tray, lighting, and HVAC
- Eliminates the need for all threaded rod
- Cost effective solution for jack chain
- "Y" style accessories require 50% less drilling



KwikWire Accessory Numbering System

Product Line	Assembly Configuration	Leg Termination	Leg Length	Wire Rope Diameter	Straight Length	Assembly or Kit
BK = KwikWire	Blank = Single Leg Y = 2 Legs 3 - 3 Legs	A = Angle Bracket w/Pin H = Hook L = Loop T = Toggle W = Fuse Cut B25 = Bolt w/ 1/4"-20 Thread B38 = Bolt w/ 3/8"-16 Thread BM6 = Bolt w/ M6 Thread BM8 = Bolt w/ M8 Thread BM10 = Bolt w/ M10 Thread	Blank = See Straight Length 18 = 18" Leg 30 = 30" Leg	063 = 1/16" 094 = 3/32"	Blank = Loop w/ Plastic Tube 18 = 18" 30 = 30" 40 = 40" 80 = 80" 120 = 120" 180 = 180" 240 = 240" 360 = 360"	Blank = Assembly Only K = Kit (Assembly & BKC100 Clamp)

Examples

BKYT18-094-120K



KwikWire Accessory

2 legs - toggle leg termination - 18" legs - 1/16" diameter wire - 120" straight length - kit with clamp

BKL-063-120K



KwikWire Accessory

single leg - looped leg termination - 1/16" diameter wire - 120" straight length - kit with clamp

See page 4 for finish information

KwikWire™ 'Y' Style Hook Termination

Part No.	Leg Length		Wire Rope Dia.		Length	
	in.	mm	in.	mm	in.	mm
BKYH18-094-40	18"	457	3/32"	2.3	40"	1016
BKYH18-094-80	18"	457	3/32"	2.3	80"	2032
BKYH18-094-120	18"	457	3/32"	2.3	120"	3048
BKYH18-094-180	18"	457	3/32"	2.3	180"	4572
BKYH18-094-240	18"	457	3/32"	2.3	240"	6096
BKYH18-094-360	18"	457	3/32"	2.3	360"	9144
BKYH30-094-40	30"	762	3/32"	2.3	40"	1016
BKYH30-094-80	30"	762	3/32"	2.3	80"	2032
BKYH30-094-120	30"	762	3/32"	2.3	120"	3048
BKYH30-094-180	30"	762	3/32"	2.3	180"	4572
BKYH30-094-240	30"	762	3/32"	2.3	240"	6096
BKYH30-094-360	30"	762	3/32"	2.3	360"	9144



Box Quantity - 10
5 bags containing 2 pieces per bag

KwikWire™ 'Y' Style Hook Termination With Loop

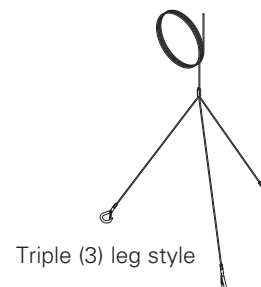
Part No.	Wire Rope Dia.		Length	
	in.	mm	in.	mm
BKYH18-094	3/32"	2.3	18"	457
BKYH30-094	3/32"	2.3	30"	762



Box Quantity - 10
5 bags containing 2 pieces per bag

- Hook designed to connect up to 3/8" diameter wire.
- Available as a wire rope with hook termination only or as a ready-to-use kit with a BKC100 clamp.
- Available in lengths of 40", 80", 120", 180", 240", and 360".
- Available in single, double (Y), and triple (3) leg styles

For more information on KwikWire accessories see the KwikWire catalog.



See page 4 for finish information