

# Fiberglass Tray - Accessories

## Part Number with Hardware Explanation

Note: All hardware is 3/8"

Hardware Option	316 Stainless Steel
	SS6

**Example:** 9F-4004 SS6: pair of 4-hole splice plates for 4" (101) system with stainless steel hardware

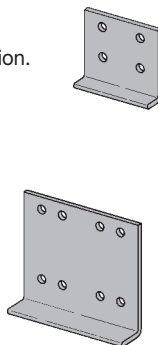
9FV-8006 SS6: pair of 8-hole vinyl ester splice plates for 6" (152) system with stainless steel hardware

## Standard Lay-In Splice Plates

Included in needed quantities with tray section.

- Furnished in pairs
- Order only pairs of splice plates needed for field fabrication.
- SS6 hardware supplied as standard - use SS6 suffix.
- Other hardware available, specify by hardware suffix. Hardware other than SS6 is considered special.

Material	Height	Catalog No.
Fiberglass	3" (76)	9(Δ)-4003SS6
	4" (101)	9(Δ)-4004SS6
	6" (152)	9(Δ)-8006SS6
	8" (203)	9(Δ)-8008SS6

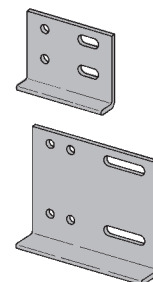


## Expansion Splice Plate

L-shaped, lay-in style

- Furnished in pairs

Material	Height	Catalog No.
Fiberglass	3" (76)	9(Δ)-4013SS6
	4" (101)	9(Δ)-4014SS6
	6" (152)	9(Δ)-8016SS6
	8" (203)	9(Δ)-8018SS6

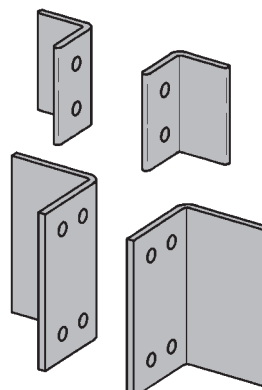


## Tray to Box Splice Plates

These plates are used to attach the end of a tray run to a distribution box or control center.

- Furnished in pairs

Material	Height	Catalog No.
Fiberglass	3" (76)	9(Δ)-4053SS6
	4" (101)	9(Δ)-4054SS6
	6" (152)	9(Δ)-8056SS6
	8" (203)	9(Δ)-8058SS6

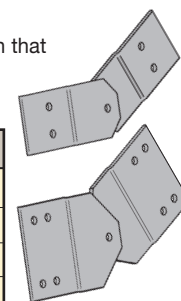


## Vertical Adjustable Splice Plates

These plates provide for changes in elevation that do not conform to standard vertical fittings.

- Furnished in pairs

Material	Height	Catalog No.
Fiberglass	3" (76)	9(Δ)-4023SS6
	4" (101)	9(Δ)-4024SS6
	6" (152)	9(Δ)-8026SS6
	8" (203)	9(Δ)-8028SS6

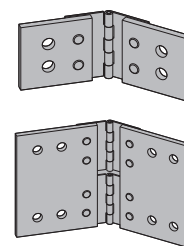


## Horizontal Adjustable Splice Plates

These plates provide for changes in the horizontal direction that do not conform to standard fittings.

- Furnished in pairs
- Stainless steel hinges, FRP body

Material	Height	Catalog No.
Fiberglass	3" (76)	9(Δ)-4033SS6
	4" (101)	9(Δ)-4034SS6
	6" (152)	9(Δ)-8036SS6
	8" (203)	9(Δ)-8038SS6

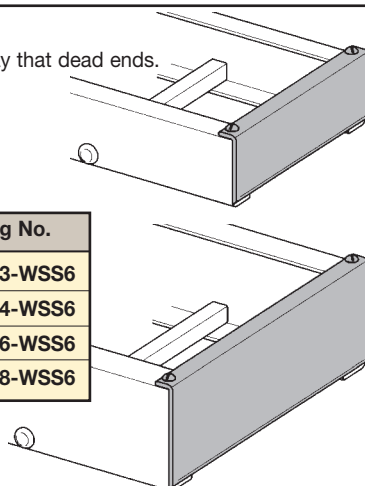


## Blind End Plate

This plate forms a closure for any tray that dead ends.

- Furnished as one plate
- W = tray width

Material	Height	Catalog No.
Fiberglass	3" (76)	9(Δ)-1083-WSS6
	4" (101)	9(Δ)-1084-WSS6
	6" (152)	9(Δ)-1086-WSS6
	8" (203)	9(Δ)-1088-WSS6

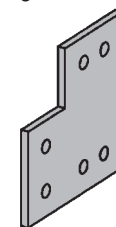


## Step Down Splice Plates

These splice plates provide for changes in side rail heights.

- Furnished in pairs

Material	Height	Catalog No.
Fiberglass	8" to 6" (203 to 152)	9(Δ)-8086SS6
	8" to 4" (203 to 101)	9(Δ)-8084SS6
	6" to 3" (152 to 76)	9(Δ)-8063SS6
	6" to 4" (152 to 101)	9(Δ)-8064SS6
	4" to 3" (101 to 76)	9(Δ)-4043SS6



(Δ) See page 348 for material selection

Dimensions shown in parentheses are in millimeters, unless otherwise specified.

# Fiberglass Tray - Accessories

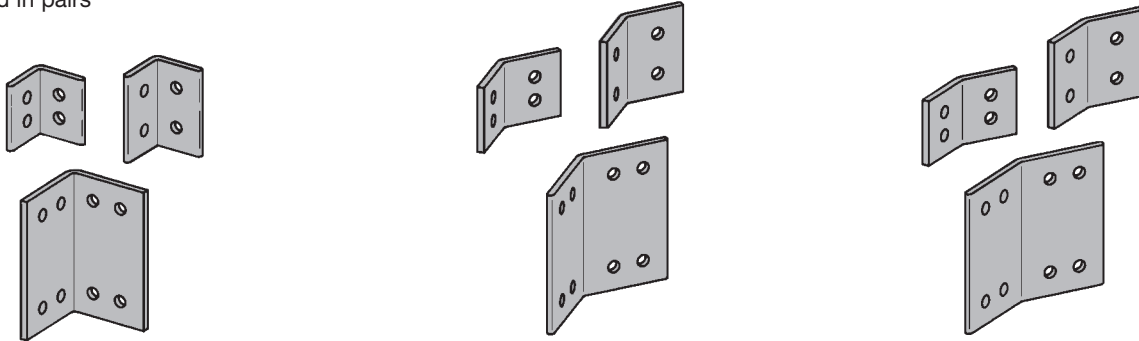
## Horizontal and Vertical Splice Plates

All splice plate hardware is  $\frac{3}{8}$ ".

All hardware is SS6 (Stainless Steel 316).

### Horizontal Splice Plates

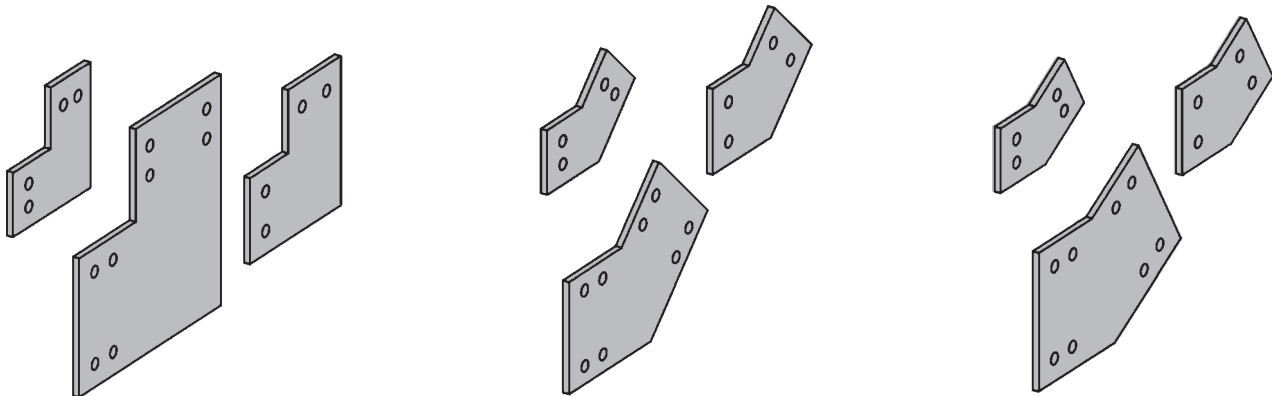
• Furnished in pairs



Catalog No. 90°	Catalog No. 45°	Catalog No. 30°
9(Δ)-4903HSS6	9(Δ)-4453HSS6	9(Δ)-4303HSS6
9(Δ)-4904HSS6	9(Δ)-4454HSS6	9(Δ)-4304HSS6
9(Δ)-8906HSS6	9(Δ)-8456HSS6	9(Δ)-8306HSS6
9(Δ)-8908HSS6	9(Δ)-8458HSS6	9(Δ)-8308HSS6

### Vertical Splice Plates

• Furnished in pairs



Catalog No. 90°	Catalog No. 45°	Catalog No. 30°
9(Δ)-4903VSS6	9(Δ)-4453VSS6	9(Δ)-4303VSS6
9(Δ)-4904VSS6	9(Δ)-4454VSS6	9(Δ)-4304VSS6
9(Δ)-8906VSS6	9(Δ)-8456VSS6	9(Δ)-8306VSS6
9(Δ)-8908VSS6	9(Δ)-8458VSS6	9(Δ)-8308VSS6

Standard lay-in splice plates with SS6 hardware included with tray sections.

Splice Plates are available in pairs and are a separate order item. They are not automatically supplied with tray sections.

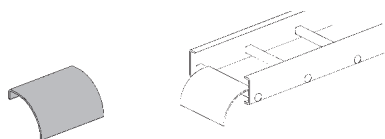
(Δ) See page 348 for material selection

# Fiberglass Tray - Accessories

## Ladder Drop-Out

Specially-designed Ladder Drop-Outs provide a rounded surface with adequate radius to protect cable as it exits from the tray, preventing damage to insulation.

- 4" (101) radius
- W = tray width



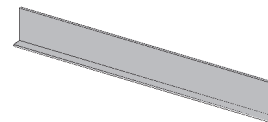
Catalog No.

9(Δ)-1104-W

## Barriers

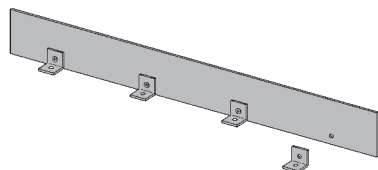
- Furnished with #10 x 1/2" self-drilling stainless steel screws

Catalog No.	Side Rail Height	
	in.	mm
72(Δ)-120	3"	(76)
73(Δ)-120	4"	(101)
75(Δ)-120	6"	(152)
77(Δ)-120	8"	(203)



## Flexible Horizontal Barrier Kit

One kit allows up to a 36" (914) radius position of the barrier.



### Kit Contents:

- 1 pc — 72" (1829) Straight Barrier
- 4 pc — 9F-9002 Barrier Strip Clip
- 8 pc — Thermo Plastic Drive Rivet
- 4 pc — #10 x 3/4" Stainless Steel Self-Drilling Screw

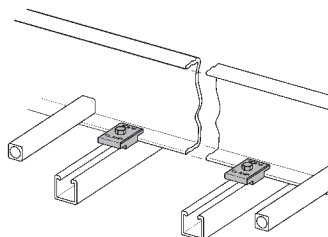
Assembly required — directions included.

Catalog No.	Side Rail Height	
	in.	mm
72(Δ)-90HBFL	3"	(76)
73(Δ)-90HBFL	4"	(101)
75(Δ)-90HBFL	6"	(152)
77(Δ)-90HBFL	8"	(203)

## Clamp/Guide - Fiberglass

Nonmetallic

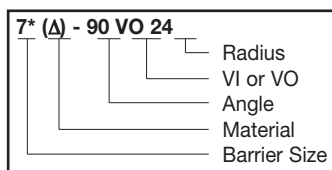
- Designed for 3/8" hardware - not included
- Combination hold down clamp and guide
- Material: Glass reinforced polyurathane
- Sold in pairs



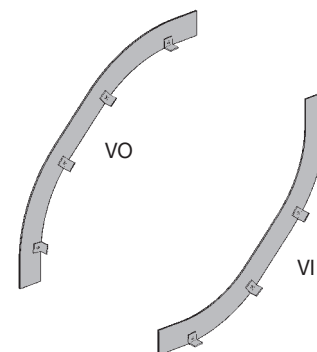
Catalog No.

9F-1208

## Vertical Bend Barriers



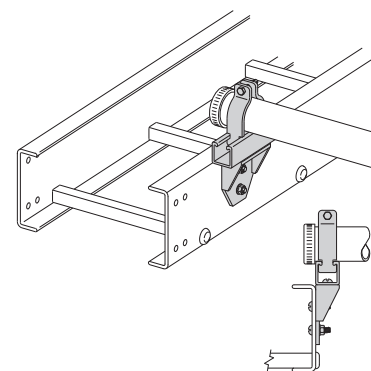
- \* Insert 2 for 3" (76) siderail height
- 3 for 4" (101) siderail height
- 5 for 6" (152) siderail height



## Fiberglass Conduit to Cable Tray Adapter

- For rigid or PVC conduit
- Standard hardware is 316 stainless steel
- Add 'N' to end of part number if non-metallic hardware is preferred

Catalog No.	Conduit Size	
	in.	mm
9FV-2008	0.50	15
9FV-2009	0.75	20
9FV-2010	1.00	25
9FV-2011	1.25	32
9FV-2012	1.50	40
9FV-2013	2.00	50
9FV-2014	2.50	65
9FV-2015	3.00	80
9FV-2016	3.50	90
9FV-2017	4.00	100



## Resin Seal Kit

To reseal fiberglass after field modifications.

- 1 pint (473ml)

Contents: Sealant and Applicator.



Catalog No.

RSK-010

Dimensions shown in parentheses are in millimeters, unless otherwise specified.