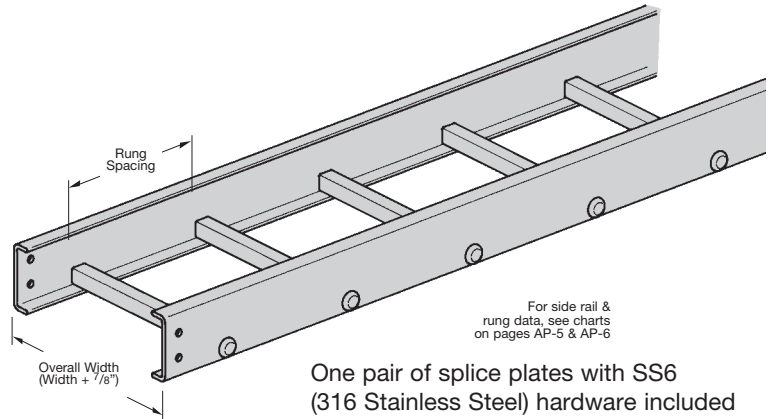
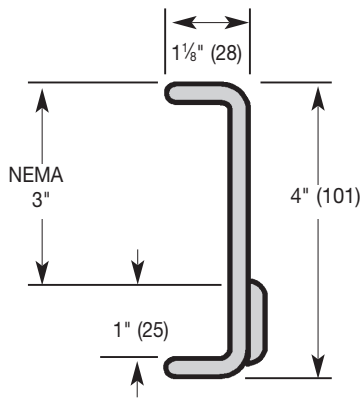


# Fiberglass - 4" Straight Section




## Series 24 Fiberglass Straight Section Part Numbering

Prefix  
Example: **24 F 09 - 24 - 120**

Series	Material	Type	Width	Length
<b>24</b>	<ul style="list-style-type: none"> <li>● <b>F</b> = Polyester</li> <li>● <b>FV</b> = Vinyl Ester</li> <li>● <b>FA</b> = Zero Halogen/Dis-Stat</li> </ul>	<b>Ladder -</b> <ul style="list-style-type: none"> <li>● <b>06</b> = 6" rung spacing</li> <li>● <b>09</b> = 9" rung spacing</li> <li>● <b>12</b> = 12" rung spacing</li> </ul>	<ul style="list-style-type: none"> <li>● <b>06</b> = 6"</li> <li>● <b>09</b> = 9"</li> <li>● <b>12</b> = 12"</li> <li>● <b>18</b> = 18"</li> <li>● <b>24</b> = 24"</li> <li>● <b>30</b> = 30"</li> <li>● <b>36</b> = 36"</li> </ul>	<ul style="list-style-type: none"> <li>● ① <b>120</b> = 10 ft.</li> <li>● ② <b>240</b> = 20 ft.</li> </ul> <p>①Primary Length. ②Secondary Length.</p> <p>See page 39 for explanation of lengths.</p>

FA = Zero Halogen/Dis-Stat is



See page 355 for additional rung options.

B-Line Series	Side Rail Dimensions	NEMA & CSA Classifications	Span ft	Load lbs/ft	Deflection Multiplier	Span meters	Load kg/m	Deflection Multiplier
<b>24F 24FV</b>		NEMA: <b>12C</b> CSA: E-3m	6	627	0.001	1.8	933	0.023
			8	353	0.004	2.4	525	0.074
			10	226	0.011	3.0	336	0.182
			12	157	0.022	3.7	233	0.378

B-Line Series	Side Rail Dimensions	NEMA & CSA Classifications	Span ft	Load lbs/ft	Deflection Multiplier	Span meters	Load kg/m	Deflection Multiplier
<b>24FA</b>		NEMA: <b>12C</b> CSA: E-3m	6	400		1.8	595	
			8	226		2.4	336	
			10	144		3.0	214	
			12	100		3.7	149	

Values are based on simple beam tests per NEMA VFG-1 on 36" wide cable tray rungs spaced on 12" centers. Published load safety factor is 1.5. To convert 1.5 safety factor to 2.0, multiply published load by 0.75. To obtain mid-span deflection, multiply a load by the deflection multiplier. Cable tray must be supported on spans shorter than or equal to the length of the cable being installed.

When trays are used in continuous spans, the deflection of the tray is reduced by as much as 50%.

Dimensions shown in parentheses are in millimeters, unless otherwise specified.

● Green = Fastest shipped items    ● Black = Normal lead-time items    ● Red = Normally long lead-time items