

# Pipe Hangers

**Fig. B3100 - Standard Clevis Hanger (TOLCO Fig.1)**

**SLIDE-RITE™ Clevis Hanger Features**

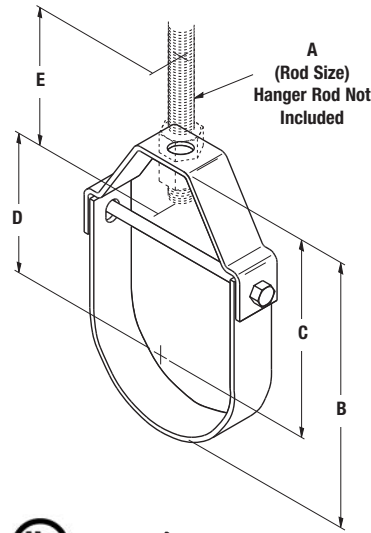
Pipe will not 'pinch' when installing.

15° swing in either direction allows pipe to easily feed thru.

Engineered design aligns bolt holes for quicker overhead installation.

\*SLIDE-RITE™ Clevis Hanger design, as shown below, for sizes 2, 2½, 3, 4, 5 & 6.

Pat. No. 5,848,770  
5,924,655



Component of State of California OSHPD Approved Seismic Restraints System

- B Bottom of pipe to top of hanger.
- C Center of pipe to top of hanger.
- D Rod Take-Out Center of pipe to bottom of hanger.
- E Minimum thread length of hanger rod
- F Adjustment Top of cross bolt to bottom of hanger rod nut inside the hanger.



Pipe Hangers

Part No.	Nominal Pipe Size		Rod Size A		B		C		D	
	in.	(mm)	Std	NFPA**	in.	(mm)	in.	(mm)	in.	(mm)
B3100-1/2	1/2"	(15)	3/8"-16	3/8"-16	2 1/8"	(54.0)	1 11/16"	(42.9)	15 1/16"	(23.8)
B3100-3/4	3/4"	(20)	3/8"-16	3/8"-16	2 7/16"	(61.9)	1 7/8"	(47.6)	1 1/8"	(28.6)
B3100-1	1"	(25)	3/8"-16	3/8"-16	2 13/16"	(71.4)	2 1/8"	(54.0)	1 3/8"	(34.9)
B3100-1 1/4	1 1/4"	(32)	3/8"-16	3/8"-16	3 7/16"	(87.3)	2 9/16"	(65.1)	1 13/16"	(46.0)
B3100-1 1/2	1 1/2"	(40)	3/8"-16	3/8"-16	4"	(101.6)	3"	(76.2)	2 1/4"	(57.1)
B3100-2 *	2"	(50)	3/8"-16	3/8"-16	4 1/2"	(114.3)	3 1/4"	(82.5)	2 1/2"	(63.5)
B3100-2 1/2 *	2 1/2"	(65)	1/2"-13	3/8"-16	5 9/16"	(141.3)	4"	(101.6)	3 1/16"	(77.8)
B3100-3 *	3"	(80)	1/2"-13	3/8"-16	6 3/4"	(171.4)	4 7/8"	(123.8)	3 15/16"	(100.0)
B3100-3 1/2	3 1/2"	(90)	1/2"-13	3/8"-16	7"	(177.8)	5"	(127.0)	4 1/16"	(103.2)
B3100-4 *	4"	(100)	5/8"-11	3/8"-16	7 13/16"	(198.4)	5 1/2"	(139.7)	4 3/8"	(111.1)
B3100-5 *	5"	(125)	5/8"-11	1/2"-13	9 1/16"	(230.2)	6 1/8"	(155.6)	5"	(127.0)
B3100-6 *	6"	(150)	3/4"-10	1/2"-13	10 7/16"	(265.1)	6 15/16"	(176.2)	5 11/16"	(144.5)
B3100-8	8"	(200)	3/4"-10	1/2"-13	12 3/4"	(323.8)	8 3/8"	(212.7)	7 1/8"	(181.0)
B3100-10	10"	(250)	7/8"-9	5/8"-11	15 1/4"	(387.3)	9 13/16"	(249.2)	8 3/8"	(212.7)
B3100-12	12"	(300)	7/8"-9	5/8"-11	17 5/8"	(447.7)	11 3/16"	(284.2)	9 11/16"	(246.1)
B3100-14	14"	(350)	1"-8	--	19 9/16"	(496.9)	12 1/2"	(317.5)	10 5/8"	(269.9)
B3100-16	16"	(400)	1"-8	--	21 7/16"	(544.5)	13 5/16"	(338.1)	11 9/16"	(293.7)
B3100-18	18"	(450)	1"-8	--	25"	(635.0)	15 7/8"	(403.2)	14 3/16"	(360.3)
B3100-20	20"	(500)	1 1/4"-7	--	27 1/2"	(698.5)	17 3/8"	(441.3)	16 5/8"	(422.3)
B3100-24	24"	(600)	1 1/4"-7	--	31 3/4"	(806.4)	19 5/8"	(498.5)	18 5/8"	(473.1)
B3100-30	30"	(750)	1 1/4"-7	--	38 7/8"	(987.3)	23 3/4"	(603.2)	22 3/4"	(577.8)
B3100-36	36"	(900)	1 1/4"-7	--	46"	(1168.4)	27 13/16"	(706.4)	25"	(635.0)

All dimensions in charts and on drawings are in inches. Dimensions shown in parentheses are in millimeters unless otherwise specified.