

# Beam Clamps

## B3034 - C-Clamp

**Size Range:** 3/8"-16 thru 3/4"-10 rod

**Material:** Cast Malleable Steel with hardened cup point set screw and jam nut

**Function:** Recommended for hanging from steel beam where flange thickness does not exceed 3/4" (19.0mm).

**Features:** May be used on top or bottom flange of the beam. Beveled lip allows hanging from top flange where clearance is limited. may be installed with the set screw in the up or down position. Offset design permits unlimited rod adjustment by allowing the rod to be threaded completely through the clamp. The rear window design permits inspection of thread engagement.

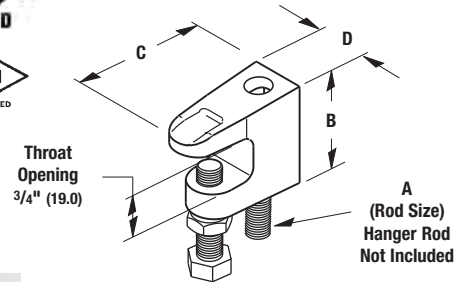
**Approvals:** Underwriters Laboratories Listed and Factory Mutual Engineering Approved for 3/8"-16 and 1/2"-13 rod sizes. Conforms to Federal Specification WW-H-171E & A-A-1192A, Type 19 & 23 and Manufacturers Standardization Society ANSI/MSS SP-69 & SP-58, Type 19 & 23. 3/8"-16 is (cULus) Listed to support up to 4" (100mm) pipe with the set screw in the down position, up to 3" (75mm) pipe with the set screw in the up position. 1/2"-13 is (cULus) Listed to support up to 8" (200mm) pipe with the set screw in the down position, up to 6" (150mm) pipe with the set screw in the up position.

**Finish:** Plain. Contact B-Line for alternative finishes and materials.

**Order By:** Part number and finish



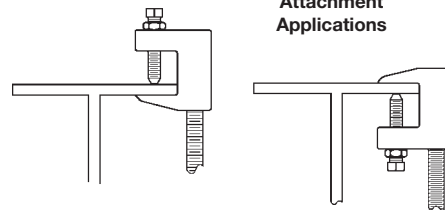
B3034-3/8" and B3034-1/2" sizes  
Attach only as shown.



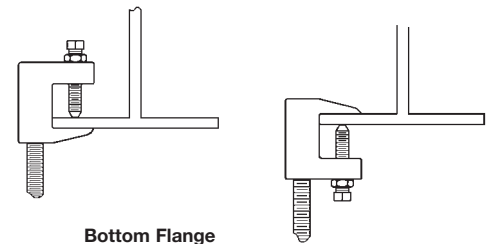
Set Screw and  
Locknut Included



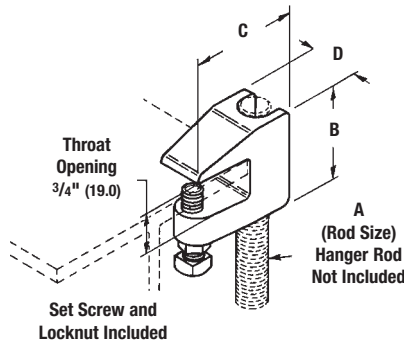
Top Flange  
Attachment  
Applications



Bottom Flange  
Attachment  
Applications



B3034-5/8" and B3034-3/4" sizes  
Attach only as shown.



Part No.	Rod Size A	B		C		D		Design Load with Setscrew		Maximum Iron Pipe Size Per UL		Approx. Wt./100			
		in.	(mm)	in.	(mm)	in.	(mm)	Lbs.	(kN)	Lbs.	(kN)	in.	(mm)	Lbs.	(kg)
B3034-3/8	3/8"-16	15/8"	(41.3)	2"	(50.8)	7/8"	(19.0)	610	(2.71)	610	(2.71)	4"	(100)	30	(13.6)
B3034-1/2	1/2"-13	1 13/16"	(46.0)	2 3/16"	(55.6)	1 3/16"	(30.2)	750	(3.33)	1130	(5.02)	8"	(200)	47	(21.3)
B3034-5/8	5/8"-11	1 3/4"	(44.5)	2 1/8"	(54.0)	1 1/4"	(31.7)	750	(3.33)	1130	(5.02)	--	--	58	(26.3)
B3034-3/4	3/4"-10	2"	(50.8)	2 1/4"	(57.2)	1 1/4"	(31.7)	750	(3.33)	1130	(5.02)	--	--	77	(35.0)

**Note:** See page 27 for recommended setscrew torque.