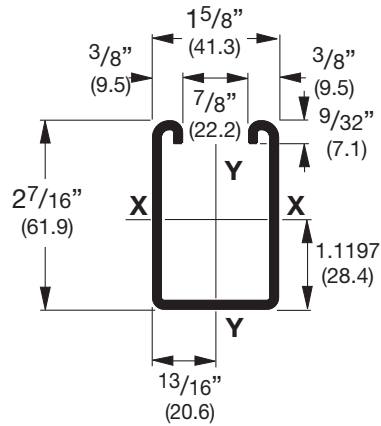
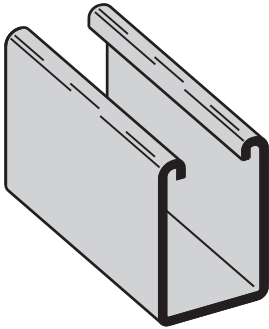


# B12 Channel & Combinations

## B12

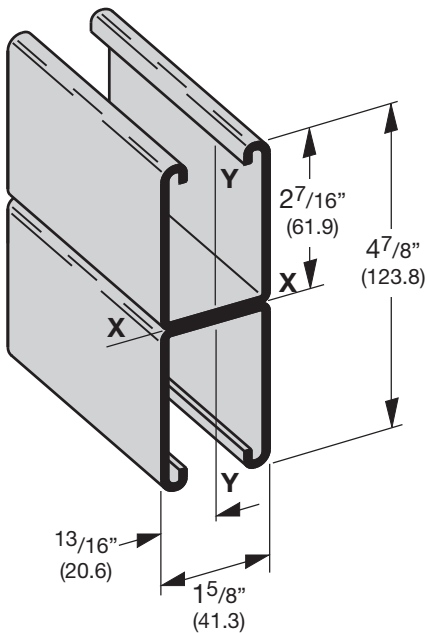
- Thickness: 12 Gauge (2.6 mm)
- Standard lengths: 10' (3.05 m) & 20' (6.09 m)
- Standard finishes: Plain, DURA-GREEN™, Pre-Galvanized, Hot-Dipped Galvanized, Aluminum
- Weight: 2.47 Lbs./Ft. (3.67 kg/m)



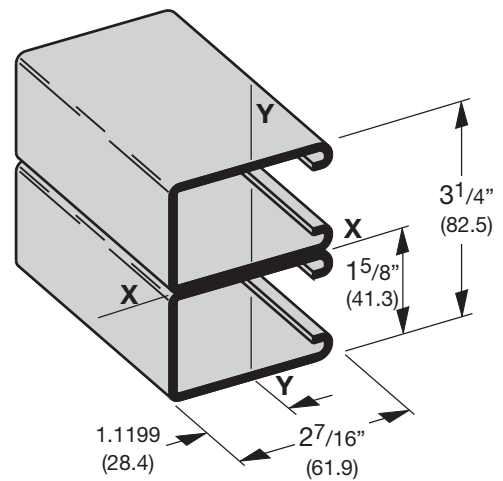
### SECTION PROPERTIES

| Channel     | Weight |        | Areas of Section |        | Moment of Inertia (I) |          | Section Modulus (S) |         | X - X Axis       |                 | Moment of Inertia (I) |         | Y - Y Axis       |                 | Section Modulus (S) |        | Radius of Gyration (r) |        |
|-------------|--------|--------|------------------|--------|-----------------------|----------|---------------------|---------|------------------|-----------------|-----------------------|---------|------------------|-----------------|---------------------|--------|------------------------|--------|
|             |        |        |                  |        |                       |          |                     |         | in. <sup>4</sup> | cm <sup>4</sup> |                       |         | in. <sup>3</sup> | cm <sup>3</sup> |                     |        |                        |        |
| <b>B12</b>  | 2.484  | (3.70) | .731             | (4.71) | .5349                 | (22.26)  | .4061               | (6.65)  | .856             | (2.17)          | .3377                 | (14.06) | .4156            | (6.81)          | .680                | (1.73) | .680                   | (1.73) |
| <b>B12A</b> | 4.969  | (7.40) | 1.462            | (9.43) | 2.9036                | (120.86) | 1.1915              | (19.52) | 1.409            | (3.58)          | .6756                 | (28.12) | .8315            | (13.63)         | .680                | (1.73) | .680                   | (1.73) |

Calculations of section properties are based on metal thicknesses as determined by the AISI Cold-Formed Steel Design Manual.



**B12A**  
Wt. 4.94 Lbs./Ft. (7.35 kg/m)



**B12B**  
Wt. 4.94 Lbs./Ft. (7.35 kg/m)

Reference page 14 for general fitting and standard finish specifications.