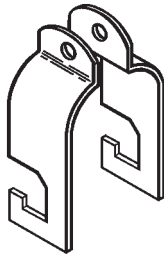


Series 3 & 4 Stainless Steel - Accessories

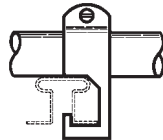
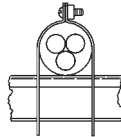
Series 3 & 4 Stainless Steel

Stainless Steel Cable Clamp

- Fits with series 3 & 4 rungs.
- Shipped flat. Field form around the cable at the time of installation.



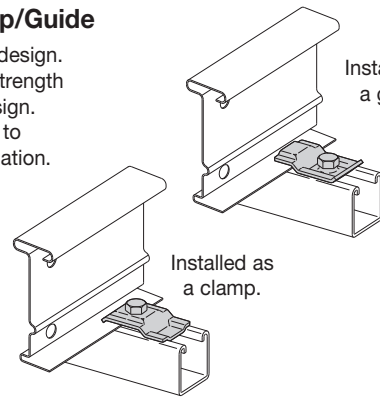
Refer to Section CF
Cable Fixing



Catalog No.	Cable Size	
	in.	mm
● 9SS4-4050	0.50 - 0.75	13 - 19
● 9SS4-4075	0.75 - 1.00	19 - 25
● 9SS4-4100	1.00 - 1.25	25 - 32
● 9SS4-4125	1.25 - 1.50	32 - 38
● 9SS4-4150	1.50 - 1.75	38 - 45
● 9SS4-4175	1.75 - 2.00	45 - 51
● 9SS4-4200	2.00 - 2.25	51 - 57
● 9SS4-4225	2.25 - 2.50	57 - 64
● 9SS4-4250	2.50 - 2.75	64 - 70
● 9SS4-4275	2.75 - 3.00	70 - 76
● 9SS4-4300	3.00 - 3.25	76 - 82
● 9SS4-4325	3.25 - 3.50	82 - 89
● 9SS4-4350	3.50 - 3.75	89 - 95
● 9SS4-4375	3.75 - 4.00	95 - 102
● 9SS4-4400	4.00 - 4.25	100 - 106
● 9SS4-4425	4.25 - 4.50	106 - 113
● 9SS4-4450	4.50 - 4.75	113 - 121
● 9SS4-4475	4.75 - 5.00	121 - 125

Cable Tray Clamp/Guide

- Features a no-twist design.
- Has four times the strength of the traditional design.
- Each side is labeled to ensure proper installation.
- 1/2" hardware size.
- Furnished in pairs without hardware.

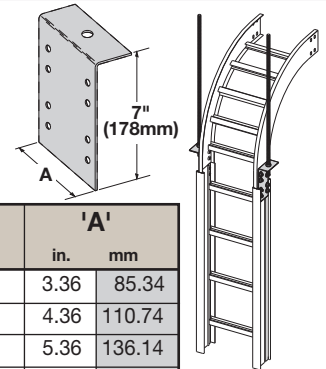


Patent #
RE35479

Catalog No. ● 9SS6-1205

Vertical Tray Hanger

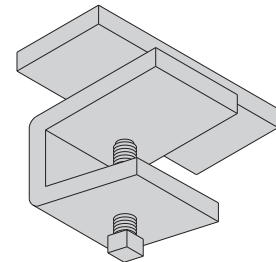
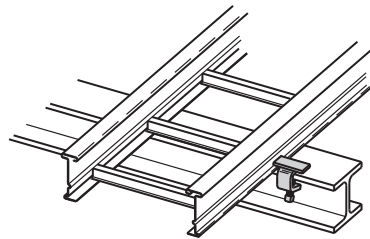
- (*) Insert **SS4** or **SS6**
- Design load 1500 lbs/pair. Safety Factor of 2.5
- Furnished in pairs.
- Hole size: 9/16" (14mm) for 1/2" threaded rod.



Catalog No.	Outside	'A'	
	Cable Tray Ht.	in.	mm
9(*)-8224	4"	3.36	85.34
9(*)-8225	5"	4.36	110.74
9(*)-8226	6"	5.36	136.14
9(*)-8227	7"	6.36	161.54

Cable Tray Guide

- Expansion guide for single or double cable tray runs.
- Guide allows for longitudinal movement of the cable tray.
- No field drilling of support I-beam or channel is required.
- Guides are required on both sides of cable tray to prevent lateral movement - can be placed on either the inside or outside flange of cable tray.
- Guides are sold in pieces - two guides are required per tray.
- Maximum flange thickness 1 1/8" (28.58 mm).



Catalog No.	Finish
● 9G-1249	HDGAF

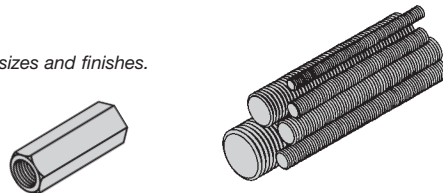
Threaded Rod (ATR) & Rod Coupling

Size	Loading lbs	Catalog No.	Available Lengths	Coupling Cat. No.
3/8-16	730	● ATR 3/8 x Length	36", 72", 144"	● B655-3/8
1/2-13	1350	● ATR 1/2 x Length	36", 72", 144"	● B655-1/2

Loading based on safety factor 5.

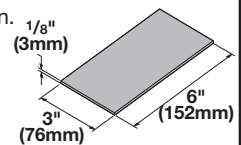
Standard Finish: SS4 or SS6

See B-Line Strut Systems Catalog for other sizes and finishes.



Nylon Pad

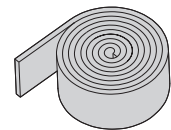
- Use for friction reduction.
- Hardness: Shore D80.
- Low friction coefficient.
- UV resistant.
- Excellent weatherability.
- UL - 94HB.



Cat. No. ● 99-PE36

Neoprene Roll

- Use for material isolation.
- 1/8" x 2" x 25' roll.
- Hardness: Shore A60.
- Good weatherability.



Catalog No. ● 99-NP300

● Green = Fastest shipped items ● Black = Normal lead-time items ● Red = Normally long lead-time items