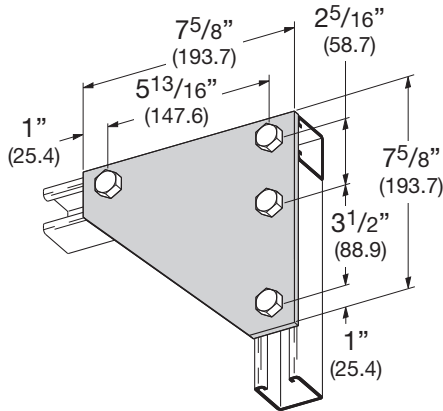


Flat Plate Fittings

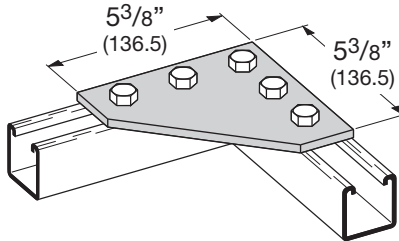
B137 FOUR HOLE CORNER GUSSET PLATE

- Standard finishes: ZN, GRN
- Wt./C 273 Lbs. (123.8 kg)



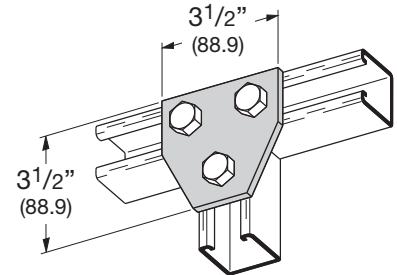
B556 FIVE HOLE CORNER GUSSET PLATE

- Standard finishes: ZN, GRN
- Wt./C 145 Lbs. (65.8 kg)



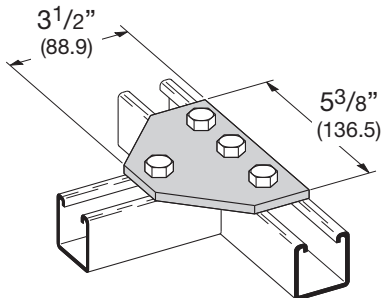
B337 THREE HOLE TEE GUSSET PLATE

- Standard finishes: ZN, GRN
- Wt./C 70 Lbs. (31.7 kg)



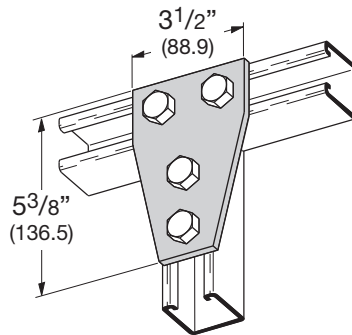
B432 FOUR HOLE TEE GUSSET PLATE

- Standard finishes: ZN, GRN
- Wt./C 100 Lbs. (45.3 kg)



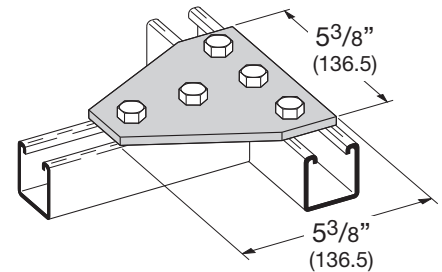
B136 FOUR HOLE TEE GUSSET PLATE

- Standard finishes: ZN, GRN, HDG
- Wt./C 100 Lbs. (45.3 kg)



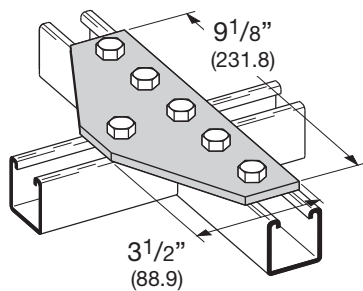
B532 FIVE HOLE TEE GUSSET PLATE

- Standard finishes: ZN, GRN
- Wt./C 143 Lbs. (64.8 kg)



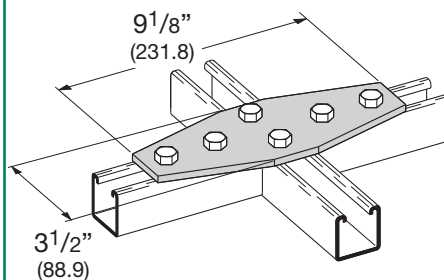
B339 SIX HOLE TEE GUSSET PLATE

- Standard finishes: ZN, GRN
- Wt./C 149 Lbs. (67.6 kg)



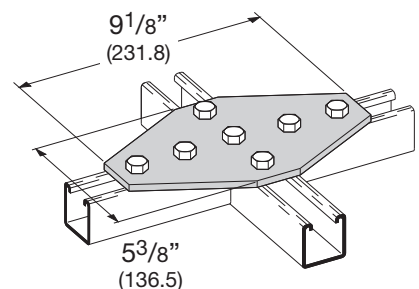
B568 SIX HOLE CROSS GUSSET PLATE

- Standard finishes: ZN, GRN
- Wt./C 166 Lbs. (75.3 kg)



B334 SEVEN HOLE CROSS GUSSET PLATE

- Standard finishes: ZN, GRN
- Wt./C 232 Lbs. (105.2 kg)



Reference page 75 for general fitting and standard finish specifications.