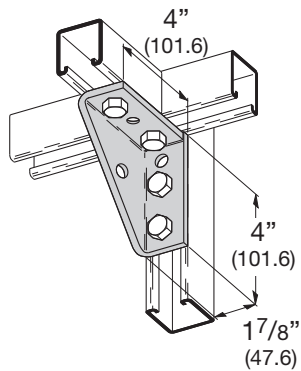


# 90° Angle Fittings

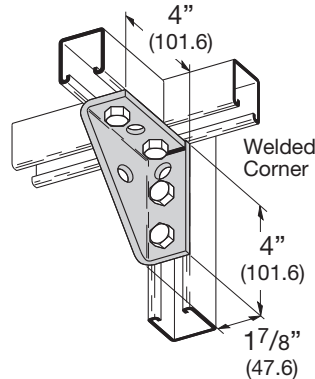
## B844 UNIVERSAL SHELF BRACKET

- Standard finishes: ZN, GRN, HDG, SS4
- Wt./C 132 Lbs. (59.9 kg)



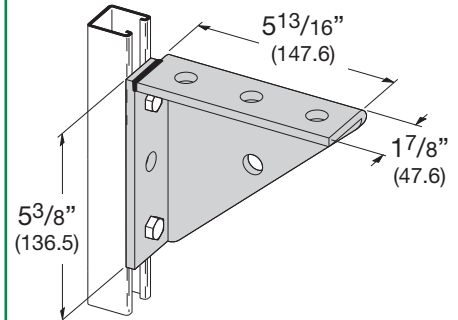
## B844W UNIVERSAL SHELF BRACKET- WELDED

- Standard finishes: ZN, GRN
- Wt./C 134 Lbs. (60.8 kg)



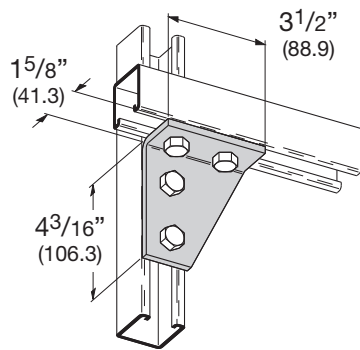
## B888W UNIVERSAL SHELF BRACKET- WELDED

- Standard finishes: ZN, GRN
- Wt./C 197 Lbs. (89.4 kg)



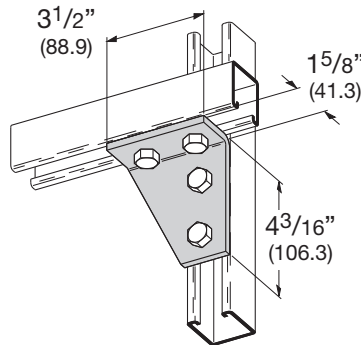
## B234R FOUR HOLE (RIGHT HAND) CORNER GUSSET

- Standard finishes: ZN, GRN, HDG
- Wt./C 100 Lbs. (45.3 kg)



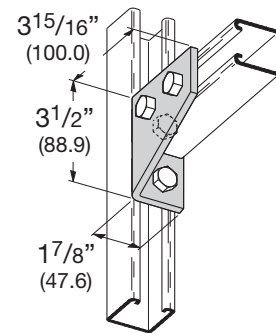
## B234L FOUR HOLE (LEFT HAND) CORNER GUSSET

- Standard finishes: ZN, GRN, HDG
- Wt./C 100 Lbs. (45.3 kg)



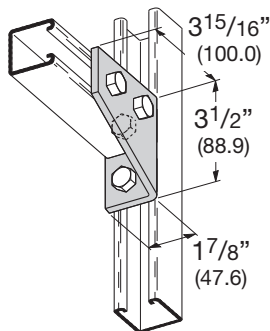
## B134R FOUR HOLE (RIGHT HAND) CORNER GUSSET

- Standard finishes: ZN, GRN
- Wt./C 100 Lbs. (45.3 kg)



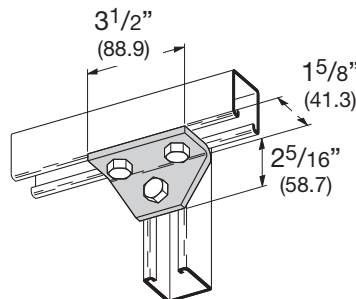
## B134L FOUR HOLE (LEFT HAND) CORNER GUSSET

- Standard finishes: ZN, GRN
- Wt./C 100 Lbs. (45.3 kg)



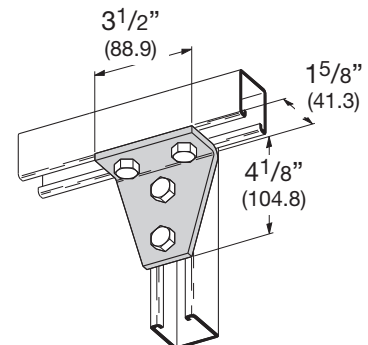
## B125 THREE HOLE GUSSETTED SHELF ANGLE

- Standard finishes: ZN, GRN
- Wt./C 67 Lbs. (30.4 kg)



## B118 FOUR HOLE GUSSETTED SHELF ANGLE

- Standard finishes: ZN, GRN, HDG
- Wt./C 102 Lbs. (46.2 kg)



Reference page 72 for general fitting and standard finish specifications.