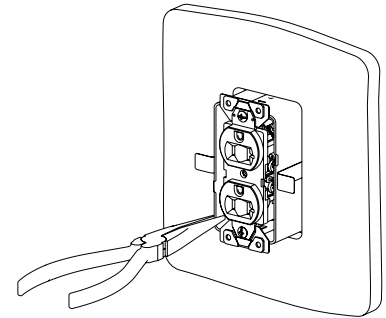
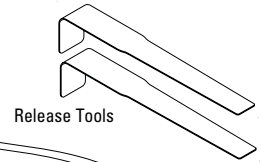
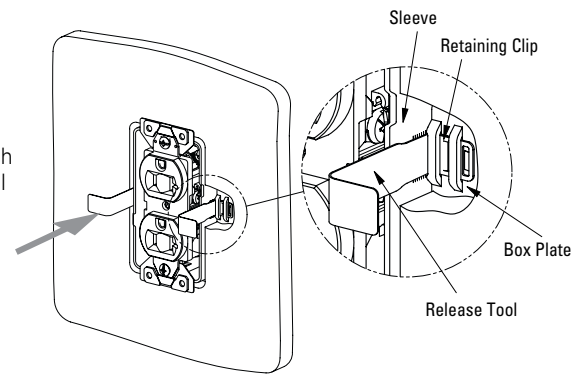


## Push-In Sleeve Adjustment/Removal

Requires (2) pc Release Tool P/N BRRT. Contact Customer Service for ordering information.

- 1) MAKE SURE CIRCUIT IS DE-ENERGIZED.
- 2) Remove wall plate to access wall opening around Sleeve.
- 3) With first Release Tool against outside of Sleeve and centered on wiring device, firmly push Release Tool between Sleeve and Retaining Clip using an up-and-down rocking motion until Release Tool slides past clip, disengaging Retaining Clip from grooves in Sleeve.
- 4) Repeat with second Release Tool on opposite side.
- 5) Using needle nose pliers, carefully pull Sleeve out of Box Plate at each corner until Sleeve is adjusted to desired position or is exposed sufficiently to grasp by hand. Remove using a back-and-forth motion.



**▲ IMPORTANT**

Do not use excessive force while adjusting/removing the Sleeve assembly as this may cause the Sleeve to jam in the opening making it difficult to remove, or result in damage to wall surface, Sleeve, Box Plate, or box mounting bracket.

Do not pull Sleeve out of the Box Plate any more than necessary to unplug wire connector(s) as this may cause damage to the conductor insulation or wire connector(s).

- 6) Unplug wire connector(s).

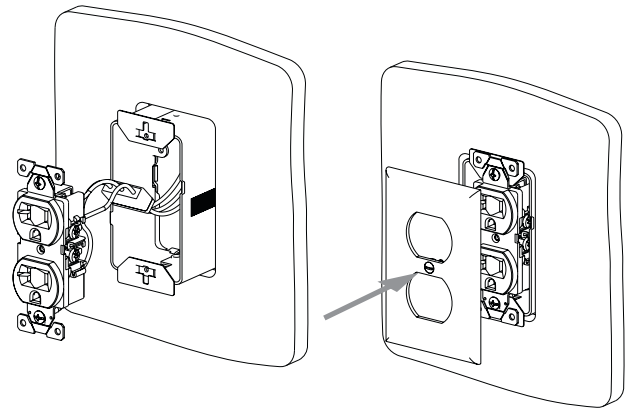
## Wiring Device Replacement

- 1) MAKE SURE CIRCUIT IS DE-ENERGIZED
- 2) Remove wall plate.
- 3) Remove device(s) to replace.

**▲ IMPORTANT**

Do not remove Stop Plates to prevent accidental over-insertion of Sleeve during device removal or replacement.

- 4) Carefully pull wire connector(s) out and unplug connector(s) on wiring device(s).
- 5) Plug in wire connector(s) of replacement prewired wiring device(s).
- 6) Align wiring device(s) with Sleeve and attach using #6 screws supplied with wiring device(s).
- 7) Replace wall plate.



## Sleeve Extender Assembly And Installation

Select appropriate Extender:

Extender Selection	
For Sleeve Catalog No.	Use Extender Catalog No.
B1RRR	B1RRE
B2RRR	B2RRE
B3RRR	B3RRE
B4RRR	B4RRE

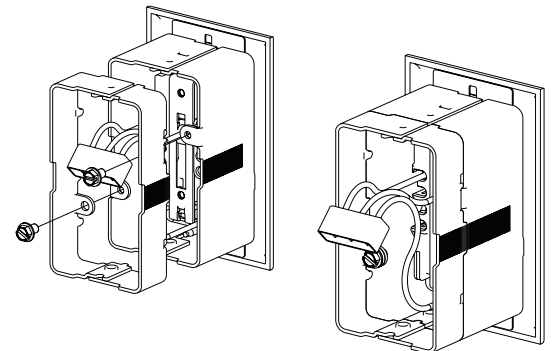
**▲ IMPORTANT**

Use Sleeve Extender only when wall thickness is greater than 1 1/4" and no greater than 2".

- 1) Align Sleeve Extender with back of Sleeve as shown.
- 2) Attach using #8 screws supplied with Sleeve Extender in each mounting position. (see table for number of screws required). Tighten screws to 20 lb-in.

Catalog No.	Screw Qty.
B1RRE	2
B2RRE	2
B3RRE	4
B4RRE	4

- 3) Follow instructions for PUSH-IN SLEEVE ASSEMBLY AND INSTALLATION on previous page for installation in Box Plate.



**Eaton**  
1000 Eaton Boulevard  
Cleveland, OH 44122  
United States  
Eaton.com

© 2014 Eaton  
All Rights Reserved  
Printed in USA  
Publication No. FIS-163  
February 2014

Eaton's B-Line Business  
509 West Monroe Street  
Highland, IL 62249  
United States  
Phone: 800-851-7415

[www.cooperline.com/contactus](http://www.cooperline.com/contactus)

Eaton is a registered trademark.

All other trademarks are property of their respective owners.