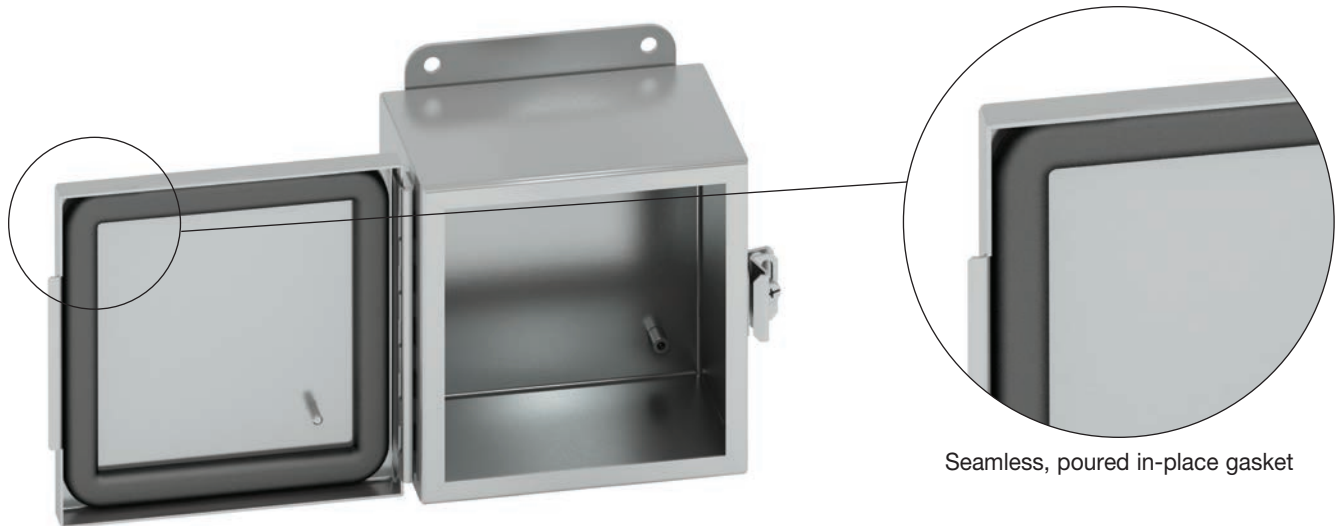


# Type 4X Panel Enclosures

## JIC Enclosures

### Type 4X Continuous Hinge Cover

#### Data Sheet



Seamless, poured in-place gasket

#### Application

- Houses electrical controls and instruments
- Intended for indoor or outdoor use where a corrosive environment exists
- Protects against corrosion, windblown dust and rain, splashing water and hose directed water

#### Standards

- UL 508 listed, Type 4, Type 4X, Type 12 and Type 13
- CSA C22.2 No.94 certified, Type 4, Type 4X, Type 12 and Type 13
- Conforms to NEMA standard for Type 4, Type 4X, Type 12 and Type 13
- Conforms to JIC standard EGP-1-1967
- Meets NEMA 3RX requirements

#### Finish

- Cover and sides of body have a smooth #4 brushed finish

#### Accessories

- Panels
- JIC terminal strap kit
- JIC terminal strip kit
- Terminal blocks
- See Accessories section

#### Construction

- Enclosure and cover are fabricated from (16) gauge, Type 304 or Type 316L stainless steel
- All continuous welded seams are finished smooth
- Cover is secured to the body with a stainless steel continuous hinge and pin on one side and easy-to-operate stainless steel screw clamps mounted to the opposite side
- Cover has a seamless poured in-place gasket
- Ground stud provided on cover
- #10-32 weldnuts are provided for mounting optional panel
- External mounting feet are provided for secure wall mounting

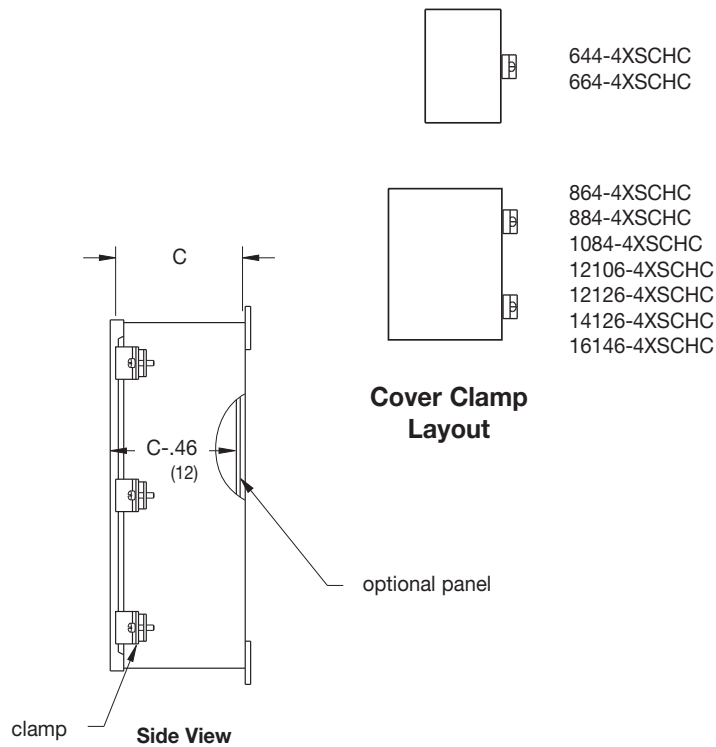
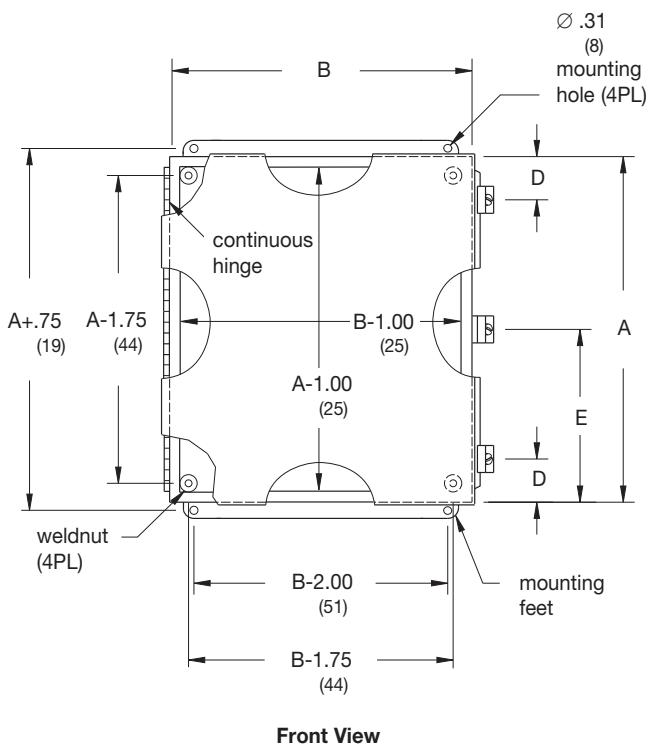
#### Discount Schedule: C2

#### Subclass: D10 & DDO

**Notes:** Cooper B-Line can provide special sizes, finishes and other modifications. Consult the factory for your special requirements.

## JIC Enclosures Type 4X Continuous Hinge Cover Illustration Sheet and Catalog Number

| Enclosure Catalog Number<br>Stainless Steel |                | Enclosure Size<br>Height x Width x Depth<br>A x B x C |                 | D    |    | E    |    | Panel Catalog Number |            | Panel Size<br>Height x Width |           |
|---|----------------|---|-----------------|------|----|------|----|----------------------|------------|------------------------------|-----------|
| Type 304                                    | Type 316L      | in.   | mm              | in.  | mm | in.  | mm | Steel                | Conductive | in.                          | mm        |
| 644-4XSCHC                                  | 644-4XSS6CHC   | 6.00 x 4.00 x 4.00                                    | 152 x 102 x 102 | -    | -  | 3.00 | 76 | AW64P                | AW64GP     | 4.87 x 2.87                  | 124 x 73  |
| 664-4XSCHC                                  | 664-4XSS6CHC   | 6.00 x 6.00 x 4.00                                    | 152 x 152 x 102 | -    | -  | 3.00 | 76 | AW66P                | AW66GP     | 4.87 x 4.87                  | 124 x 124 |
| 864-4XSCHC                                  | 864-4XSS6CHC   | 8.00 x 6.00 x 4.00                                    | 203 x 152 x 102 | 2.00 | 51 | -    | -  | AW86P                | AW86GP     | 6.87 x 4.87                  | 174 x 124 |
| 884-4XSCHC                                  | 884-4XSS6CHC   | 8.00 x 8.00 x 4.00                                    | 203 x 203 x 102 | 2.00 | 51 | -    | -  | AW88P                | AW88GP     | 6.87 x 6.87                  | 174 x 174 |
| 1084-4XSCHC                                 | 1084-4XSS6CHC  | 10.00 x 8.00 x 4.00                                   | 254 x 203 x 102 | 2.00 | 51 | -    | -  | AW108P               | AW108GP    | 8.87 x 6.87                  | 225 x 174 |
| 12106-4XSCHC                                | 12106-4XSS6CHC | 12.00 x 10.00 x 6.00                                  | 305 x 254 x 152 | 3.00 | 76 | -    | -  | AW1210P              | AW1210GP   | 10.87 x 8.87                 | 276 x 225 |
| 12126-4XSCHC                                | 12126-4XSS6CHC | 12.00 x 12.00 x 6.00                                  | 305 x 305 x 152 | 3.00 | 76 | -    | -  | AW1212P              | AW1212GP   | 10.87 x 10.87                | 276 x 276 |
| 14126-4XSCHC                                | 14126-4XSS6CHC | 14.00 x 12.00 x 6.00                                  | 356 x 305 x 152 | 3.00 | 76 | -    | -  | AW1412P              | AW1412GP   | 12.87 x 10.87                | 327 x 276 |
| 16146-4XSCHC                                | 16146-4XSS6CHC | 16.00 x 14.00 x 6.00                                  | 406 x 356 x 152 | 3.00 | 76 | -    | -  | AW1614P              | AW1614GP   | 14.87 x 12.87                | 376 x 327 |



**Notes:** Dimensions are in inches. Millimeters shown are for reference only. Data subject to change without notice.