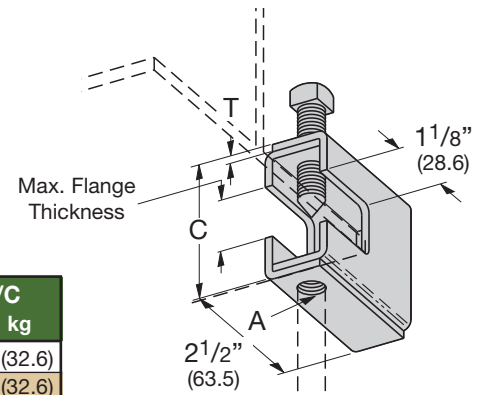


## B303 THRU B309 BEAM CLAMPS

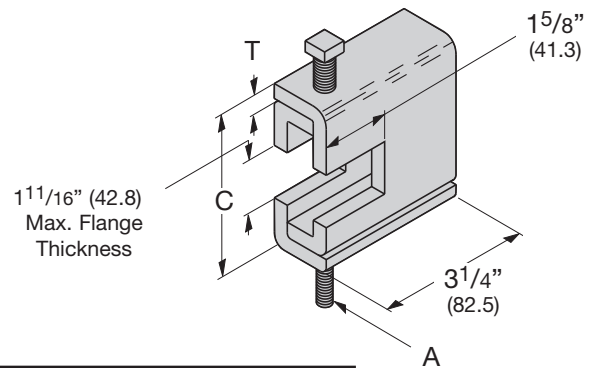
- Safety Factor of 5
- Max. Flange Thickness  $\frac{1}{16}$ " (1.6) thru  $\frac{7}{8}$ " (22.2)
- Setscrew included
- When Retaining Strap is required, order B312 separately
- Recommended Setscrew Torque:  $\frac{3}{8}$ "-16 150 in-lbs. (16.9 N•m)  
 $\frac{1}{2}$ "-13 350 in-lbs. (39.5 N•m)
- Standard finishes: ZN, HDG



| Part No. | Rod Size A          | Set Screw          | C                        | T                     | Design Load |            | Wt./C |    |
|----------|---------------------|--------------------|--------------------------|-----------------------|-------------|------------|-------|----|
|          |                     |                    |                          |                       | Lbs.        | kN         | Lbs.  | kg |
| B303     | $\frac{1}{4}$ "-20  | $\frac{3}{8}$ "-16 | $2\frac{5}{16}$ " (58.7) | 11 Ga. (3.0)          | 400 (1.78)  | 72 (32.6)  |       |    |
| B304     | $\frac{5}{16}$ "-18 | $\frac{3}{8}$ "-16 | $2\frac{5}{16}$ " (58.7) | 11 Ga. (3.0)          | 600 (2.67)  | 72 (32.6)  |       |    |
| B305     | $\frac{3}{8}$ "-16  | $\frac{3}{8}$ "-16 | $2\frac{5}{16}$ " (58.7) | 11 Ga. (3.0)          | 600 (2.67)  | 72 (32.6)  |       |    |
| B306     | $\frac{3}{8}$ "-16  | $\frac{1}{2}$ "-13 | $2\frac{7}{16}$ " (61.9) | 7 Ga. (4.5)           | 1100 (4.89) | 97 (44.0)  |       |    |
| B307     | $\frac{1}{2}$ "-13  | $\frac{1}{2}$ "-13 | $2\frac{7}{16}$ " (61.9) | 7 Ga. (4.5)           | 1100 (4.89) | 97 (44.0)  |       |    |
| B308     | $\frac{1}{2}$ "-13  | $\frac{1}{2}$ "-13 | $2\frac{9}{16}$ " (65.1) | $\frac{1}{4}$ " (6.3) | 1500 (6.67) | 133 (60.3) |       |    |
| B309     | $\frac{5}{8}$ "-11  | $\frac{1}{2}$ "-13 | $2\frac{9}{16}$ " (65.1) | $\frac{1}{4}$ " (6.3) | 1500 (6.67) | 133 (60.3) |       |    |

## B321 SERIES BEAM CLAMPS

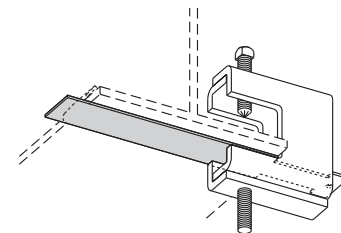
- Safety Factor of 5
- $1\frac{1}{16}$ " (42.8) Max. Flange Thickness
- Setscrew included
- When Retaining Strap is required, order B312 separately
- Recommended Setscrew Torque:  $\frac{1}{2}$ "-13 350 in-lbs. (39.5 N•m)  
 $\frac{5}{8}$ "-11 700 in-lbs. (79.0 N•m)
- Minimum flange thickness: B321-1 thru B321-3  $\frac{1}{4}$ " (6.3)  
B321-4 and B321-5  $\frac{3}{8}$ " (9.5)
- Standard finishes: ZN, HDG



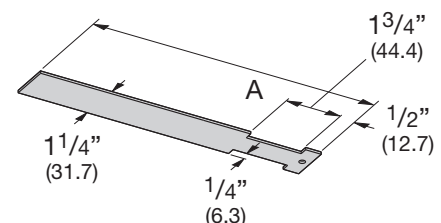
| Part No. | Rod Size A         | Setscrew           | C                         | T                      | Design Load |             | Wt./C |    |
|----------|--------------------|--------------------|---------------------------|------------------------|-------------|-------------|-------|----|
|          |                    |                    |                           |                        | Lbs.        | kN          | Lbs.  | kg |
| B321-1   | $\frac{3}{8}$ "-16 | $\frac{1}{2}$ "-13 | $3\frac{9}{16}$ " (92.1)  | $\frac{1}{4}$ " (6.3)  | 1300 (5.78) | 187 (84.8)  |       |    |
| B321-2   | $\frac{1}{2}$ "-13 | $\frac{1}{2}$ "-13 | $3\frac{9}{16}$ " (92.1)  | $\frac{1}{4}$ " (6.3)  | 1400 (6.23) | 186 (84.3)  |       |    |
| B321-3   | $\frac{5}{8}$ "-11 | $\frac{1}{2}$ "-13 | $3\frac{9}{16}$ " (92.1)  | $\frac{1}{4}$ " (6.3)  | 1600 (7.12) | 185 (83.9)  |       |    |
| B321-4   | $\frac{5}{8}$ "-11 | $\frac{5}{8}$ "-11 | $3\frac{23}{32}$ " (94.4) | $\frac{5}{16}$ " (7.9) | 1800 (8.00) | 239 (108.4) |       |    |
| B321-5   | $\frac{3}{4}$ "-10 | $\frac{5}{8}$ "-11 | $3\frac{23}{32}$ " (94.4) | $\frac{5}{16}$ " (7.9) | 2000 (8.89) | 238 (107.9) |       |    |

## B312 SERIES RETAINING STRAP FOR USE WITH B303 THRU B309 AND B321 SERIES

- $\frac{3}{4}$ " (19.0) Max. Flange Thickness
- For thicker beams, step up one flange width size
- Material: 14 Gauge (1.9)
- Standard finishes: GALV, HDG



| Part No. | For Flange Width |         | A   | Wt./C   |           |
|----------|------------------|---------|-----|---------|-----------|
|          | Lbs.             | kg      |     | Lbs.    | kg        |
| B312-6   | 6"               | (152.4) | 9"  | (228.6) | 22 (10.0) |
| B312-9   | 9"               | (228.6) | 12" | (304.8) | 30 (13.6) |
| B312-12  | 12"              | (304.8) | 15" | (381.0) | 40 (18.1) |
| B312-15  | 15"              | (381.0) | 18" | (457.2) | 49 (22.2) |



Reference page 112 for general fitting and standard finish specifications.