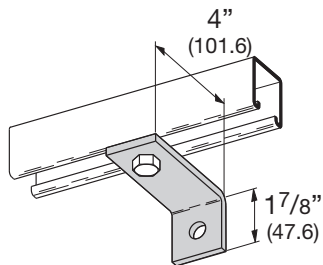


# 90° Angle Fittings

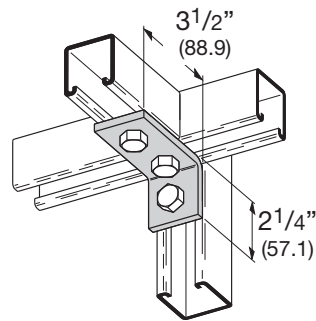
## B361 TWO HOLE CORNER ANGLE

- Standard finishes: ZN, GRN
- Wt./C 60 Lbs. (27.2 kg)



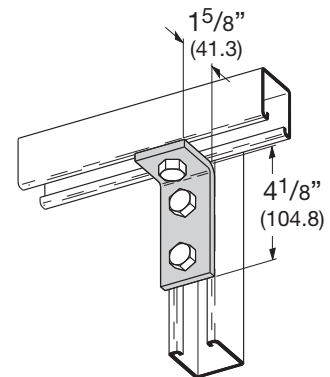
## B102 THREE HOLE CORNER ANGLE

- Standard finishes: ZN, GRN, HDG, SS4
- Wt./C 56 Lbs. (25.4 kg)



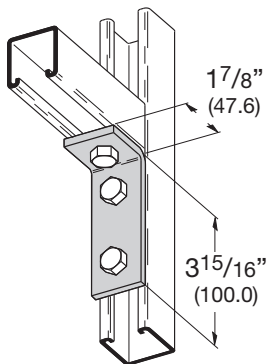
## B103 THREE HOLE CORNER ANGLE

- Standard finishes: ZN, GRN, HDG, SS4
- Wt./C 56 Lbs. (25.4 kg)



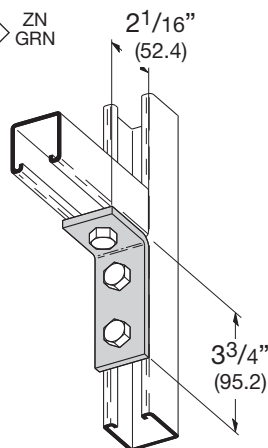
## B232 THREE HOLE CORNER ANGLE

- Standard finishes: ZN, GRN, HDG, SS4
- Wt./C 56 Lbs. (25.4 kg)



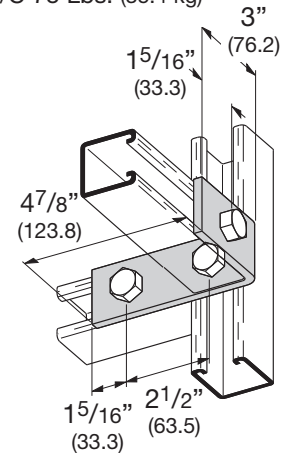
## B374 THREE HOLE CORNER ANGLE

- Standard finishes: ZN, GRN, HDG
- Wt./C 56 Lbs. (25.4 kg)



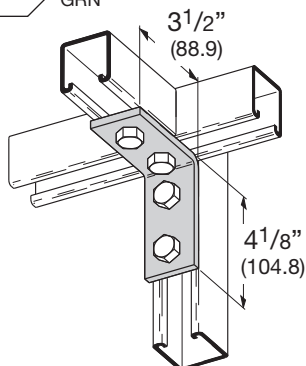
## B529 THREE HOLE CORNER ANGLE

- Standard finishes: ZN, GRN
- Wt./C 78 Lbs. (35.4 kg)



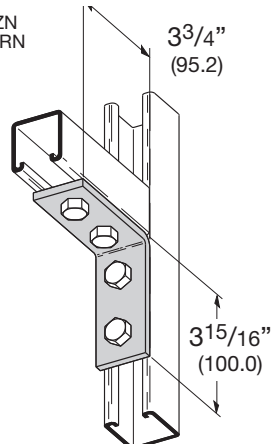
## B104 FOUR HOLE CORNER ANGLE

- Standard finishes: ZN, GRN, HDG, SS4, SS6, AL
- Wt./C 78 Lbs. (35.4 kg)



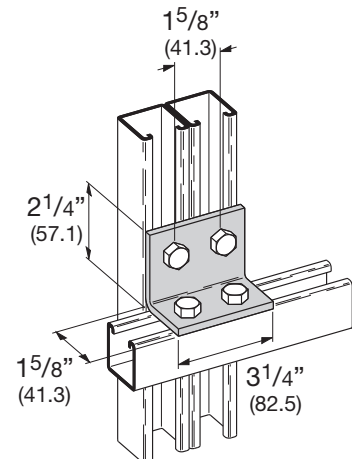
## B115 FOUR HOLE CORNER ANGLE

- Standard finishes: ZN, GRN, HDG, SS4, AL
- Wt./C 76 Lbs. (34.5 kg)



## B558 FOUR HOLE CORNER ANGLE

- Standard finishes: ZN, GRN
- Wt./C 73 Lbs. (33.1 kg)



Preassembled fitting.

Reference page 72 for general fitting and standard finish specifications.