



121814

APPLICATION

- Single meter positions
- Designed to receive watthour positions that meet ANSI C12.10
- Combination CT/meter enclosure
- Overhead or underground feed

CONSTRUCTION

- Type 3R construction
- Removable test switch perch
- CT mounting base provision
- H-base hub provision – overhead only
- Ring style
- Snap type sealing ring included
- Cover has newly designed fixed handles (not shown)

STANDARDS

- UL 414 listed, complies with ANSI C12.7

FINISH

- ANSI 61 gray acrylic electrocoat finish

ACCESSORIES

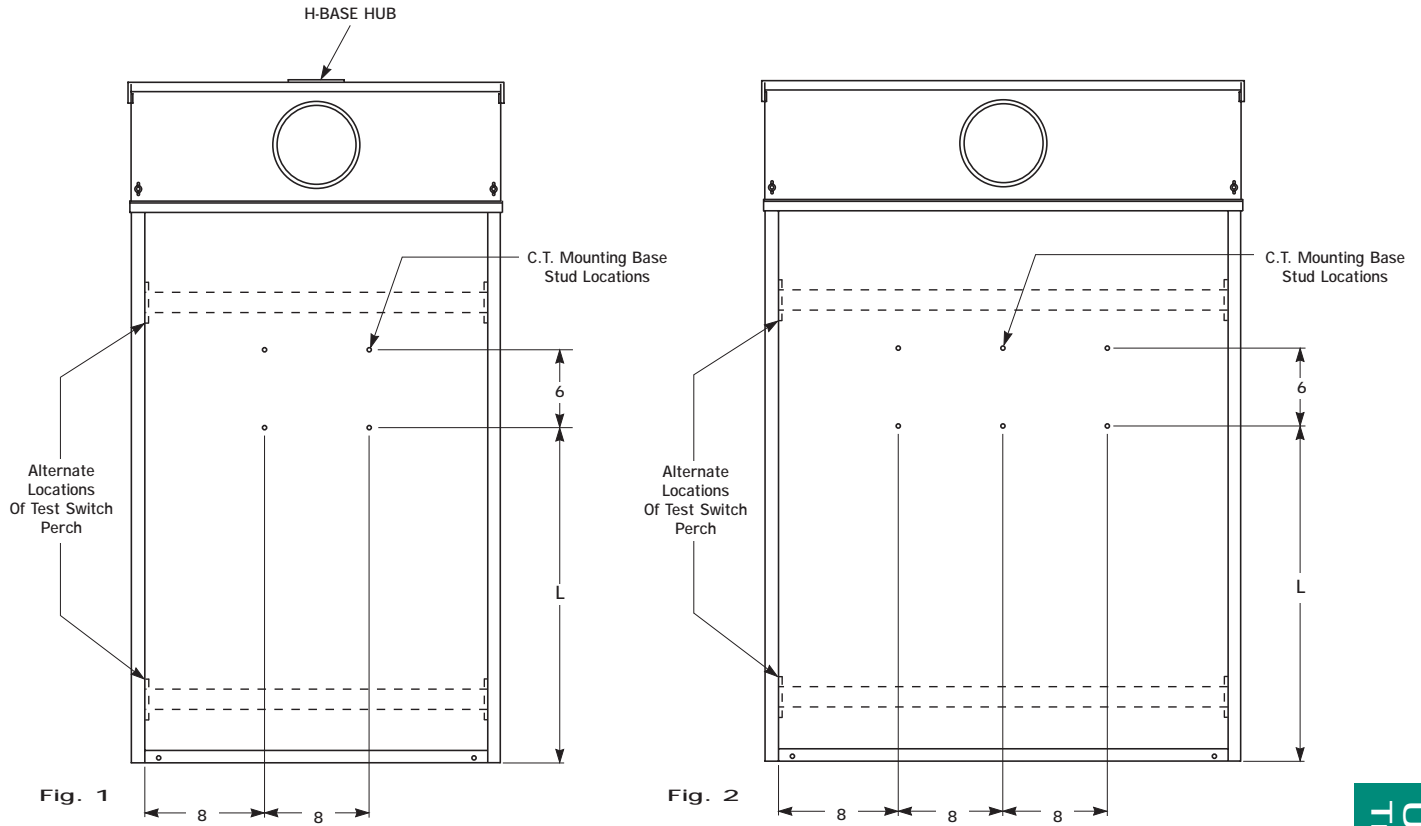
- Screw type sealing ring — catalog #25016D
- H-base hubs
- Steel or clear lexan covers for socket openings
- CT mounting bases
- 5th jaw kit — catalog #50371

Overhead/Underground-Surface Mount

CATALOG NUMBER	MAIN DISCONNECT	AMPACITY MAX.	AMPACITY CONT.	VOLTAGE	SERVICE TYPE	NUMBER OF JAWS	HUB PROV.	CONDUCTOR LUG RANGE		FIGURE NUMBER	DIMENSIONS (INCHES)			
								ALL TERMINALS	GROUNDING TERMINAL		HEIGHT (H)	WIDTH (W)	DEPTH (D)	(L)
121814	NONE	20	20	600	1Ø	4	H	14 AWG - 10 AWG	14 AWG - 2/0 AWG	Fig. 1	42	24	11	15 11/16
121815	NONE	20	20	600	1Ø	5	H	14 AWG - 10 AWG	14 AWG - 2/0 AWG	Fig. 1	42	24	11	15 11/16
121816	NONE	20	20	600	1Ø	6	H	14 AWG - 10 AWG	14 AWG - 2/0 AWG	Fig. 1	42	24	11	15 11/16
121818	NONE	20	20	600	1Ø	8	H	14 AWG - 10 AWG	14 AWG - 2/0 AWG	Fig. 1	42	24	11	15 11/16
122013	NONE	20	20	600	3Ø	13	H	14 AWG - 10 AWG	14 AWG - 2/0 AWG	Fig. 2	42	36	11	15 11/16
122015	NONE	20	20	600	3Ø	15	H	14 AWG - 10 AWG	14 AWG - 2/0 AWG	Fig. 2	42	36	11	15 11/16
122018	NONE	20	20	600	1Ø or 3Ø	8	H	14 AWG - 10 AWG	14 AWG - 2/0 AWG	Fig. 2	42	36	11	15 11/16

Underground-Surface Mount

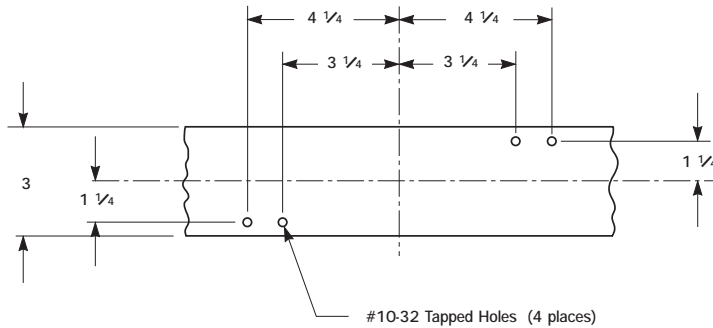
CATALOG NUMBER	MAIN DISCONNECT	AMPACITY MAX.	AMPACITY CONT.	VOLTAGE	SERVICE TYPE	NUMBER OF JAWS	HUB PROV.	CONDUCTOR LUG RANGE		FIGURE NUMBER	DIMENSIONS (INCHES)			
								ALL TERMINALS	GROUNDING TERMINAL		HEIGHT (H)	WIDTH (W)	DEPTH (D)	(L)
U121814	NONE	20	20	600	1Ø	4	NONE	14 AWG - 10 AWG	14 AWG - 2/0 AWG	Fig. 1	52	24	11	25 11/16
U121815	NONE	20	20	600	1Ø	5	NONE	14 AWG - 10 AWG	14 AWG - 2/0 AWG	Fig. 1	52	24	11	25 11/16
U121816	NONE	20	20	600	1Ø	6	NONE	14 AWG - 10 AWG	14 AWG - 2/0 AWG	Fig. 1	52	24	11	25 11/16
U121818	NONE	20	20	600	1Ø or 3Ø	8	NONE	14 AWG - 10 AWG	14 AWG - 2/0 AWG	Fig. 1	52	24	11	25 11/16
U122013	NONE	20	20	600	3Ø	13	NONE	14 AWG - 10 AWG	14 AWG - 2/0 AWG	Fig. 2	52	36	11	25 11/16
U122015	NONE	20	20	600	3Ø	15	NONE	14 AWG - 10 AWG	14 AWG - 2/0 AWG	Fig. 2	52	36	11	25 11/16
U122018	NONE	20	20	600	1Ø or 3Ø	8	NONE	14 AWG - 10 AWG	14 AWG - 2/0 AWG	Fig. 2	52	36	11	25 11/16



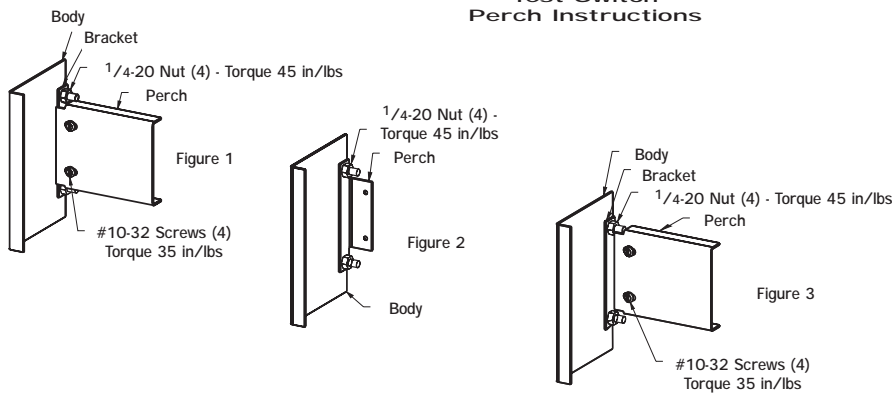
Accepts 6019xx Series C.T. Mounting Bases see pages 110 & 111

Accepts 6019xx Series and 6067xx Series C.T. Mounting Bases see pages 110 & 111

Test Switch Perch



Test Switch Perch Instructions



This enclosure is assembled with the test switch installed at a factory offset distance from the cover (see Figure 1). If a greater offset is desired, follow these instructions:

1. Loosen and remove the screws holding the perch to the bracket, remove the perch. Loosen and remove the nuts on the bracket studs. (See Figure 1)
2. Remove and rotate the brackets 180 degrees and relocate back onto bracket studs. (See Figure 2) Then fasten the nuts back on the bracket studs and torque them to 45 in/lbs.
3. Place the perch on the brackets and fasten with the screws, and torque screws to 35 in/lbs. (See Figure 3)