

Feed-Through Wireway Type 12 Data Sheet



Application

- Houses runs of control and power cable
- Protects against circulating dust, falling dirt and dripping noncorrosive liquids

Standards

- UL 870 listed, unless noted, (see table)
- CSA C22.2 No. 26 certified, unless noted, (see table)
- Conforms to NEMA standard for Type 12
- Conforms to JIC standard EGP-1-1967

Finish

- Wash and phosphate undercoat
- ANSI 61 gray polyester powder finish
- Hardware and latches are zinc plated

Accessories

- Touch-up paint
- See Accessories section

Construction

- Wireway body and cover are fabricated from (14) gauge steel
- Flanges are (10) gauge steel
- All continuous welded seams are finished smooth
- External and internal edges are rounded to prevent injury or damage to cable
- Covers are secured to the wireway body with heavy-duty hinges on one side and easy-to-operate screw clamps mounted to the opposite side
- Continuous flanged ends assure rigid connections of wireway and fittings
- Covers have a seamless poured in-place gasket
- An oil-resistant gasket is provided for installation between flanges

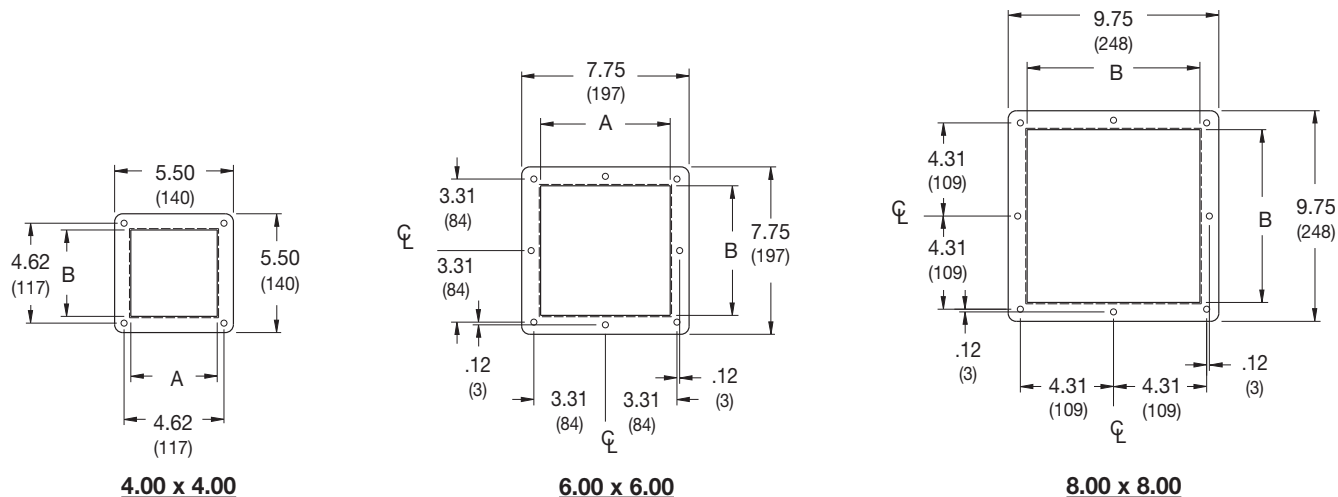
Discount Schedule: C2

Subclass: DAO

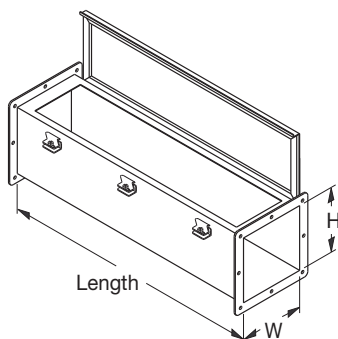
Notes: Cooper B-Line Systems can provide special sizes, finishes and other modifications. Consult the factory for your special requirements.

Feed-Through Wireway Type 12

Illustration Sheet and Catalog Number

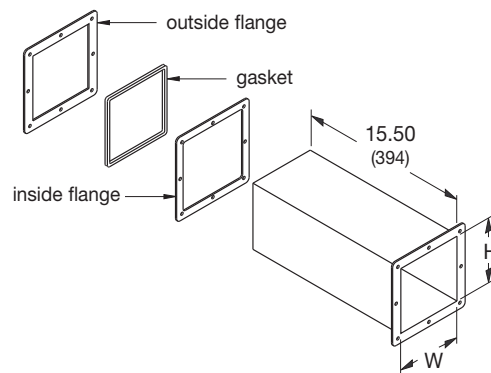


Flange Detail



Wireway Section

- lengths from 12.00" (305 mm) to 120.00" (3048 mm)



Straight Section

- includes (1) gasket kit

Catalog Number	Size	H		W	
		in.	mm	in.	mm
44(*)-12FW	4 x 4	4.00	102	4.00	102
66(*)-12FW	6 x 6	6.00	152	6.00	152
88(*)-12FW	8 x 8	8.00	203	8.00	203

(*) Insert for length 12 = 12", 24 = 24", 36 = 36", 48 = 48", 60 = 60", 120 = 120".

For	Actual Length	
	in.	mm
12	11.94	303
24	23.94	608
36	35.94	913
48	47.94	1218
60	59.94	1522
120	119.94	3046

Telescopic Fitting

- adjustable lengths from 1.50" (38 mm) to 13.50" (343 mm)
- no cutting or welding required

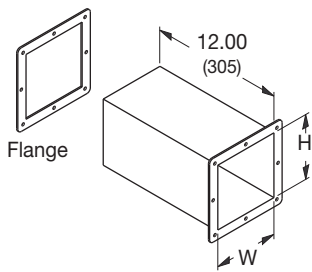
Catalog Number	Size	H		W	
		in.	mm	in.	mm
44-12FTF *	4 x 4	3.82	97	3.82	97
66-12FTF *	6 x 6	5.82	148	5.82	148
88-12FTF *	8 x 8	7.82	199	7.82	199

* Not UL or CSA Listed fitting.

Notes: Dimensions are in inches. Millimeters shown are for reference only. Data subject to change without notice.

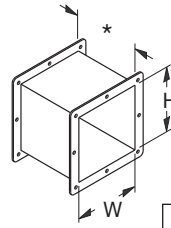
Feed-Through Wireway Type 12

Illustration Sheet and Catalog Number



Cut-Off Fitting

- length up to 12.00" (305 mm)
- shorten to desired length and weld on flange



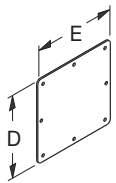
Nipple

- * lengths from 1.00" (25 mm) to 6.00" (152 mm)

Catalog Number	Size	H		W	
		in.	mm	in.	mm
44-12FCF	4 x 4	4.00	102	4.00	102
66-12FCF	6 x 6	6.00	152	6.00	152
88-12FCF	8 x 8	8.00	203	8.00	203

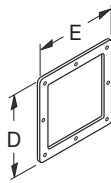
Catalog Number	Size	H		W	
		in.	mm	in.	mm
44-12FN(*)	4 x 4	4.00	102	4.00	102
66-12FN(*)	6 x 6	6.00	152	6.00	152
88-12FN(*)	8 x 8	8.00	203	8.00	203

(*) Insert 1 for 1" nipple (L = .938")
 Insert 2 for 2" nipple (L = 1.938")
 Insert 3 for 3" nipple (L = 2.938")
 Insert 6 for 6" nipple (L = 5.938")



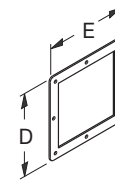
Closure Plate

- includes hardware



Box Connector

- includes hardware

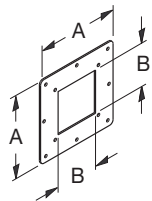


Gasket

Catalog Number	Size	D		E	
		in.	mm	in.	mm
44-12FCP	4 x 4	5.50	140	5.50	140
66-12FCP	6 x 6	7.75	197	7.75	197
88-12FCP	8 x 8	9.75	248	9.75	248

Catalog Number	Size	D		E	
		in.	mm	in.	mm
44-12FBC	4 x 4	5.50	140	5.50	140
66-12FBC	6 x 6	7.75	197	7.75	197
88-12FBC	8 x 8	9.75	248	9.75	248

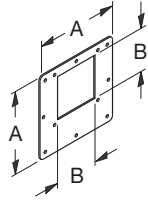
Catalog Number	Size	D		E	
		in.	mm	in.	mm
44-12FGK	4 x 4	5.50	140	5.50	140
66-12FGK	6 x 6	7.75	197	7.75	197
88-12FGK	8 x 8	9.75	248	9.75	248



Center

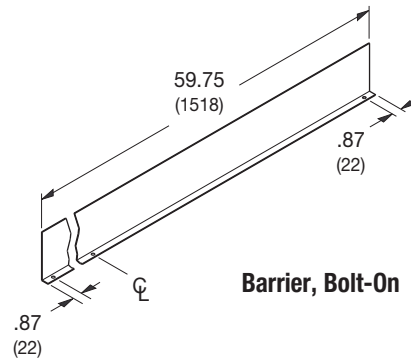
Reducer

- includes hardware



Edge

Catalog Number Center	Catalog Number Edge	Size	A		B	
			in.	mm	in.	mm
6644-12FRC	6644-12FRE	6 to 4	5.50	140	4.00	102
8866-12FRC	8866-12FRE	8 to 6	7.75	197	6.00	152



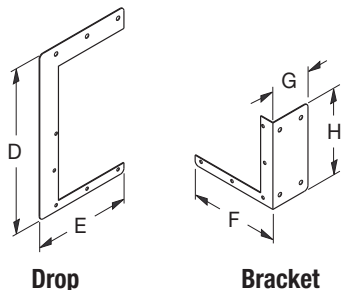
Barrier, Bolt-On

Catalog Number	Size	Height	
		in.	mm
44-12BK	4 x 4	3.00	76
66-12BK	6 x 6	4.50	114
88-12BK	8 x 8	6.00	152

Notes: Dimensions are in inches. Millimeters shown are for reference only. Data subject to change without notice.

Feed-Through Wireway Type 12

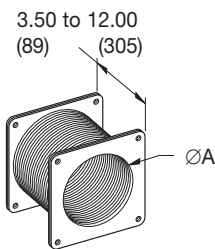
Illustration Sheet and Catalog Number



Wireway Hangers

- includes wireway to bracket mounting hardware
- anchors not included

Catalog Number Drop	Catalog Number Bracket	Size	D		E		F		G		H	
			in.	mm	in.	mm	in.	mm	in.	mm	in.	mm
44-12DH	44-12BH	4 x 4	12.00	305	6.00	152	6.25	159	3.62	92	6.00	152
66-12DH	66-12BH	6 x 6	16.00	406	8.25	210	8.50	216	3.62	92	8.00	203
88-12DH	88-12BH	8 x 8	20.75	527	20.00	311	10.50	267	3.62	92	11.37	289

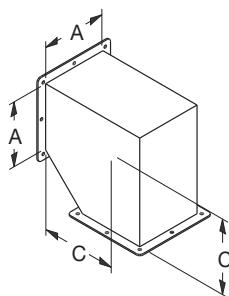


Flexible Fitting

- isolates wireway from shock or vibration and compensates for misalignment. 90° maximum angle. Hypalon bellow with steel flanges.

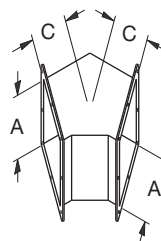
Catalog Number	Size	ØA	
		in.	mm
44-12FFF *	4 x 4	4.00	102
66-12FFF *	6 x 6	6.00	152
88-12FFF *	8 x 8	8.00	203

* Not UL or CSA Listed fitting.



90° Elbow

- includes (1) gasket & hardware

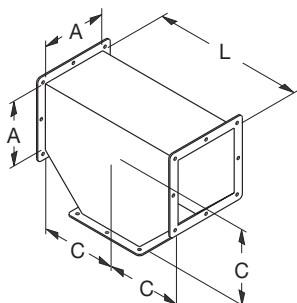


45° Elbow

- includes (1) gasket & hardware

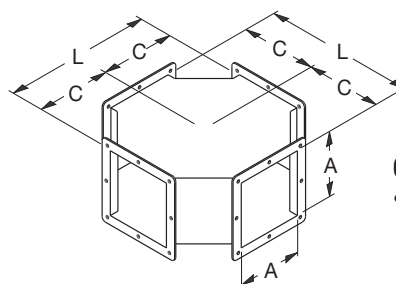
Catalog Number	Size	A		C	
		in.	mm	in.	mm
44-12FE9	4 x 4	4.00	102	6.00	152
66-12FE9	6 x 6	6.00	152	7.00	178
88-12FE9	8 x 8	8.00	203	8.00	203

Catalog Number	Size	A		C	
		in.	mm	in.	mm
44-12FE45	4 x 4	4.00	102	2.50	64
66-12FE45	6 x 6	6.00	152	2.93	74
88-12FE45	8 x 8	8.00	203	3.31	84



Tee

- includes (2) gaskets & hardware



Cross

- includes (3) gaskets & hardware

Catalog Number	Size	A		C		L	
		in.	mm	in.	mm	in.	mm
44-12FT	4 x 4	4.00	102	6.00	152	12.00	305
66-12FT	6 x 6	6.00	152	7.00	178	14.00	356
88-12FT	8 x 8	8.00	203	8.00	203	16.00	406

Catalog Number	Size	A		C		L	
		in.	mm	in.	mm	in.	mm
44-12FC	4 x 4	4.00	102	6.00	152	12.00	305
66-12FC	6 x 6	6.00	152	7.00	178	14.00	356
88-12FC	8 x 8	8.00	203	8.00	203	16.00	406

Notes: 'C' dimensions are from intersection of center lines. All dimensions are to inside surfaces. Allow .12" (3mm) for flange gasket when joining pieces. Flange holes are .28" dia. (7mm). Flange radii are .37" (9mm). Dimensions are in inches. Millimeters shown are for reference only. Data subject to change without notice.