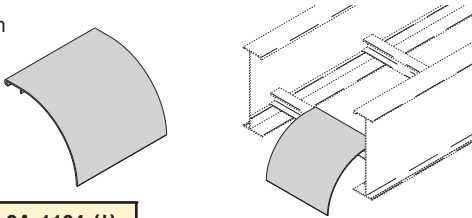


# Series 2, 3, 4, & 5 Aluminum - Accessories

## Ladder Drop-Out

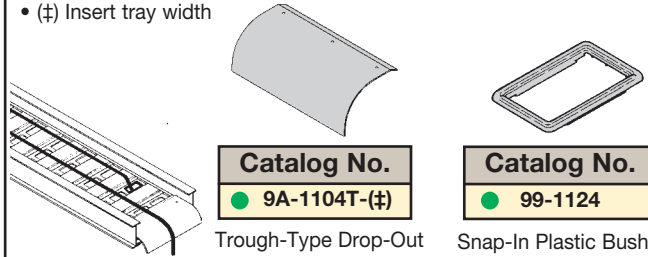
- Specially-designed Ladder Drop-Outs provide a rounded surface with 4" (101 mm) radius to protect cable as it exits from the cable tray, preventing damage to insulation. The drop-out will attach to any desired rung.
- (‡) Insert tray width



Catalog No. ● 9A-1104-(‡)

## Trough Drop-Out & Drop-Out Bushing

- These devices provide a rounded surface to protect cable as it exits from the trough-type cable tray.
- Hardware is included for attachment of the trough bottom drop-out.
- (‡) Insert tray width



Catalog No.

● 9A-1104T-(‡)

Trough-Type Drop-Out

Catalog No.

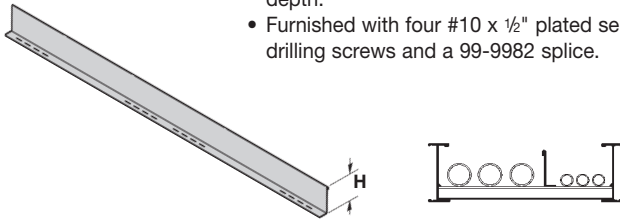
● 99-1124

Snap-In Plastic Bushing

## Barriers

### Straight Section

- Standard length: 120" (3 m) 144" (12 ft.).
- Order catalog number based on loading depth.
- Furnished with four #10 x 1/2" plated self-drilling screws and a 99-9982 splice.

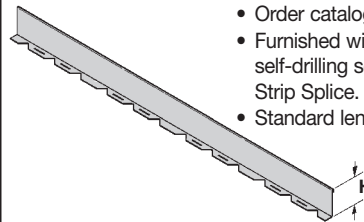


Catalog No.	Side Rail Height		Loading Depth 'H'	
	in.	mm	in.	mm
● 73A-Length	4	101	3	76
● 74A-Length	5	127	4	101
● 75A-Length	6	152	5	127
● 76A-Length	7	178	6	152

Length =  
144 for 12'  
or  
120 for 10'

### Horizontal Bend

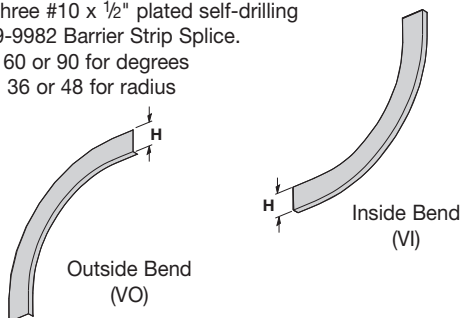
- Horizontal Bend Barriers are flexible in order to conform to any horizontal fitting radius. Cut to length.
- Order catalog number based on loading depth.
- Furnished with three #10 x 1/2" zinc plated self-drilling screws and a 99-9982 Barrier Strip Splice.
- Standard length is 72" (6 ft.), sold individually.



Catalog No.	Side Rail Height		Loading Depth 'H'	
	in.	mm	in.	mm
● 73A-90HBFL	4	101	3	76
● 74A-90HBFL	5	127	4	101
● 75A-90HBFL	6	152	5	127
● 76A-90HBFL	7	178	6	152

### Vertical Bend Barriers

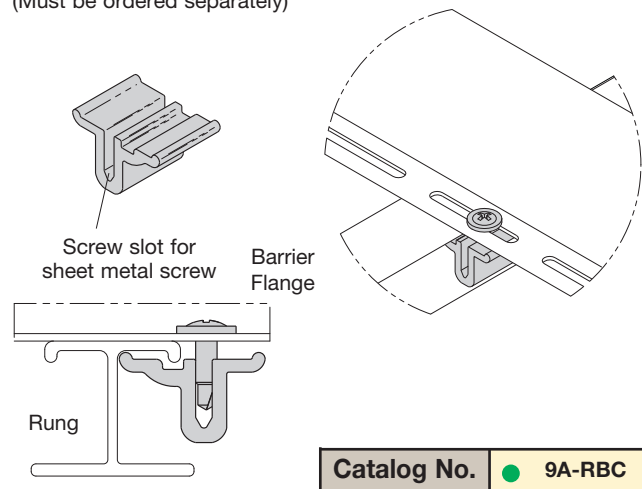
- Vertical Bend Barriers are preformed to conform to a specific vertical fitting.
- Furnished with three #10 x 1/2" plated self-drilling screws and a 99-9982 Barrier Strip Splice.
- (\*) Insert 30, 45, 60 or 90 for degrees
- (†) Insert 12, 24, 36 or 48 for radius



Inside Bend Catalog No.	Outside Bend Catalog No.	Side Rail Height		Loading Depth 'H'	
		in.	mm	in.	mm
● 73A-(*)VI(†)	● 73A-(*)VO(†)	4	101	3	76
● 74A-(*)VI(†)	● 74A-(*)VO(†)	5	127	4	101
● 75A-(*)VI(†)	● 75A-(*)VO(†)	6	152	5	127
● 76A-(*)VI(†)	● 76A-(*)VO(†)	7	178	6	152

### Barrier Strip Clip

- Provides attachment to rung.
- Allows for installed barrier adjustment.
- Asymmetrical clip provides a wide range for screw location.
- Barriers strip clips not included with barriers. (Must be ordered separately)



Catalog No. ● 9A-RBC

● Green = Fastest shipped items   ● Black = Normal lead-time items   ● Red = Normally long lead-time items