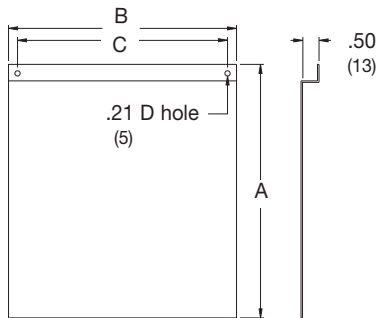


Bolt-On Accessories Illustration Sheet and Catalog Number

Discount Schedule: C2
Subclass: DSO

Baffle Plates



Baffle Plate Catalog Number	A		B		C		Used with Louver Plate Catalog Number
	in.	mm	in.	mm	in.	mm	
BP23	3.25	83	3.25	83	2.50	64	LKP23
BP33	3.87	98	4.50	114	3.75	95	LPK33
BP34	4.75	121	4.50	114	3.75	95	LPK34
BP43	4.50	114	5.50	140	4.75	121	LPK43
BP44	5.62	143	5.50	140	4.75	121	LPK44
BP64	5.12	130	7.50	191	6.75	171	LPK64
BP66	7.37	187	7.50	191	6.75	171	LPK66
BP84	5.31	135	9.50	241	8.75	222	LPK84
BP86	7.68	195	9.50	241	8.75	222	LPK86
BP88	10.06	256	9.50	241	8.75	222	LPK88
BP812	14.81	376	9.50	241	8.75	222	LPK812

Baffle Plates are intended to be used with Louver Plates when it is necessary to prevent direct access into the enclosure through the louver opening. The plate is designed to mount to the inside of the enclosure using the same cut-out and mounting holes required to mount the Louver Plate Kit. Plates are (16) gauge steel and have an ANSI 61 gray polyester powder finish. UL Listed.

Hole Seals



Painted Steel - U.L. listed as Type 3R, 12, 13, & 4



Stainless Steel - U.L. listed as Type 4X

Oil-Tight Hole Seals							
Catalog Number		Application	Max. Hole Diameter		Hole Seal Diameter		
Steel	Stainless		in.	mm	in.	mm	
SPBG	SPBGSS	Miniature oil-tight pushbutton holes	0.88	22	1.22	31	
SPB	SPBSS	Standard oil-tight pushbutton holes	1.25	32	1.75	44	
S050	S050SS	1/2-inch conduit holes	.88	22	1.38	35	
S075	S075SS	3/4-inch conduit holes	1.06	27	1.56	40	
S100	S100SS	1-inch conduit holes	1.38	35	1.88	48	
S125	S125SS	1 1/4-inch conduit holes	1.69	43	2.19	56	
S150	S150SS	1 1/2-inch conduit holes	2.00	51	2.50	64	
S200	S200SS	2-inch conduit holes	2.50	64	3.00	76	
S250	S250SS	2 1/2-inch conduit holes	3.00	76	3.50	89	
S300	S300SS	3-inch conduit holes	3.62	92	4.12	105	
S350	S350SS	3 1/2-inch conduit hole	4.12	105	4.62	117	
S400	S400SS	4-inch conduit holes	4.62	117	5.12	130	

Protects knockout openings and extra pushbutton or conduit openings from dirt, oil, dust and water. Each hole seal has oil-resistant gasketing and plated stud and wing nut. Available in steel finished with ANSI 61 polyester powder or unpainted stainless steel.

Notes: Dimensions are in inches. Millimeters shown are for reference only. Data subject to change without notice.