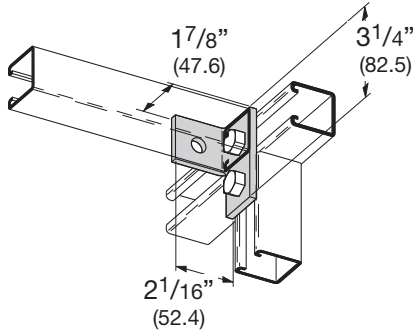


90° Angle Fittings

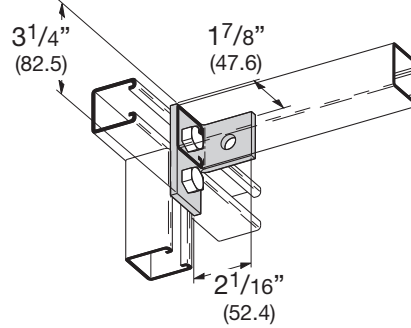
B235R THREE HOLE (RIGHT HAND) OFFSET BENT ANGLE

- 15/8" (41.3) from center to center of the holes that are shown with bolt heads
- Standard finishes: ZN, GRN
- Wt./C 53 Lbs. (24.0 kg)



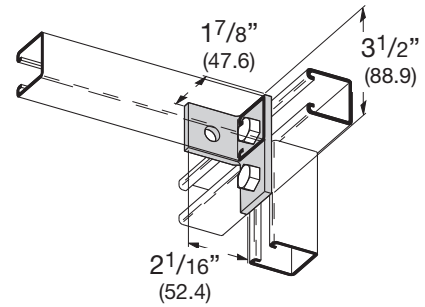
B235L THREE HOLE (LEFT HAND) OFFSET BENT ANGLE

- 15/8" (41.3) from center to center of the holes that are shown with bolt heads
- Standard finishes: ZN, GRN
- Wt./C 53 Lbs. (24.0 kg)



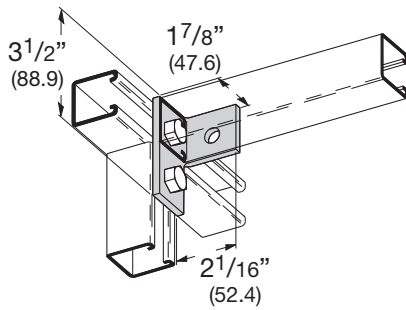
B236R THREE HOLE (RIGHT HAND) OFFSET BENT ANGLE

- Standard finishes: ZN, GRN
- Wt./C 65 Lbs. (29.5 kg)



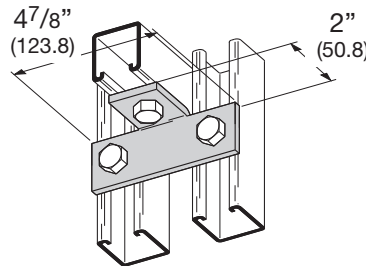
B236L THREE HOLE (LEFT HAND) OFFSET BENT ANGLE

- Standard finishes: ZN, GRN
- Wt./C 65 Lbs. (29.5 kg)



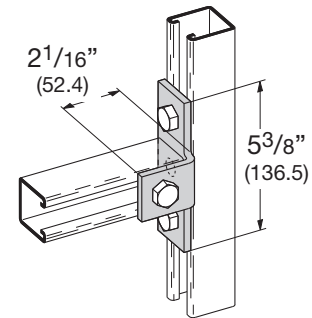
B237 THREE HOLE OFFSET BENT TEE

- Standard finishes: ZN, GRN
- Wt./C 71 Lbs. (32.2 kg)



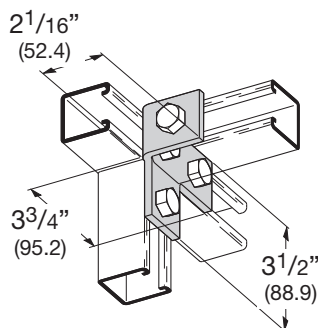
B357 FOUR HOLE OFFSET BENT TEE

- Standard finishes: ZN, GRN
- Wt./C 77 Lbs. (34.9 kg)



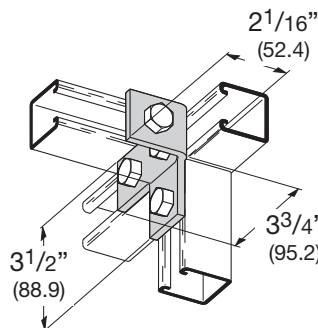
B238R FOUR HOLE (RIGHT HAND) OFFSET BENT TEE

- Standard finishes: ZN, GRN
- Wt./C 76 Lbs. (34.5 kg)



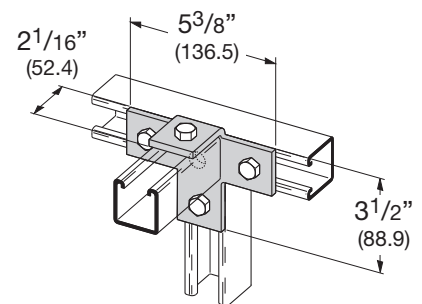
B238L FOUR HOLE (LEFT HAND) OFFSET BENT TEE

- Standard finishes: ZN, GRN
- Wt./C 76 Lbs. (34.5 kg)



B239 FIVE HOLE OFFSET BENT TEE

- Standard finishes: ZN, GRN
- Wt./C 96 Lbs. (43.5 kg)



Reference page 72 for general fitting and standard finish specifications.