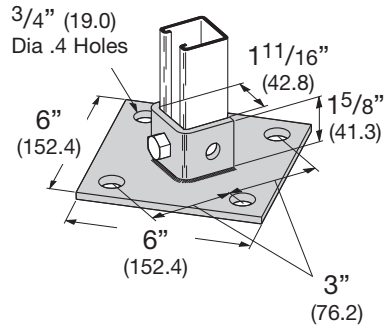


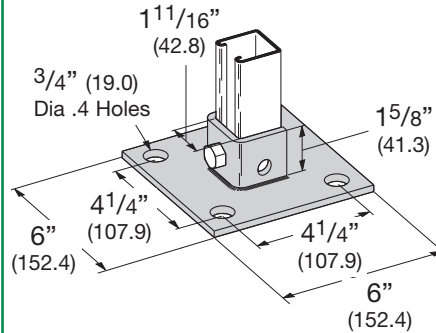
## B279 POST BASE FOR B22

- Standard finishes: ZN, GRN
- Wt./C 314 Lbs. (142.4 kg)



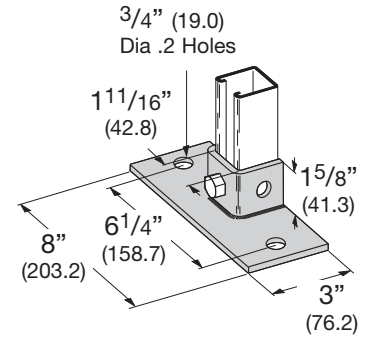
## B279SQ POST BASE FOR B22

- Standard finishes: ZN, GRN
- Wt./C 314 Lbs. (142.4 kg)



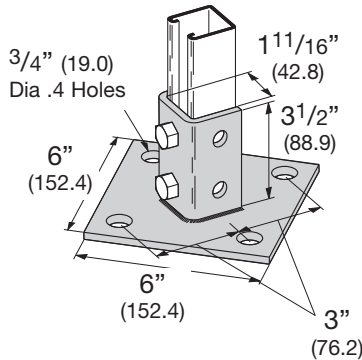
## B279FL POST BASE FOR B22

- Standard finishes: ZN, GRN
- Wt./C 230 Lbs. (104.3 kg)



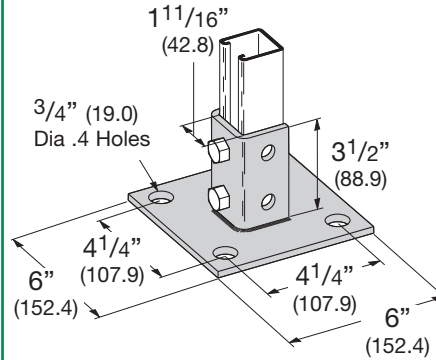
## B280 POST BASE FOR B22

- Standard finishes: ZN, GRN, HDG, SS4, AL
- Wt./C 392 Lbs. (177.8 kg)



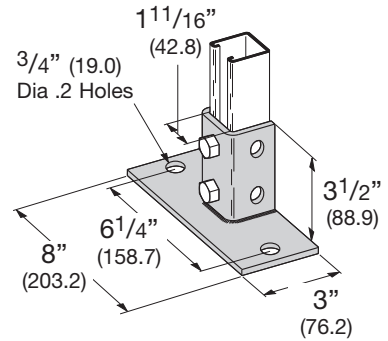
## B280SQ POST BASE FOR B22

- Standard finishes: ZN, GRN, HDG, SS4, AL
- Wt./C 392 Lbs. (177.8 kg)



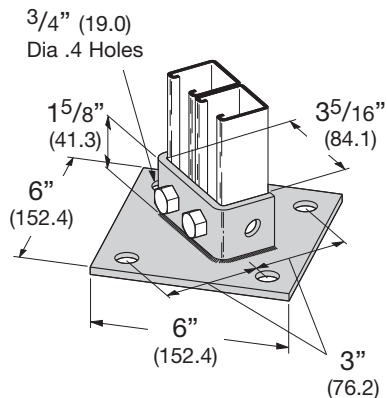
## B280FL POST BASE FOR B22

- Standard finishes: ZN, GRN, HDG, SS4
- Wt./C 312 Lbs. (141.5 kg)



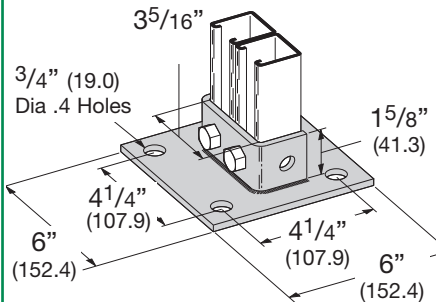
## B281A POST BASE FOR B22A, B, C, ETC.

- Standard finishes: ZN, GRN
- Wt./C 330 Lbs. (149.7 kg)



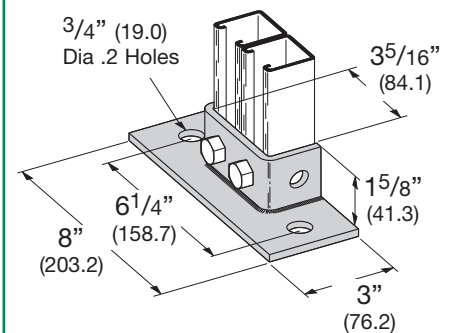
## B281ASQ POST BASE FOR B22A, B, C, ETC.

- Standard finishes: ZN, GRN
- Wt./C 330 Lbs. (149.7 kg)



## B281AFL POST BASE FOR B22A, B, C, ETC.

- Standard finishes: ZN, GRN
- Wt./C 250 Lbs. (113.4 kg)



Reference page 72 for general fitting and standard finish specifications.