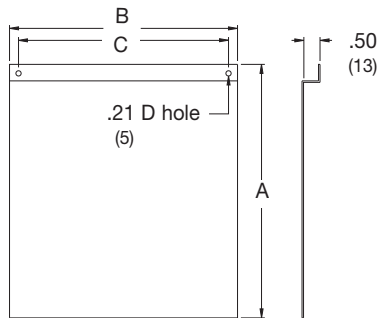


## Bolt-On Accessories

### Illustration Sheet and Catalog Number

Discount Schedule: C2  
Subclass: DSO

### Baffle Plates



| Baffle Plate<br>Catalog Number | A     |     | B    |     | C    |     | Used with<br>Louver Plate<br>Catalog Number |
|--------------------------------|-------|-----|------|-----|------|-----|---|
|                                | in.   | mm  | in.  | mm  | in.  | mm  |   |
| BP23                           | 3.25  | 83  | 3.25 | 83  | 2.50 | 64  | LKP23                                       |
| BP33                           | 3.87  | 98  | 4.50 | 114 | 3.75 | 95  | LPK33                                       |
| BP34                           | 4.75  | 121 | 4.50 | 114 | 3.75 | 95  | LPK34                                       |
| BP43                           | 4.50  | 114 | 5.50 | 140 | 4.75 | 121 | LPK43                                       |
| BP44                           | 5.62  | 143 | 5.50 | 140 | 4.75 | 121 | LPK44                                       |
| BP64                           | 5.12  | 130 | 7.50 | 191 | 6.75 | 171 | LPK64                                       |
| BP66                           | 7.37  | 187 | 7.50 | 191 | 6.75 | 171 | LPK66                                       |
| BP84                           | 5.31  | 135 | 9.50 | 241 | 8.75 | 222 | LPK84                                       |
| BP86                           | 7.68  | 195 | 9.50 | 241 | 8.75 | 222 | LPK86                                       |
| BP88                           | 10.06 | 256 | 9.50 | 241 | 8.75 | 222 | LPK88                                       |
| BP812                          | 14.81 | 376 | 9.50 | 241 | 8.75 | 222 | LPK812                                      |

Baffle Plates are intended to be used with Louver Plates when it is necessary to prevent direct access into the enclosure through the louver opening. The plate is designed to mount to the inside of the enclosure using the same cut-out and mounting holes required to mount the Louver Plate Kit. Plates are (16) gauge steel and have an ANSI 61 gray polyester powder finish. UL Listed.

### Hole Seals



Painted Steel - U.L. listed as Type 3R, 12, 13, & 4



Stainless Steel - U.L. listed as Type 4X

| Oil-Tight Hole Seals |           |                                      |                    |     |                    |     |  |
|----------------------|-----------|--------------------------------------|--------------------|-----|--------------------|-----|--|
| Catalog Number       |           | Application                          | Max. Hole Diameter |     | Hole Seal Diameter |     |  |
| Steel                | Stainless |                                      | in.                | mm  | in.                | mm  |  |
| SPBG                 | SPBGSS    | Miniature oil-tight pushbutton holes | 0.88               | 22  | 1.22               | 31  |  |
| SPB                  | SPBSS     | Standard oil-tight pushbutton holes  | 1.25               | 32  | 1.75               | 44  |  |
| S050                 | S050SS    | 1/2-inch conduit holes               | .88                | 22  | 1.38               | 35  |  |
| S075                 | S075SS    | 3/4-inch conduit holes               | 1.06               | 27  | 1.56               | 40  |  |
| S100                 | S100SS    | 1-inch conduit holes                 | 1.38               | 35  | 1.88               | 48  |  |
| S125                 | S125SS    | 1 1/4-inch conduit holes             | 1.69               | 43  | 2.19               | 56  |  |
| S150                 | S150SS    | 1 1/2-inch conduit holes             | 2.00               | 51  | 2.50               | 64  |  |
| S200                 | S200SS    | 2-inch conduit holes                 | 2.50               | 64  | 3.00               | 76  |  |
| S250                 | S250SS    | 2 1/2-inch conduit holes             | 3.00               | 76  | 3.50               | 89  |  |
| S300                 | S300SS    | 3-inch conduit holes                 | 3.62               | 92  | 4.12               | 105 |  |
| S350                 | S350SS    | 3 1/2-inch conduit hole              | 4.12               | 105 | 4.62               | 117 |  |
| S400                 | S400SS    | 4-inch conduit holes                 | 4.62               | 117 | 5.12               | 130 |  |

Protects knockout openings and extra pushbutton or conduit openings from dirt, oil, dust and water. Each hole seal has oil-resistant gasketing and plated stud and wing nut. Available in steel finished with ANSI 61 polyester powder or unpainted stainless steel.

Notes: Dimensions are in inches. Millimeters shown are for reference only. Data subject to change without notice.