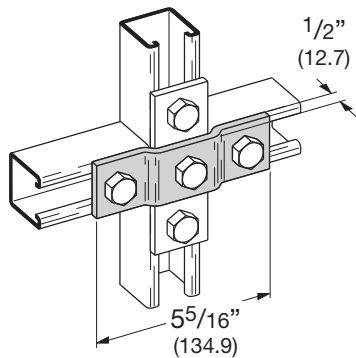


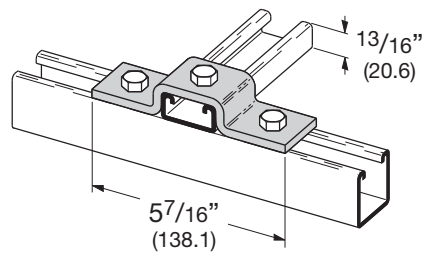
## B527 THREE HOLE OFFSET PLATE CONNECTION

- Standard finishes: ZN, GRN
- Wt./C 54 Lbs. (24.5 kg)



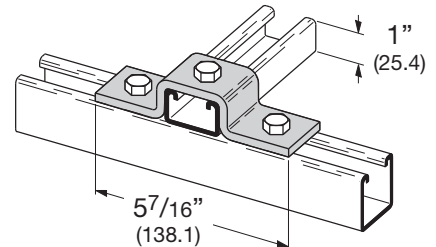
## B116-52 THREE HOLE U-SUPPORT

- Standard finishes: ZN, GRN
- Wt./C 70 Lbs. (31.7 kg)



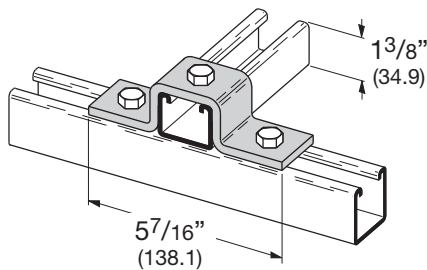
## B116-42 THREE HOLE U-SUPPORT

- Standard finishes: ZN, GRN
- Wt./C 75 Lbs. (34.0 kg)



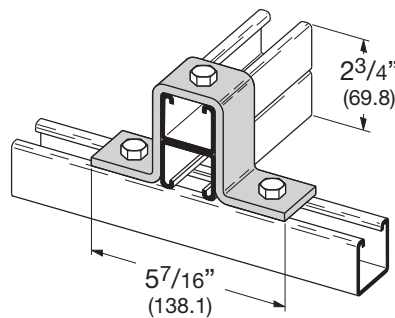
## B116-32 THREE HOLE U-SUPPORT

- Standard finishes: ZN, GRN
- Wt./C 84 Lbs. (38.1 kg)



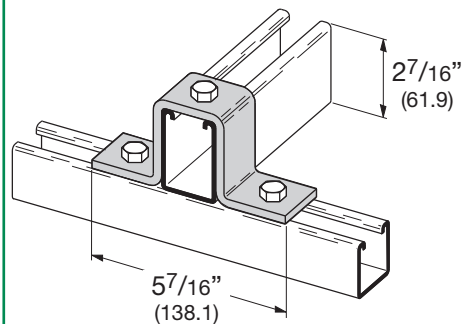
## B116-32A THREE HOLE U-SUPPORT

- Standard finishes: ZN, GRN
- Wt./C 116 Lbs. (52.6 kg)



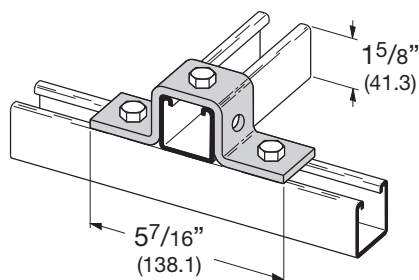
## B116-12 THREE HOLE U-SUPPORT

- Standard finishes: ZN, GRN
- Wt./C 108 Lbs. (49.0 kg)



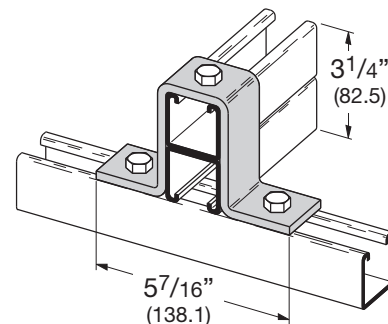
## B107 FIVE HOLE U-SUPPORT

- Standard finishes: ZN, GRN, HDG
- Wt./C 85 Lbs. (38.5 kg)



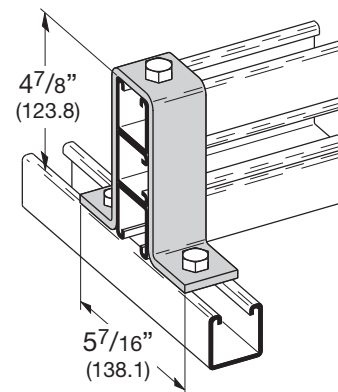
## B107-22A THREE HOLE U-SUPPORT

- Standard finishes: ZN, GRN
- Wt./C 126 Lbs. (57.1 kg)



## B588 THREE HOLE U-SUPPORT

- Standard finishes: ZN, GRN
- Wt./C 157 Lbs. (71.2 kg)



**PA** Preassembled fitting.

Reference page 72 for general fitting and standard finish specifications.