

Type 4X Panel Enclosures

Wall-Mount Enclosures Type 4X Single-Door Data and Illustration Sheet



Application

- Houses electrical controls and instruments
- Intended for indoor or outdoor use where a corrosive environment exists
- Protects against corrosion, windblown dust and rain, splashing water and hose directed water

Standards

- UL 508 listed, Type 4, Type 4X, Type 12 and Type 13
- CSA C22.2 No.94 certified, Type 4, Type 4X, Type 12 and Type 13
- Conforms to NEMA standard for Type 4, Type 4X, Type 12 and Type 13

Construction

- Enclosure and door are fabricated from (14) gauge, Type 304 or Type 316L stainless steel
- All continuous welded seams are finished smooth
- Doors are secured to the body with a heavy-duty, stainless steel continuous hinge and pin on one side and easy to release stainless steel door clamps mounted to the other three sides
- Each door has a padlock hasp with sealing hole provision
- Print pocket provided
- Door has a seamless poured in-place gasket
- Ground stud provided on door
- Formed lip around enclosure opening diverts liquids and contaminants
- .375-16 collar studs are provided for mounting optional panel
- External mounting feet are provided for secure wall mounting

Finish

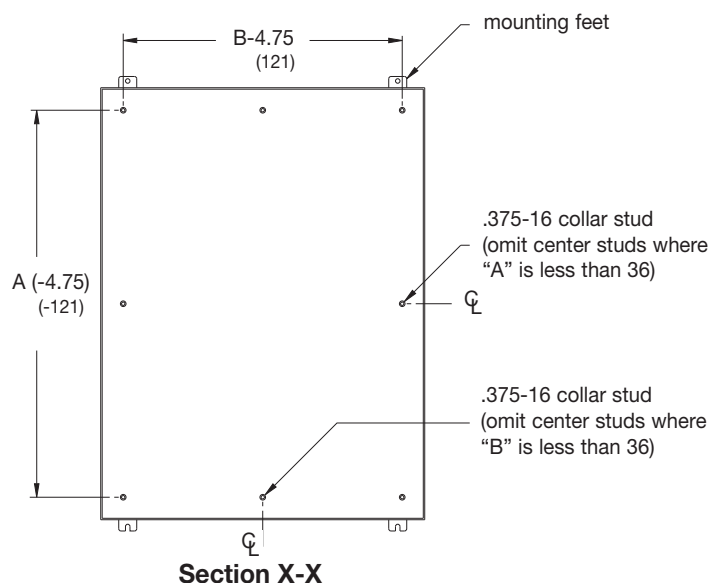
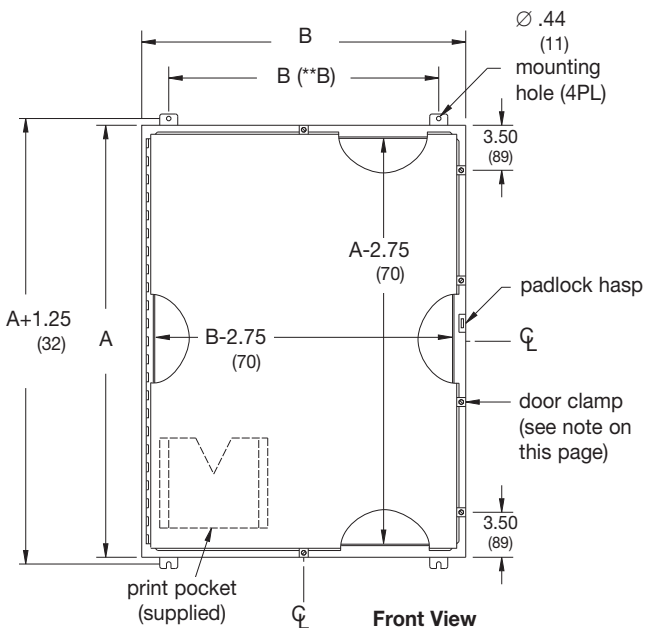
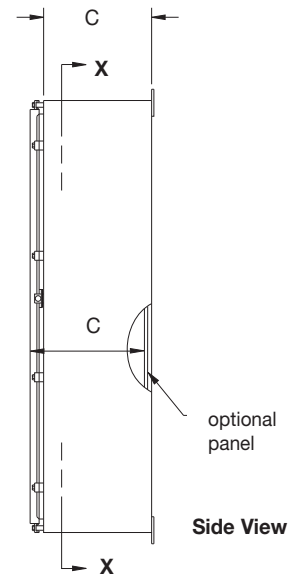
- Door and sides of body have a smooth #4 brushed finish

Accessories

- Panels
- NEMA terminal strap kit
- Terminal blocks
- Floor stand kit
- See Accessories section

Discount Schedule: C2

Subclass: DGO & D00



Notes: Dimensions: **B = (-2.50) if 12 inches wide; (-6.00) if wider than 12 inches.

Cooper B-Line can provide special sizes, finishes and other modifications. Consult the factory for your special requirements.

Type 4X Panel Enclosures

Wall-Mount Enclosures Type 4X Single-Door Catalog Number

| Enclosure Catalog Number Stainless Steel | | Enclosure Size Height x Width x Depth A x B x C | | Panel Catalog Number | | Panel Size Height x Width | |
|--|--------------|---|------------------|-------------------------|------------|------------------------------|------------|
| Type 304 | Type 316L | in. | mm | Steel | Conductive | in. | mm |
| 16126-4XS | 16126-4XSS6 | 16.00 x 12.00 x 6.00 | 406 x 305 x 152 | AW1612P | AW1612GP | 13.00 x 9.00 | 330 x 229 |
| 16166-4XS | 16166-4XSS6 | 16.00 x 16.00 x 6.00 | 406 x 406 x 152 | AW1616P | AW1616GP | 13.00 x 13.00 | 330 x 330 |
| 16206-4XS | 16206-4XSS6 | 16.00 x 20.00 x 6.00 | 406 x 508 x 152 | AW2016P | AW2016GP | 17.00 x 13.00 | 432 x 330 |
| 20166-4XS | 20166-4XSS6 | 20.00 x 16.00 x 6.00 | 208 x 406 x 152 | AW2016P | AW2016GP | 17.00 x 13.00 | 432 x 330 |
| 20206-4XS | 20206-4XSS6 | 20.00 x 20.00 x 6.00 | 508 x 508 x 152 | AW2020P | AW2020GP | 17.00 x 17.00 | 432 x 432 |
| 24126-4XS | 24126-4XSS6 | 24.00 x 12.00 x 6.00 | 610 x 305 x 152 | AW2412P | -- | 21.00 x 9.00 | 533 x 229 |
| 24166-4XS | 24166-4XSS6 | 24.00 x 16.00 x 6.00 | 610 x 406 x 152 | AW2416P | AW2416GP | 21.00 x 13.00 | 533 x 330 |
| 24206-4XS | 24206-4XSS6 | 24.00 x 20.00 x 6.00 | 610 x 508 x 152 | AW2420P | AW2420GP | 20.87 x 16.87 | 530 x 428 |
| 24246-4XS | 24246-4XSS6 | 24.00 x 24.00 x 6.00 | 610 x 610 x 152 | AW2424P | AW2424GP | 20.87 x 20.87 | 530 x 530 |
| 30246-4XS | 30246-4XSS6 | 30.00 x 24.00 x 6.00 | 762 x 610 x 152 | AW3024P | AW3024GP | 26.87 x 20.87 | 682 x 530 |
| 36246-4XS | 36246-4XSS6 | 36.00 x 24.00 x 6.00 | 914 x 610 x 152 | AW3624P | AW3624GP | 32.87 x 20.87 | 835 x 530 |
| 16128-4XS | 16128-4XSS6 | 16.00 x 12.00 x 8.00 | 406 x 305 x 203 | AW1612P | AW1612GP | 13.00 x 9.00 | 330 x 229 |
| 20168-4XS | 20168-4XSS6 | 20.00 x 16.00 x 8.00 | 508 x 406 x 203 | AW2016P | AW2016GP | 17.00 x 13.00 | 432 x 330 |
| 20208-4XS | 20208-4XSS6 | 20.00 x 20.00 x 8.00 | 508 x 508 x 203 | AW2020P | AW2020GP | 17.00 x 17.00 | 432 x 432 |
| 20248-4XS | 20248-4XSS6 | 20.00 x 24.00 x 8.00 | 508 x 610x203 | AW2420P | AW2420GP | 32.87 x 26.87 | 835 x 682 |
| 24168-4XS | 24168-4XSS6 | 24.00 x 16.00 x 8.00 | 610 x 406 x 203 | AW2416P | AW2416GP | 21.00 x 13.00 | 533 x 330 |
| 24208-4XS | 24208-4XSS6 | 24.00 x 20.00 x 8.00 | 610 x 508 x 203 | AW2420P | AW2420GP | 20.87 x 16.87 | 530 x 428 |
| 24248-4XS | 24248-4XSS6 | 24.00 x 24.00 x 8.00 | 610 x 610 x 203 | AW2424P | AW2424GP | 20.87 x 20.87 | 530 x 530 |
| 24308-4XS | 24308-4XSS6 | 24.00 x 30.00 x 8.00 | 610 x 762 x 203 | AW3024P | AW3024GP | 26.87 x 20.87 | 682 x 530 |
| 30208-4XS | 30208-4XSS6 | 30.00 x 20.00 x 8.00 | 762 x 508 x 203 | AW3020P | AW3020GP | 26.87 x 16.87 | 682 x 428 |
| 30248-4XS | 30248-4XSS6 | 30.00 x 24.00 x 8.00 | 762 x 610 x 203 | AW3024P | AW3024GP | 26.87 x 20.87 | 682 x 530 |
| 30308-4XS | 30308-4XSS6 | 30.00 x 30.00 x 8.00 | 762 x 762 x 203 | AW3030P | AW3030GP | 26.87 x 26.87 | 682 x 682 |
| 36248-4XS | 36248-4XSS6 | 36.00 x 24.00 x 8.00 | 914 x 610 x 203 | AW3624P | AW3624GP | 32.87 x 20.87 | 835 x 530 |
| 36308-4XS | 36308-4XSS6 | 36.00 x 30.00 x 8.00 | 914 x 762 x 203 | AW3630P | AW3630GP | 32.87 x 26.87 | 835 x 682 |
| 42308-4XS | 42308-4XSS6 | 42.00 x 30.00 x 8.00 | 1067 x 762 x 203 | AW4230P | AW4230GP | 38.87 x 26.87 | 987 x 682 |
| 42368-4XS | 42368-4XSS6 | 42.00 x 36.00 x 8.00 | 1067 x 914 x 203 | AW4236P | AW4236GP | 38.87 x 32.87 | 987 x 835 |
| 48368-4XS | 48368-4XSS6 | 48.00 x 36.00 x 8.00 | 1219 x 914 x 203 | AW4836P | AW4836GP | 44.87 x 32.87 | 1140 x 835 |
| 201610-4XS | 201610-4XSS6 | 20.00 x 16.00 x 10.00 | 508 x 406 x 254 | AW2016P | AW2016GP | 17.00 x 13.00 | 432 x 330 |
| 242010-4XS | 242010-4XSS6 | 24.00 x 20.00 x 10.00 | 610 x 508 x 254 | AW2420P | AW2420GP | 20.87 x 16.87 | 530 x 428 |
| 302410-4XS | 302410-4XSS6 | 30.00 x 24.00 x 10.00 | 762 x 610 x 254 | AW3024P | AW3024GP | 26.87 x 20.87 | 682 x 530 |
| 362410-4XS | 362410-4XSS6 | 36.00 x 24.00 x 10.00 | 914 x 610 x 254 | AW3624P | AW3624GP | 32.87 x 20.87 | 835 x 530 |
| 363010-4XS | 363010-4XSS6 | 36.00 x 30.00 x 10.00 | 914 x 762 x 254 | AW3630P | AW3630GP | 32.87 x 26.87 | 835 x 682 |
| 423010-4XS | 423010-4XSS6 | 42.00 x 30.00 x 10.00 | 1067 x 762 x 254 | AW4230P | AW4230GP | 38.87 x 26.87 | 987 x 682 |
| 483010-4XS | 483010-4XSS6 | 48.00 x 30.00 x 10.00 | 1219 x 762 x 254 | AW4830P | AW4830GP | 44.87 x 26.87 | 1140 x 682 |
| 483610-4XS | 483610-4XSS6 | 48.00 x 36.00 x 10.00 | 1219 x 914 x 254 | AW4836P | AW4836GP | 44.87 x 32.87 | 1140 x 835 |
| 603610-4XS | 603610-4XSS6 | 60.00 x 36.00 x 10.00 | 1524 x 914 x 254 | AW6036P | AW6036GP | 56.87 x 32.87 | 1444 x 835 |
| 242412-4XS | 242412-4XSS6 | 24.00 x 24.00 x 12.00 | 610 x 610 x 305 | AW2424P | AW2424GP | 20.87 x 20.87 | 530 x 530 |
| 302412-4XS | 302412-4XSS6 | 30.00 x 24.00 x 12.00 | 762 x 610 x 305 | AW3024P | AW3024GP | 26.87 x 20.87 | 682 x 530 |
| 363012-4XS | 363012-4XSS6 | 36.00 x 30.00 x 12.00 | 914 x 762 x 305 | AW3630P | AW3630GP | 32.87 x 26.87 | 835 x 682 |
| 363612-4XS | 363612-4XSS6 | 36.00 x 36.00 x 12.00 | 914 x 914 x 305 | AW3636P | -- | 32.87 x 32.87 | 835 x 835 |
| 483612-4XS | 483612-4XSS6 | 48.00 x 36.00 x 12.00 | 1219 x 914 x 305 | AW4836P | AW4836GP | 44.87 x 32.87 | 1140 x 835 |
| 603612-4XS | 603612-4XSS6 | 60.00 x 36.00 x 12.00 | 1524 x 914 x 305 | AW6036P | AW6036GP | 56.87 x 32.87 | 1444 x 835 |
| 302416-4XS | 302416-4XSS6 | 30.00 x 24.00 x 16.00 | 762 x 610 x 406 | AW3024P | AW3024GP | 26.87 x 20.87 | 682 x 530 |
| 363016-4XS | 363016-4XSS6 | 36.00 x 30.00 x 16.00 | 914 x 762 x 406 | AW3630P | AW3630GP | 32.87 x 26.87 | 835 x 682 |
| 483616-4XS | 483616-4XSS6 | 48.00 x 36.00 x 16.00 | 1219 x 914 x 406 | AW4836P | AW4836GP | 44.87 x 32.87 | 1140 x 835 |
| 603616-4XS | 603616-4XSS6 | 60.00 x 36.00 x 16.00 | 1524 x 914 x 406 | AW6036P | AW6036GP | 56.87 x 32.87 | 1444 x 835 |

Notes: Clamps are mounted along three sides of the enclosure door. Spacing between clamps along side opposite the hinge does not exceed 15 inches. Dimensions are in inches. Millimeters shown are for reference only. Data subject to change without notice.