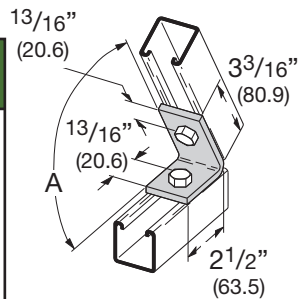


## B156 - B161 TWO HOLE CLOSED ANGLE

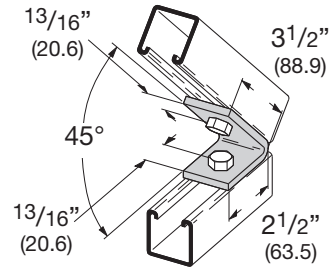
- Standard finishes: ZN, GRN

Part No.	A	Wt./C	
		Lbs.	kg
B156	82 <sup>1</sup> / <sub>2</sub> °	56	(25.4)
B157	75°		
B158	67 <sup>1</sup> / <sub>2</sub> °		
B159	60°		
B160	52 <sup>1</sup> / <sub>2</sub> °		
B161	37 <sup>1</sup> / <sub>2</sub> °		



## B155 TWO HOLE CLOSED ANGLE

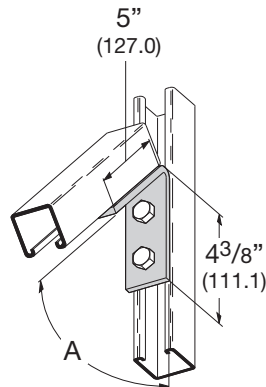
- Standard finishes: ZN, GRN, HDG, SS4
- Wt./C 63 Lbs. (28.6 kg)



## B363 - B369 FOUR HOLE CLOSED ANGLE

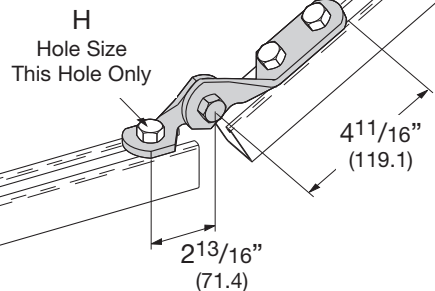
- Standard finishes: ZN, GRN

Part No.	A	Wt./C	
		Lbs.	kg
B363	82 <sup>1</sup> / <sub>2</sub> °	95	(43.1)
B364	75°		
B365	67 <sup>1</sup> / <sub>2</sub> °		
B366	60°		
B367	52 <sup>1</sup> / <sub>2</sub> °		
B368	45°		
B369	37 <sup>1</sup> / <sub>2</sub> °		



## B335-2 SERIES THREE HOLE ADJUSTABLE HINGE

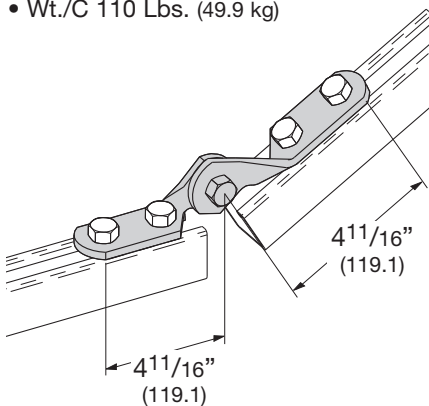
- OSHPD approved for Seismic Zone 4
- Standard finishes: ZN, GRN



Part No. & Size	Hole Size H		Wt./C	
	H	Lbs.	kg	
B335-2-3/8	7/16" (11.1)	96	(43.2)	
B335-2-1/2	9/16" (14.3)	94	(42.3)	
B335-2-5/8	11/16" (17.4)	92	(41.4)	
B335-2-3/4	13/16" (20.6)	90	(40.5)	

## B335 FOUR HOLE ADJUSTABLE HINGE

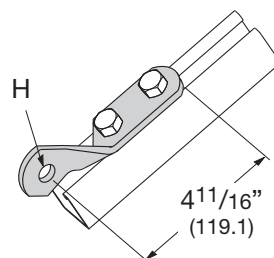
- Standard finishes: ZN, GRN
- Wt./C 110 Lbs. (49.9 kg)



## B335V TWO HOLE HALF HINGE

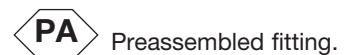
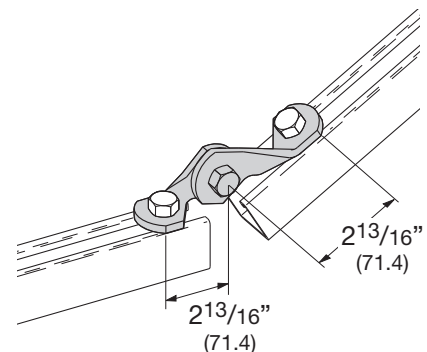
- Standard finishes: ZN, GRN

Part No. & Size	Hole Size H		Wt./C	
	H	Lbs.	kg	
B335V-1/2	9/16" (14.3)	53	(24.1)	
B335V-5/8	11/16" (17.4)	54	(24.5)	
B335V-3/4	13/16" (20.6)	55	(24.9)	



## B335-1 TWO HOLE ADJUSTABLE HINGE

- Standard finishes: ZN, GRN
- Wt./C 78 Lbs. (35.4 kg)



Reference page 72 for general fitting and standard finish specifications.