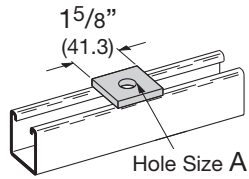


# Flat Plate Fittings

## B200-B202-2

- Standard finishes: ZN, GRN, HDG, SS4, SS6, AL

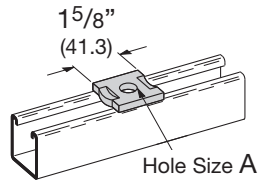


## SQUARE WASHER

Part No.	A	(A)	Bolt Size	Wt./C	
				Lbs.	kg
B200	3/8"	(9.5)	5/16" (7.9)	18	(8.1)
B201	7/16"	(11.1)	3/8" (9.5)	18	(8.1)
B202	9/16"	(14.2)	1/2" (12.7)	17	(7.7)
B202-1	11/16"	(17.4)	5/8" (15.9)	16	(7.2)
B202-2	13/16"	(20.6)	3/4" (19.0)	15	(6.8)

## B200D-B202-2D

- Standard finishes: ZN, GRN, HDG, SS4, SS6, AL



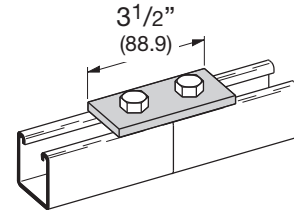
## NO TWIST SQUARE WASHER

Part No.	A	(A)	Bolt Size	Wt./C	
				Lbs.	kg
B200D	3/8"	(9.5)	5/16" (7.9)	18	(8.1)
B201D	7/16"	(11.1)	3/8" (9.5)	18	(8.1)
B202D	9/16"	(14.2)	1/2" (12.7)	17	(7.7)
B202-1D	11/16"	(17.4)	5/8" (15.9)	16	(7.2)
B202-2D	13/16"	(20.6)	3/4" (19.0)	15	(6.8)

## B129

### TWO HOLE SPLICE PLATE

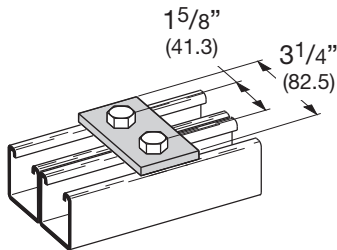
- Standard finishes: ZN, GRN
- Wt./C 37 Lbs. (16.8 kg)



## B340

### TWO HOLE SPLICE PLATE

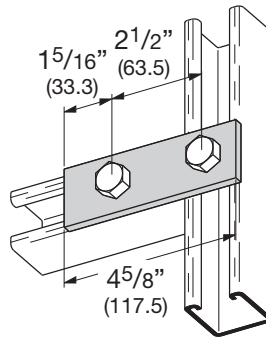
- Standard finishes: ZN, GRN
- Wt./C 34 Lbs. (15.4 kg)



## B528

### TWO HOLE SPLICE PLATE

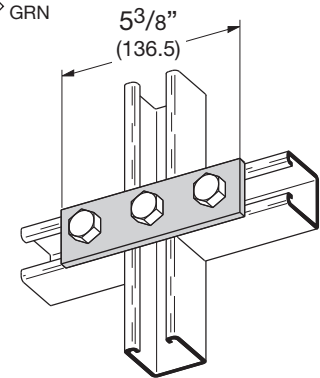
- Standard finishes: ZN, GRN
- Wt./C 50 Lbs. (22.7 kg)



## B141

### THREE HOLE SPLICE PLATE

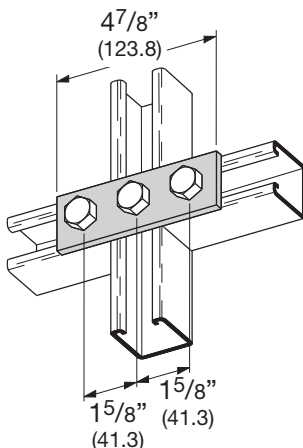
- Standard finishes: ZN, GRN
- Wt./C 55 Lbs. (24.9 kg)



## B557

### THREE HOLE SPLICE PLATE

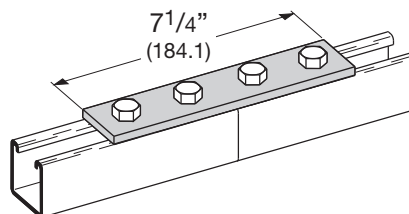
- Standard finishes: ZN, GRN
- Wt./C 50 Lbs. (22.7 kg)



## B341

### FOUR HOLE SPLICE PLATE

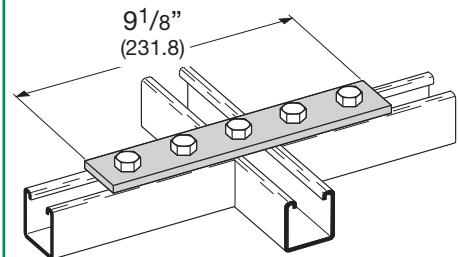
- Standard finishes: ZN, GRN, HDG
- Wt./C 76 Lbs. (34.5 kg)



## B342

### FIVE HOLE SPLICE PLATE

- Standard finishes: ZN, GRN
- Wt./C 96 Lbs. (43.5 kg)



Preassembled fitting.

Reference page 72 for general fitting and standard finish specifications.