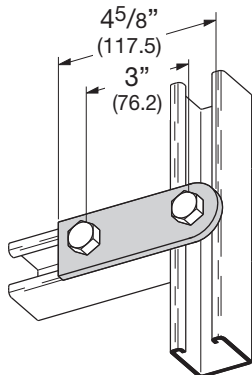


Flat Plate Fittings

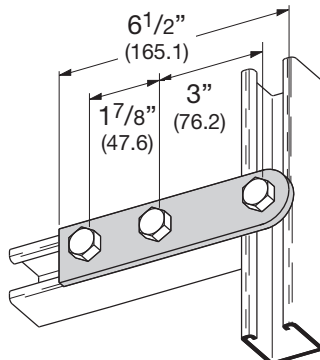
B138 TWO HOLE SWIVEL PLATE

- Standard finishes: ZN, GRN
- Wt./C 48 Lbs. (21.8 kg)



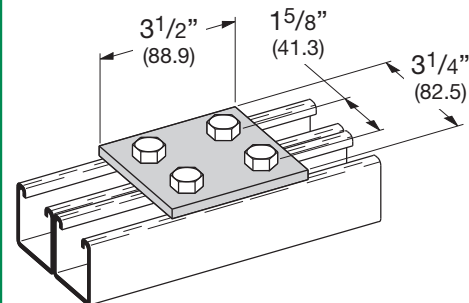
B139 THREE HOLE SWIVEL PLATE

- Standard finishes: ZN, GRN
- Wt./C 69 Lbs. (31.3 kg)



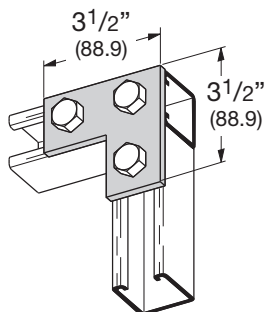
B504 FOUR HOLE SPLICE PLATE

- Standard finishes: ZN, GRN
- Wt./C 73 Lbs. (33.1 kg)



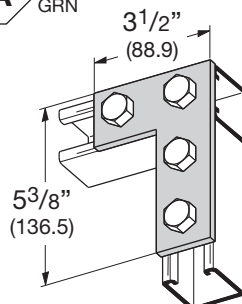
B140 THREE HOLE CORNER PLATE

- Standard finishes: ZN, GRN, HDG, SS4
- Wt./C 56 Lbs. (25.4 kg)



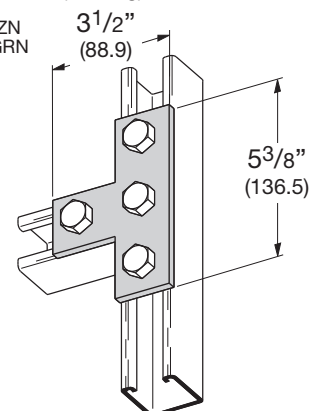
B143 FOUR HOLE CORNER PLATE

- Standard finishes: ZN, GRN, HDG, SS4
- Wt./C 75 Lbs. (34.0 kg)



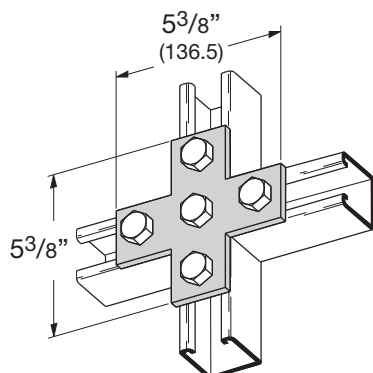
B133 FOUR HOLE TEE PLATE

- Standard finishes: ZN, GRN, HDG, SS4, AL
- Wt./C 75 Lbs. (34.0 kg)



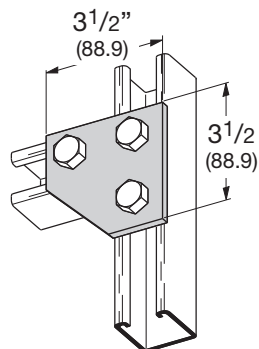
B132 FIVE HOLE CROSS PLATE

- Standard finishes: ZN, GRN, HDG
- Wt./C 100 Lbs. (45.3 kg)



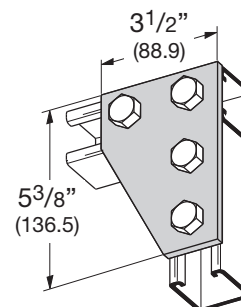
B135 THREE HOLE CORNER GUSSET PLATE

- Standard finishes: ZN, GRN
- Wt./C 70 Lbs. (31.7 kg)



B142 FOUR HOLE CORNER GUSSET PLATE

- Standard finishes: ZN, GRN, HDG
- Wt./C 102 Lbs. (46.2 kg)



Strut Fittings

PA Preassembled fitting.

Reference page 72 for general fitting and standard finish specifications.