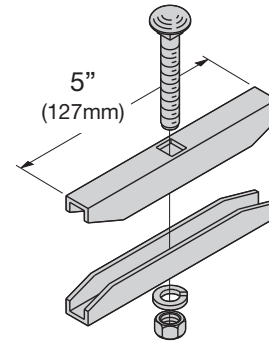
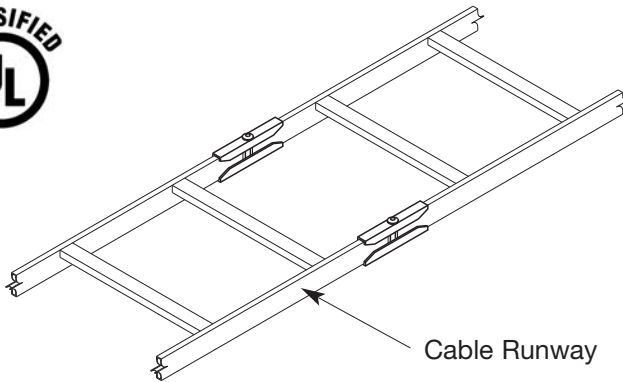
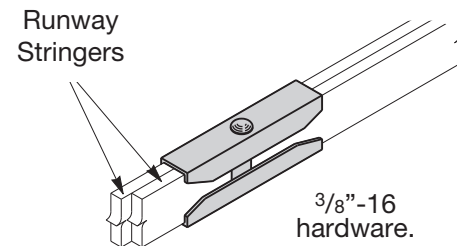


Cable Runway Butt-Splice Clamp & Kit

- Use to connect runway stringers.
- SB166A & SB166B includes one (1) clamp and hardware as shown.
- SB2107 kit includes two (2) clamps and hardware as shown.
- Material: ASTM A570 structural steel
- Finish___: Yellow Zinc (YZ) or Black Zinc (BZ)
- UL Classified - file number E60548



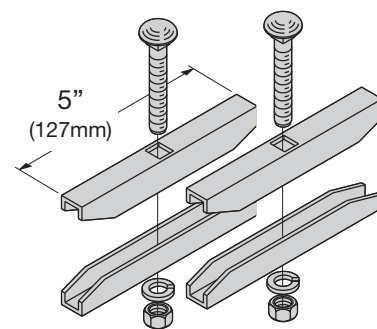
SB166A
For Single Stringer



SB166B For Dual Stringers

One Splice Clamp

Part Number	Runway Height		Stringer Style	Weight	
	In.	(mm)		Lbs.	(kg)
SB166A___	1 1/2"	(38)	Single	0.48	(.22)
SB166B___	1 1/2"	(38)	Dual	0.74	(.33)



SB2107
Kit For Single Stringers

Pair of Splice Clamps

Part Number	Runway Height		Stringer Style	Weight	
	In.	(mm)		Lbs.	(kg)
✓ SB2107___	1 1/2"	(38)	Single	0.95	(.43)

- ✓ BZ & YZ are popular items