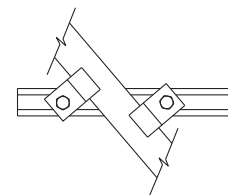
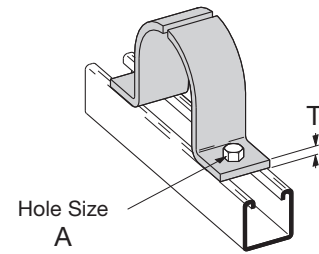


## B437 SERIES TWO PIECE PIPE STRAP

- Clamp halves can turn allowing pipe to be fastened to channel at any direction
- Order hardware separately
- Standard finish: ZN

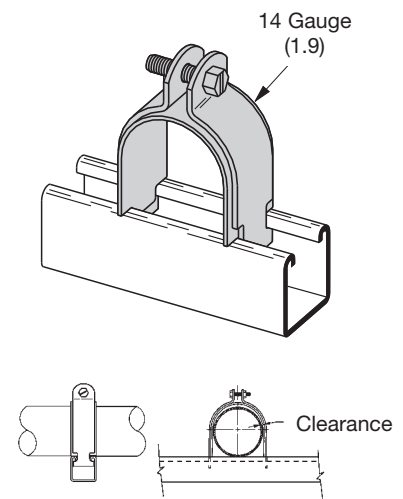
| Part No.   | Pipe Size |       | A     |        | T      |       | Wt./C |         |
|------------|-----------|-------|-------|--------|--------|-------|-------|---------|
|            | in        | (mm)  | in    | (mm)   | Ga.    | (mm)  | Lbs.  | kg      |
| B437-1/2   | 1/2"      | (15)  | 5/16" | (7.9)  | 10 Ga. | (3.4) | 22    | (10.0)  |
| B437-3/4   | 3/4"      | (20)  | 5/16" | (7.9)  | 10 Ga. | (3.4) | 26    | (11.8)  |
| B437-1     | 1"        | (25)  | 5/16" | (7.9)  | 10 Ga. | (3.4) | 30    | (13.6)  |
| B437-1 1/4 | 1 1/4"    | (32)  | 5/16" | (7.9)  | 10 Ga. | (3.4) | 35    | (15.9)  |
| B437-1 1/2 | 1 1/2"    | (40)  | 5/16" | (7.9)  | 10 Ga. | (3.4) | 38    | (17.2)  |
| B437-2     | 2"        | (50)  | 7/16" | (11.1) | 1/4"   | (6.3) | 91    | (41.3)  |
| B437-2 1/2 | 2 1/2"    | (65)  | 7/16" | (11.1) | 1/4"   | (6.3) | 104   | (47.2)  |
| B437-3     | 3"        | (80)  | 7/16" | (11.1) | 1/4"   | (6.3) | 130   | (58.9)  |
| B437-3 1/2 | 3 1/2"    | (90)  | 7/16" | (11.1) | 1/4"   | (6.3) | 149   | (67.6)  |
| B437-4     | 4"        | (100) | 9/16" | (11.1) | 1/4"   | (6.3) | 158   | (71.6)  |
| B437-5     | 5"        | (125) | 9/16" | (11.1) | 1/4"   | (6.3) | 190   | (86.2)  |
| B437-6     | 6"        | (150) | 9/16" | (11.1) | 1/4"   | (6.3) | 217   | (98.4)  |
| B437-8     | 8"        | (200) | 9/16" | (11.1) | 1/4"   | (6.3) | 295   | (133.8) |



## B2417 STRUT MOUNTED PIPE GUIDE

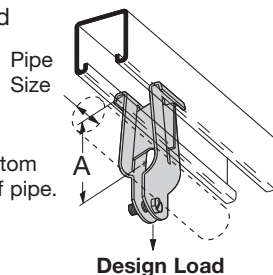
- Copper tubing sizes available - B2417CT Series
- Standard finish: ZN

| Part No.    | Pipe Size |      | Minimum Radial Clearance |       | Includes Clamp No. | Wt./C |        |
|-------------|-----------|------|--------------------------|-------|--------------------|-------|--------|
|             | in        | (mm) | in                       | (mm)  |                    | Lbs.  | kg     |
| B2417-1/2   | 1/2"      | (15) | 1/16"                    | (1.6) | B2009              | 22    | (10.0) |
| B2417-3/4   | 3/4"      | (20) | 1/16"                    | (1.6) | B2010              | 25    | (11.3) |
| B2417-1     | 1"        | (25) | 3/32"                    | (2.3) | B2034              | 30    | (13.6) |
| B2417-1 1/4 | 1 1/4"    | (32) | 3/32"                    | (2.3) | B2037              | 47    | (21.8) |
| B2417-1 1/2 | 1 1/2"    | (40) | 3/32"                    | (2.3) | B2039              | 51    | (23.1) |
| B2417-2     | 2"        | (50) | 1/8"                     | (3.2) | B2043              | 62    | (28.1) |
| B2417-2 1/2 | 2 1/2"    | (65) | 1/8"                     | (3.2) | B2047              | 69    | (31.3) |
| B2417-3     | 3"        | (80) | 5/32"                    | (3.9) | B2016              | 108   | (49.0) |
| B2417-3 1/2 | 3 1/2"    | (90) | 5/32"                    | (3.9) | B2017              | 118   | (53.5) |



## B2070 THRU B2080 PARALLEL PIPE CLAMP

- Safety Factor of 2
- Designed to support pipe or rigid conduit
- Includes:
  - 1 pr. Pipe Clamps
  - 1 pc. Stand Off Plate
  - 1 pc. Slotted Hex Head Machine Screws
  - 1 pc. Square Nut
- Standard finish: ZN



A dimension, from bottom of channel to center of pipe.

| Part No. | Pipe Size |       | A        |        | Material Thickness | Design Load |        | Wt./C |        |
|----------|-----------|-------|----------|--------|--------------------|-------------|--------|-------|--------|
|          | in        | (mm)  | in       | (mm)   |                    | Lbs.        | kN     | Lbs.  | kg     |
| B2070    | 3/8"      | (10)  | 1 11/16" | (42.9) | 16 Ga. (1.5)       | 300         | (1.33) | 24    | (10.9) |
| B2071    | 1/2"      | (15)  | 1 3/4"   | (44.4) | 16 Ga. (1.5)       | 300         | (1.33) | 26    | (11.8) |
| B2072    | 3/4"      | (20)  | 1 7/8"   | (47.6) | 14 Ga. (1.9)       | 300         | (1.33) | 30    | (13.6) |
| B2073    | 1"        | (25)  | 2"       | (50.8) | 14 Ga. (1.9)       | 400         | (1.78) | 33    | (14.9) |
| B2074    | 1 1/4"    | (32)  | 2 3/16"  | (55.6) | 14 Ga. (1.9)       | 400         | (1.78) | 36    | (16.3) |
| B2075    | 1 1/2"    | (40)  | 2 5/16"  | (58.7) | 12 Ga. (2.6)       | 500         | (2.22) | 50    | (22.7) |
| B2076    | 2"        | (50)  | 2 9/16"  | (65.1) | 12 Ga. (2.6)       | 500         | (2.22) | 55    | (24.9) |
| B2077    | 2 1/2"    | (65)  | 2 7/8"   | (73.0) | 12 Ga. (2.6)       | 500         | (2.22) | 60    | (27.2) |
| B2078    | 3"        | (80)  | 3 3/16"  | (80.9) | 12 Ga. (2.6)       | 500         | (2.22) | 66    | (29.9) |
| B2079    | 3 1/2"    | (90)  | 3 7/16"  | (87.3) | 11 Ga. (3.0)       | 500         | (2.22) | 85    | (38.5) |
| B2080    | 4"        | (100) | 3 5/8"   | (92.1) | 11 Ga. (3.0)       | 500         | (2.22) | 95    | (43.1) |

Reference page 126 for general fitting and standard finish specifications.