



Date: _____ Type: _____

Firm Name: _____

Project: _____

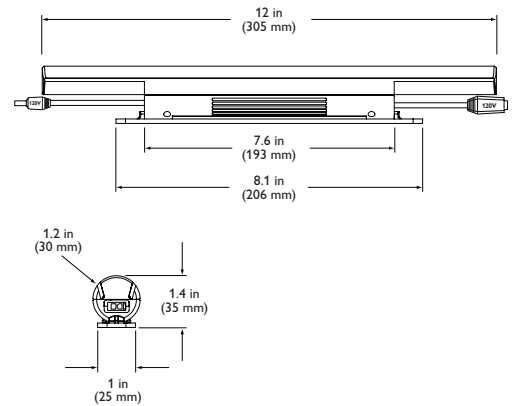
eW Cove EC Powercore

4000 K, 6 in (152 mm)

Cost-effective linear interior LED cove and accent fixture with solid white light

eW Cove EC Powercore is a dimmable, linear LED fixture that provides an affordable, energy-efficient alternative to traditional cove lighting in applications requiring white light. With its low profile, rotating housing and flexible end-to-end locking power connectors, eW Cove EC Powercore is the perfect choice for a wide range of interior retail, exhibit, hospitality, and architectural settings.

- Integrates patented Powercore technology — Powercore rapidly, efficiently, and accurately controls power output to fixtures directly from line voltage, eliminating the need for an external power supply. Contractor-friendly installation dramatically simplifies installation and lowers total system cost.
- Warm and cool color temperatures — Warm 2700 K fixtures are appropriate for intimate, open environments such as restaurants and hotel lobbies. Cool 4000 K fixtures are appropriate for lighting clean and efficient spaces such as offices, classrooms, and hospitals.
- Superior binning algorithm sets new standard for color consistency — eW Cove EC Powercore exceeds the recognized standards for color quality to guarantee uniformity and consistency of hue and color temperature across LEDs, fixtures, and manufacturing runs.
- Support for multiple voltages — eW Cove EC Powercore accepts power input of 100, 120, or 220 – 240 VAC for consistent installation and operation from line voltage in a variety of locations.
- Dimming capability — Patented DIMand technology offers smooth dimming capability with selected commercially available reverse-phase ELV-type dimmers.
- Compact and flexible — eW Cove EC Powercore low-profile fixtures fit in narrow alcoves, display cases, light boxes, and other



tight spaces where light sources requiring ballasts, external power supplies, and other auxiliary equipment can not. Sizes of 12 in (305 mm) and 6 in (152 mm) offer further flexibility in positioning.

- Easy installation — Powercore delivers line voltage directly to the fixtures, simplifying installation by eliminating the need for external power supplies and allowing long product runs. Easy-to-install 4 ft (1.2 m) mounting tracks allow quick project setup in linear applications.
- Flexible mounting and positioning — With end-to-end locking power connectors that can make 180° turns, eW Cove EC Powercore fixtures are easy to position in even the most challenging mounting circumstances. Fixtures rotate in 10° increments through a full 180° for precise aiming and beam mixing. Optional mounting tracks support vertical and overhead positioning. 1 ft (305 mm) and 5 ft (1.5 m) jumper cables can add extra space between fixtures.

For detailed product information, please refer to the eW Cove EC Powercore Product Guide at www.philipscolorkinetics.com/ls/essentialwhite/ewcoveecpc/

PHILIPS

Specifications

Due to continuous improvements and innovations, specifications may change without notice.

Item	Specification	Details
Output	Color Temperature	4000 K*
	Beam Angle	110° x 110°
	Lumens†	41
	Efficacy (lm / W)	36.4
	CRI	84
	Lumen Maintenance‡	70,000 hours L70 @ 25° C 50,000 hours L70 @ 50° C 90,000 hours L50 @ 25° C 70,000 hours L50 @ 50° C
Electrical	Input Voltage	100 / 120 / 220 – 240 VAC, auto-switching, 50 / 60 Hz
	Power Consumption	1.5 W maximum at full output, steady state
	Power Factor	.96 @ 120 VAC
Control	Dimming	Compatible with selected commercially available reverse-phase ELV-type dimmers§
Physical	Dimensions (Height x Width x Depth)	1.25 x 6 x 1.4 in (32 x 152 x 35 mm)
	Weight	0.19 lbs (85 g)
	Housing	Injection-molded plastic, dark-gray finish
	Lens	Clear polycarbonate
	Fixture Connections	Integral male / female connectors
	Temperature Ranges	-4° – 122° F (-20° – 50° C) Operating -4° – 122° F (-20° – 50° C) Startup -40° – 176° F (-40° – 80° C) Storage
	Humidity	0 – 95%, non-condensing
	Fixture Run Lengths	To calculate fixture run lengths and total power consumption for your specific installation, download the Configuration Calculator from www.philipscolorkinetics.com/support/install_tool/
Certification and Safety	Certification	UL / cUL, FCC Class B, CE, CCC, C-Tick, SAA
	Environment	Dry Location, IP20
	Energy Efficiency	California Title 24 Compliant

* Color temperatures conform to nominal CCTs as defined in ANSI Chromaticity Standard C78.377A.



† Lumen measurement complies with IES LM-79-08 testing procedures.

‡ L70 = 70% lumen maintenance (when light output drops below 70% of initial output). L50 = 50% lumen maintenance (when light output drops below 50% of initial output). Ambient luminaire temperatures specified. Lumen maintenance calculations are based on lifetime prediction graphs supplied by LED source manufacturers. Calculations for white-light LED fixtures are based on measurements that comply with IES LM-80-08 testing procedures. Refer to www.philipscolorkinetics.com/support/appnotes/lm-80-08.pdf for more information.

§ Refer to www.philipscolorkinetics.com/support/appnotes/ for specific details.

Accessories

Item	Type	Size	Item Number	Philips 12NC
Leader Cable with terminator and strain relief	UL / cUL	10 ft (3 m)	108-000032-00	910503700586
	CE	10 ft (3 m)	108-000032-02	910403325901
Wiring Compartment with terminator	UL / cUL		120-000076-00	910503700597
Leader Cable with plug	UL / cUL	8 ft (2.4 m)	108-000032-03	910503700394
Jumper Cable	UL / cUL	1 ft (305 mm)	108-000033-00	910403600101
		5 ft (1.5 m)	108-000033-01	910403600102
	CE	1 ft (305 mm)	108-000033-02	910403326001
		5 ft (1.5 m)	108-000033-03	910403326101
Mounting Track		4 ft (1219 mm)	523-000006-01	910503700452

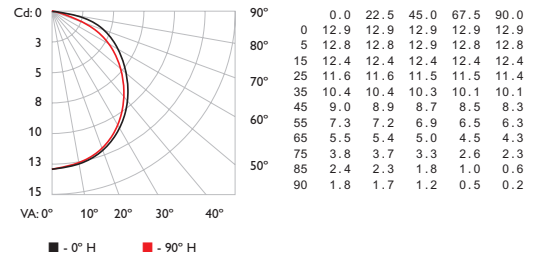


Philips Color Kinetics
3 Burlington Woods Drive
Burlington, Massachusetts 01803 USA
Tel 888.385.5742
Tel 617.423.9999
Fax 617.423.9998
www.philipscolorkinetics.com

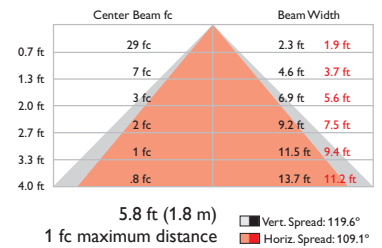
Photometrics

4000 K, 6 in (152 mm)

Polar Candela Distribution



Illuminance at Distance



Lumens	41
Efficacy	36.4 lm / W

For lux multiply fc by 10.7

Fixtures

Item	Type	Size	Item Number	Philips 12NC
100 VAC	2700 K	6 in (152 mm)	523-000005-61	910503701061
		12 in (305 mm)	523-000004-61	910503701045
	4000 K	6 in (152 mm)	523-000005-67	910503701067
		12 in (305 mm)	523-000004-73	910503701057
	Blue	12 in (305 mm)	223-000004-70	910503701081
	Amber	12 in (305 mm)	223-000004-71	910503701082
120 VAC UL / cUL	2700 K	6 in (152 mm)	523-000005-60	910503701060
		12 in (305 mm)	523-000004-60	910503701044
	4000 K	6 in (152 mm)	523-000005-66	910503701066
		12 in (305 mm)	523-000004-72	910503701056
	Blue	12 in (305 mm)	223-000004-62	910503701073
	Amber	12 in (305 mm)	223-000004-63	910503701074
220 – 240 VAC / CE Fixture only	2700 K	12 in (305 mm)	523-000004-62	910503701046
	4000 K	12 in (305 mm)	523-000004-74	910503701058
	Blue	12 in (305 mm)	223-000004-66	910503701077
220 – 240 VAC / CE Fixture and 10 ft (3 m) Leader Cable with terminator	Amber	12 in (305 mm)	223-000004-67	910503701078
	2700 K	12 in (305 mm)	523-000004-63	910503701047
	4000 K	12 in (305 mm)	523-000004-75	910503701059
220 – 240 VAC / CCC	2700 K	12 in (305 mm)	523-000004-76	910503701672
	4000 K	12 in (305 mm)	523-000004-77	910503701673
	Blue	12 in (305 mm)	223-000004-72	910503701670
	Amber	12 in (305 mm)	223-000004-73	910503701671

Use Item Number when ordering in North America.

Copyright © 2010 – 2012 Philips Solid-State Lighting Solutions, Inc. All rights reserved. Chromacore, Chromasic, CK, the CK logo, Color Kinetics, the Color Kinetics logo, ColorBlast, ColorBlaze, ColorBurst, ColorGraze, ColorPlay, ColorReach, iW Reach, eW Reach, eW Fuse, DIMand, EssentialWhite, eW, iColor, iColor Cove, IntelliWhite, iV, iPlayer, Optibin, and Powercore are either registered trademarks or trademarks of Philips Solid-State Lighting Solutions, Inc. in the United States and / or other countries. All other brand or product names are trademarks or registered trademarks of their respective owners. Due to continuous improvements and innovations, specifications may change without notice. DAS-000070-04 R06 07-12