

## Vaya Cove, Color

Philips Vaya Cove is a cost effective and reliable color-changing light fixture for interior use. Vaya Cove is designed for cove and accent lighting applications. Three lengths, standard 24V DC power and DMX-512 control make this product easy to use with Philips or third-party DMX controllers.



### Key Features

- Cost effective, reliable LED lighting fixture
- 120° Beam Angle
- Low Voltage, 24V DC input power
- DMX-512 control
- Interior use

### Product Data

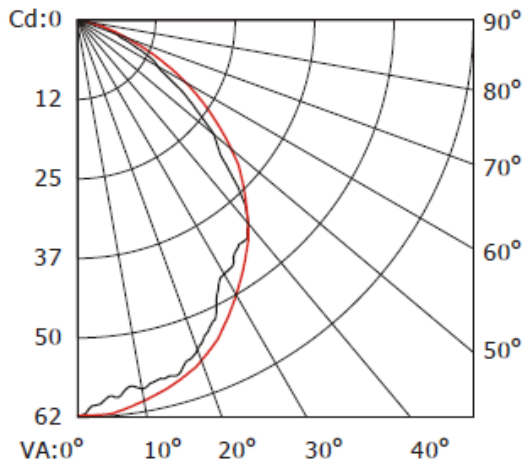
Height	21.5 mm (0.85 in) (including surface mount clip)		
Width	32 mm (1.25 in) (including surface mount clip)		
Lengths	0.3 m (11.8 in)	0.59 m (23 in)	1.16 m (45.7 in)
Mounting	Removable mounting clips for flush mounting		
Source	High-brightness Red, Green and Blue LEDs		
Beam Angle	120°		
Luminous Flux	38 lm	75 lm	150 lm
Lumen Maintenance	50,000 hrs L <sub>50</sub> at 25°C		
Housing / Lens	Extruded polycarbonate, white housing with clear lens		
Weight	90 g (0.2 lbs)	180 g (0.4 lbs)	360 g (0.8 lbs)
Leader Cables	White, 2 m (6.5 ft) and 8 m (25 ft)		
Jumper Cables (required)	White, 24 mm (1 in), 0.3 m (12 in), 1.5 m (59 in)		
Y-Jumper Cable	White, 0.3 m (12 in) data and 8 m (25 ft) power or White, 1.5 m (59 in) data and 8 m (25 ft) power		
Control	DMX-512 control, 3 channels per fixture		
Input Power	24V DC		
Power Consumption	3.1 W	6.2 W	12.4 W
Temperature Range	-20°C to 40°C (-4°F to 104°F) operating temperature		
Protection Rating	IP20, Interior applications		
Certifications	UL / cUL, FCC Class A, CE, CB, CQC, SAA, C-Tick		

Data sheet

Photometrics (Per IESNA LM-79):

Vaya Cove Color, 1.2 m (47.5 in.)

### Polar Candela Distribution

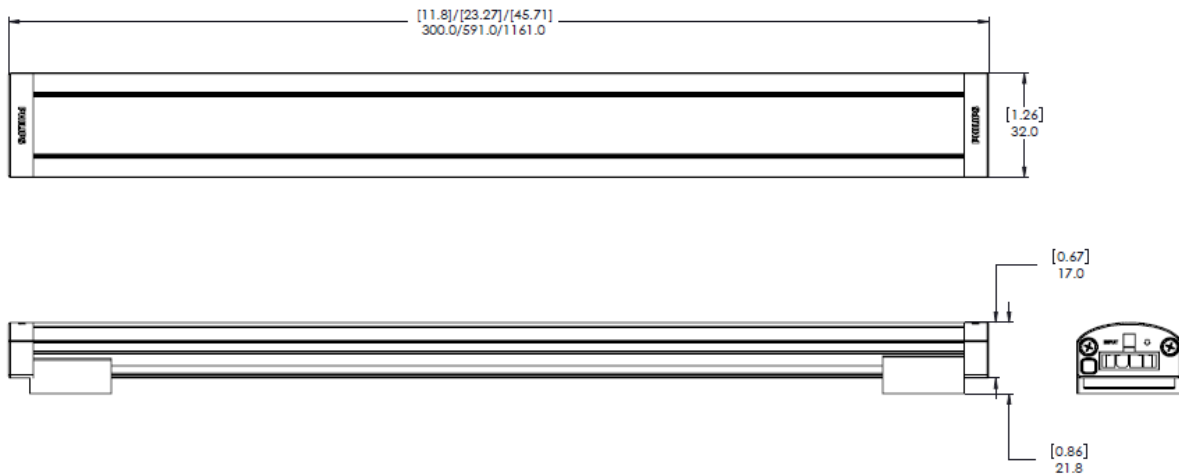


■ -0° H    ■ -90° H

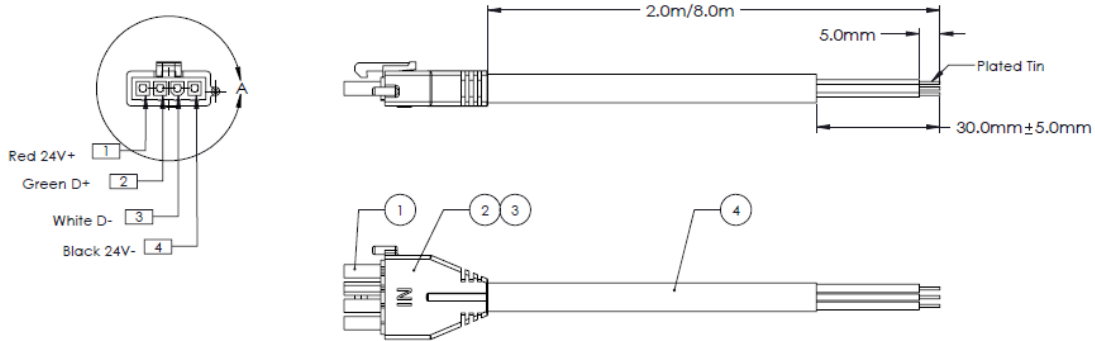
### Zonal Lumen Summary

Zone	Lumens	Luminaire
0-30	47	31.3%
0-40	77	51.3%
0-60	131	87.2%
60-90	19	12.7%
0-90	150	100%
90-180	0	0%
0-180	150	100%

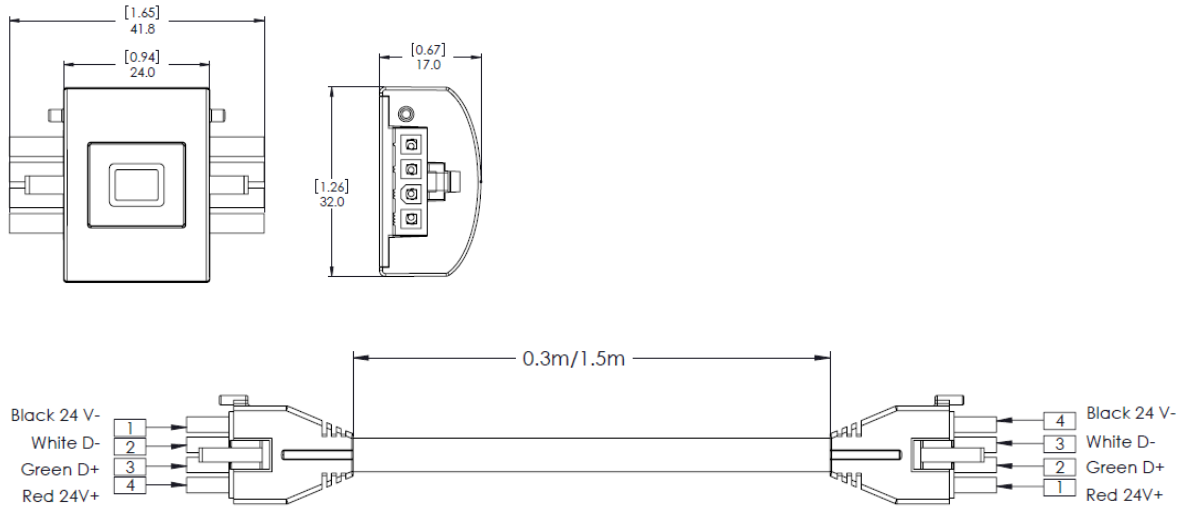
### Light Fixture Dimensions:



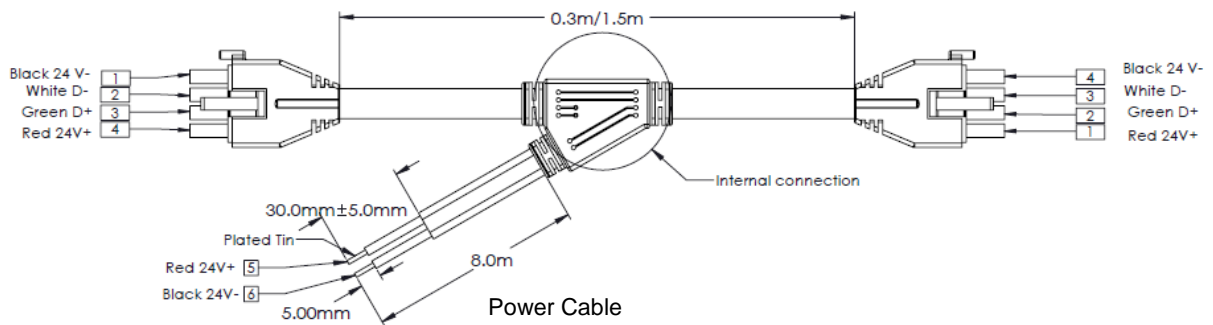
## Power Data Leader Cable Dimensions:



## Power Data Jumper Cable Dimensions:



## Power Data Y-Jumper Cable Dimensions: (Data passes through, allows new power branch)



## Maximum Connected Lengths<sup>1</sup>

Power Supply Wattage (24V DC)	Max. Number of 0.3 m Fixtures	Max. Number of 0.6 m Fixtures	Max. Number of 1.2 m Fixtures
100W	20	10	5

1. Maximum connected lengths assume little or no voltage drop in power leader and jumper cables. For installations with long leader and jumpers, wire should be sized to prevent voltage drop and fixture count should be reduced.

## Recommended Power Supplies:

### Philips Xitanium

Wattage	Input Voltage	Philips 12 NC	Item Number
100W	100-240V	9137 006 21091	
100W	120-277V	9137 102 99702	309-000001-00

## NEMA 3R Enclosure

Item Name	Description	Philips 12NC	CK Item Number
ACCESSORY, POWER SUPPLY ENCLOSURE (NEMA3R, 15x3)	Electrical Enclosure compliant to NEMA3R and UL-outdoor ratings, 15"x3"	913710841202	320-000001-00 (US and Canada only)

Ordering Codes:

Product	Length	Philips 12NC	Item Number	Certification
RGB	0.3 m (11.8 in)	910503702159	316-000004-00	UL/cUL, CE, CQC
RGB	0.59 m (23.0 in)	910503702160	316-000004-01	UL/cUL, CE, CQC
RGB	1.16 m (45.7 in)	910503702161	316-000004-02	UL/cUL, CE, CQC

Product	Length	Philips 12NC	Item Number	Certification
Leader Cable	2 m (6.5 ft)	910503702273	308-000001-03	UL/cUL, CE, CQC
Leader Cable	8 m (25 ft)	910503702272	308-000001-02	UL/cUL, CE, CQC
End-to-End Connector	24 mm (1 i)	910503702287	308-000001-11	UL/cUL, CE, CQC
Jumper Cable	0.3 m (12 in)	910503702276	308-000001-06	UL/cUL, CE, CQC
Jumper Cable	1.5 m (59 in)	910503702277	308-000001-07	UL/cUL, CE, CQC
Y-Jumper Cable	0.3 m (12 in) data 8 m (25 ft) power	910503702279	308-000001-09	UL/cUL, CE, CQC
Y-Jumper Cable	1.5 m (59 in) data 8 m (25 ft) power	910503702280	308-000001-10	UL/cUL, CE, CQC