



CATALOG NUMBER: 02822

DESCRIPTION: Cord connected portable GFCI, with duplex GFCI receptacle in thermoplastic protective housing. Power-on reset is automatic.

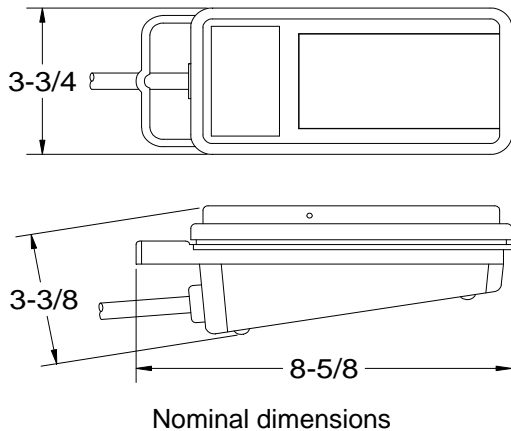
APPROVALS: UL 943, Class A Ground Fault Circuit Interrupter; complies with OSHA requirements, including open-neutral protection, for personnel protection in temporary wiring installations

CONSTRUCTION PARAMETERS:

Cord type:	12/3 SJTW
Cord length:	6 ft.
Cord color:	Yellow
Attachment plug configuration:	NEMA 5-15P
Attachment plug color:	Yellow
Receptacle configuration:	NEMA 5-15R x 2
Housing material:	ABS
Housing color:	Yellow
Receptacle protection:	Spring-loaded cover provides protection when not in use; sloping top repels rain

ELECTRICAL & ENVIRONMENTAL PROPERTIES:

Temperature rating:	-30 to +60 °C
Operating environment:	Outdoor, if protected from water entry
Nominal operating voltage:	120 VAC / 60 Hz
Maximum operating current:	15 A
Maximum operating wattage:	1800 W



The information presented here is, to the best of our knowledge, true and accurate. However, since conditions of use are beyond our control, all recommendations or suggestions are presented without guarantee or responsibility on our part.

We disclaim all liability in connection with the use of information contained herein or otherwise.

This specification is the proprietary intellectual property of Southwire Company, LLC. Any information contained herein shall not be disclosed to any party without the written consent of Southwire Company, LLC.