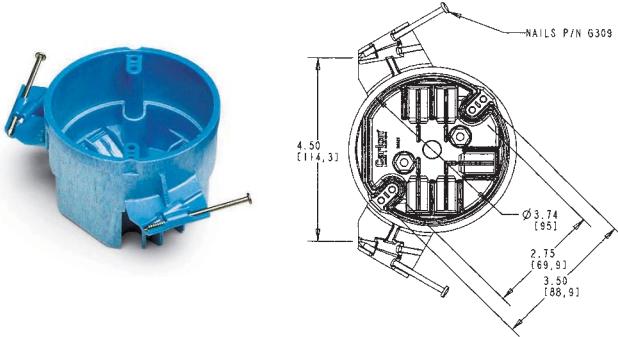


Carlton® SuperBlue™ Ceiling Boxes

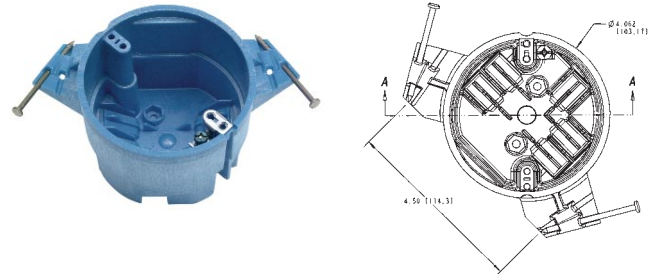
Ceiling Boxes



Ceiling Box



Ceiling Box with Grounding Lug



Part No.	Description	Capacity	Depth	Std. Ctn. Qty.	Std. Ctn. Wt.
◇ BH525A	Ceiling Box	25 cu. in.	3.00	48	16.3
◇ BH525S	Ceiling Box with Screws	25 cu. in.	3.00	48	16.3

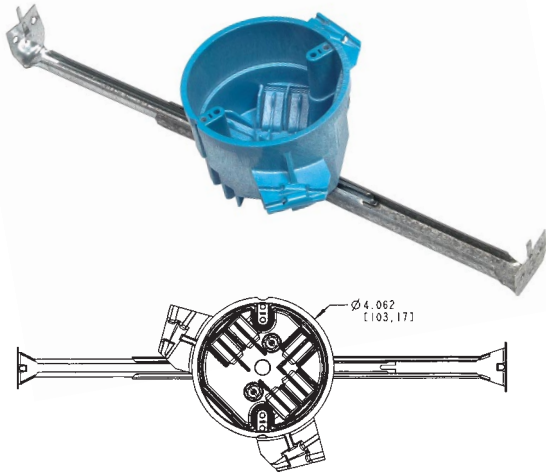
Part No.	Description	Capacity	Depth	Std. Ctn. Qty.	Std. Ctn. Wt.
◇ BH525P	Ceiling Box with Grounding Lug	25 cu. in.	3.00	24	9.4
◇ BH525SP	Ceiling Box w/Grounding Lug w/Screws	25 cu. in.	3.00	24	9.4

◇ Listed for fixture support up to 50 lbs.

◇ Listed for fixture support up to 50 lbs.

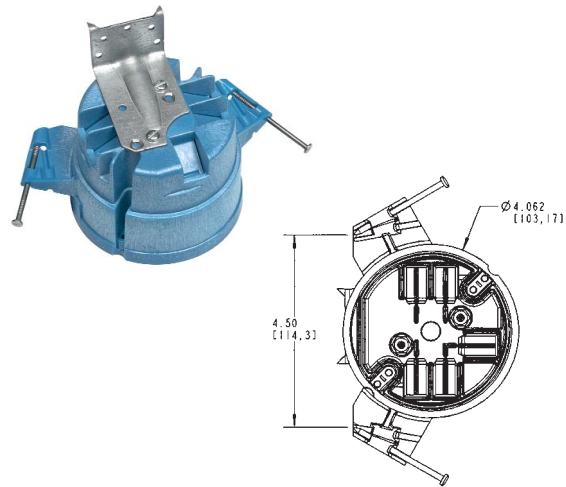
Ceiling Box with Hanger Bar

*Hanger Bar adjusts from 11 1/2" to 18 1/2"



Ceiling Fan Box

Listed for fan support up to 35 lbs.



Part No.	Description	Capacity	Depth	Std. Ctn. Qty.	Std. Ctn. Wt.
◇ BH525H	Ceiling Box with Hanger Bar	25 cu. in.	2.95	20	13.2
◇ BH525HP	Ceiling Box with Hanger Bar with Grounding Lug	25 cu. in.	2.95	20	13.2

◇ Listed for fixture support up to 50 lbs.

Part No.	Description	Capacity	Depth	Std. Ctn. Qty.	Std. Ctn. Wt.
▲ BH525L	Ceiling Fan Box with Nails	25 cu. in.	3.06	24	12.2
▲ BH525SL	Ceiling Fan Box with Screws	25 cu. in.	3.06	24	12.2
▲ BH525LP	Ceiling Fan Box with Grounding Lug with Nails	25 cu. in.	3.06	24	12.2

▲ Listed for fan support up to 35 lbs.

Carlton® SuperBlue™ Hard Shell Boxes



The Carlton® SuperBlue™ Hard Shell Boxes combine the features of the hard shell thermoset box and the thermoplastic PVC style box to create a "new" rigid nonmetallic wiring box. Molded out of specially formulated thermoplastic material, Carlton SuperBlue boxes are so strong they won't crack or break, even in extreme environments. So rigid, they resist flexing and hold their shape even under the worst conditions.

They provide the largest wirefill capacity in their class, and come with molded-in nailing flanges as well as molded-in clamps to make installation faster. Carlton SuperBlue boxes are lightweight, noncorrosive and nonconductive. They are designed to nest inside one another so they take up less shelf space and are easier to transport to job sites.

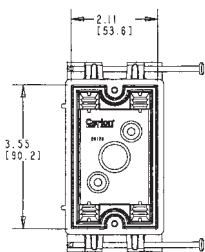
Features

- Largest wirefill capacity in their class
- Won't crack or break in extreme environments
- Resist flexing
- Hold their shape
- Molded-in flanges and clamps
- Faster installation
- Lightweight
- Noncorrosive and nonconductive
- Nest inside one another
- UL Listed
- UL Classified for two hour fire wall assemblies

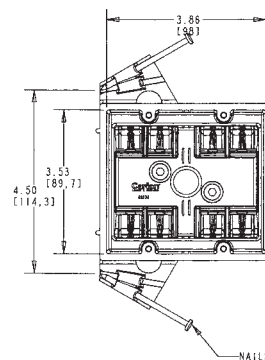
Wall Boxes



Single Gang



Two Gang



Part No.	Description	Capacity	Depth	Std. Ctn. Qty.	Std. Ctn. Wt.
BH122A	Single Gang	22 cu. in.	3.63	100	31.3
BH122S	Single Gang with Screws	22 cu. in.	3.63	100	31.3

Part No.	Description	Capacity	Depth	Std. Ctn. Qty.	Std. Ctn. Wt.
BH235A	Two Gang	35 cu. in.	3.50	48	21.3
BH235S	Two Gang with Screws	35 cu. in.	3.50	48	21.3