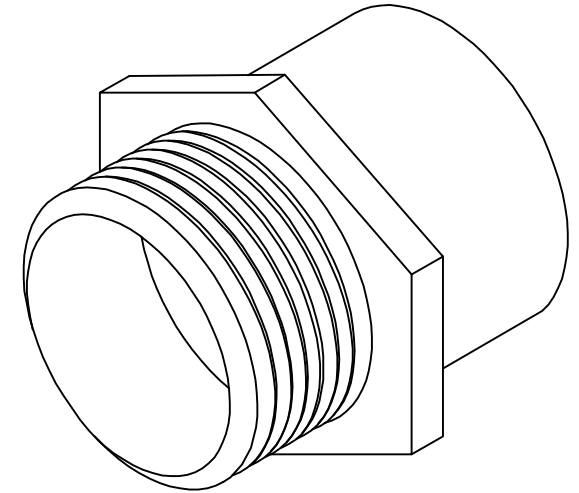
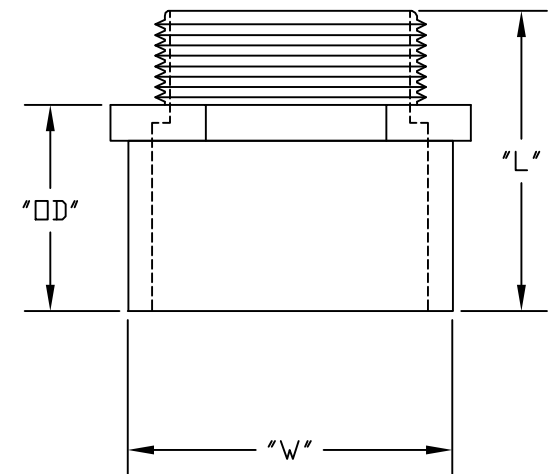


PART NUMBER	TRADE SIZE	"L"	"W"	"OD"
5140103	1/2	1 1/16"	1 1/16"	1 1/8"
5140104	3/4	1 3/4"	1 1/4"	1 3/16"
5140105	1	2 3/16"	1 5/8"	1 1/2"
5140106	1 1/4	2 1/8"	2"	1 5/16"
5140107	1 1/2	2 1/16"	2"	1 5/16"



UL Listed UL651  
 UL File # E81590  
 UL Category Code DWTT  
 UL Control Number 93G7  
 Meets NEMA TC3 Requirements  
 CSA Certified  
 See NEC Article 352 for use  
 Material is Rigid PVC



**CANTEX**

INC.  
Fort Worth, TEXAS

**Terminal Adapters 1/2" Thru 1-1/2"  
Schedule 40 & 80 Fittings**

Drawn By: CD Branch

Date:09/12/07

Ref.