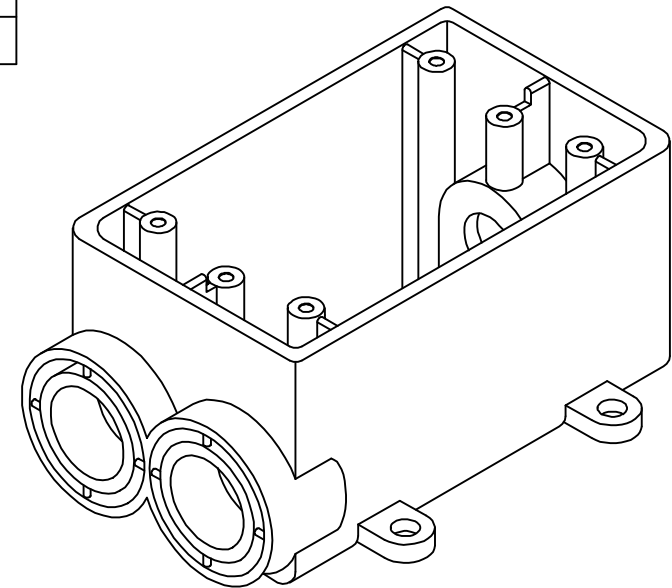
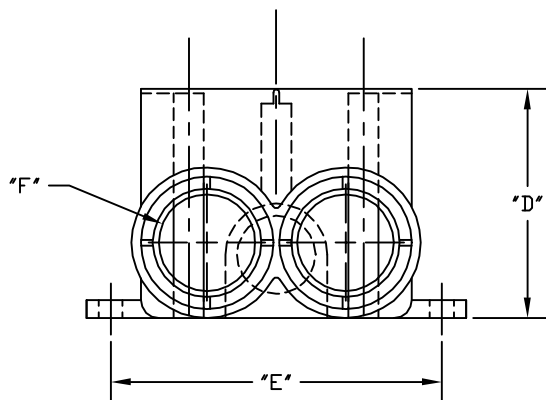
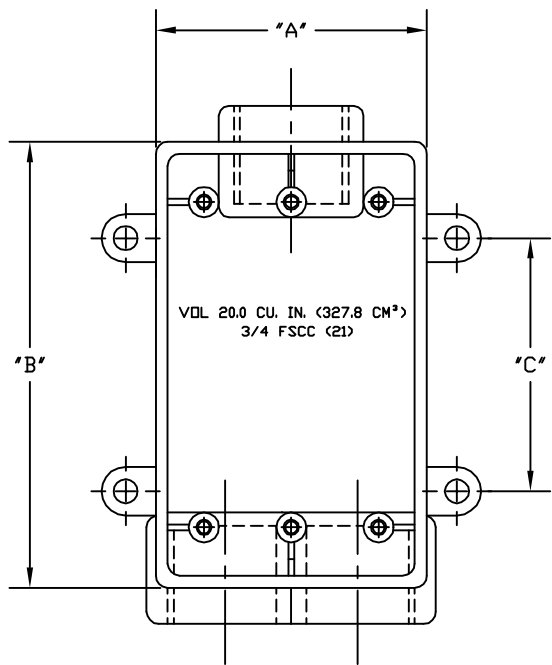


PART NUMBER	SIZE	"A"	"B"	"C"	"D"	"E"	"F"
5133544	1/2	2 13/16"	4 5/8"	2 5/8"	2 3/8"	3 7/16"	7/8"
5133545	3/4	2 13/16"	4 5/8"	2 5/8"	2 3/8"	3 7/16"	1 1/16"
5133546	1	2 13/16"	4 5/8"	2 5/8"	2 3/8"	3 7/16"	1 5/16"



UL Listed
 UL File # E98429
 UL Category Code QCMZ
 UL Control Number 39N9
 Material Is Rigid PVC
 Marine Listed w/Approved Cover
 CSA Certified
 See NEC Article 314 for use



CANTEX

INC.
Fort Worth, TEXAS

Type FSCC
Exposed Boxes

Drawn By: CD Branch

Date:10/19/07

Ref.