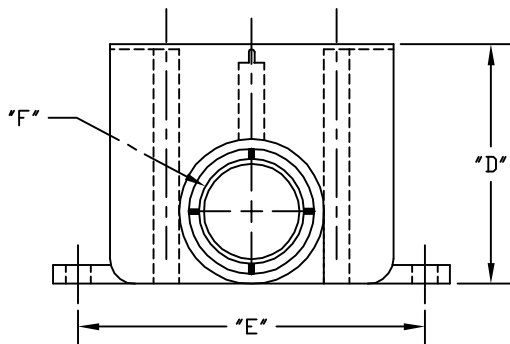
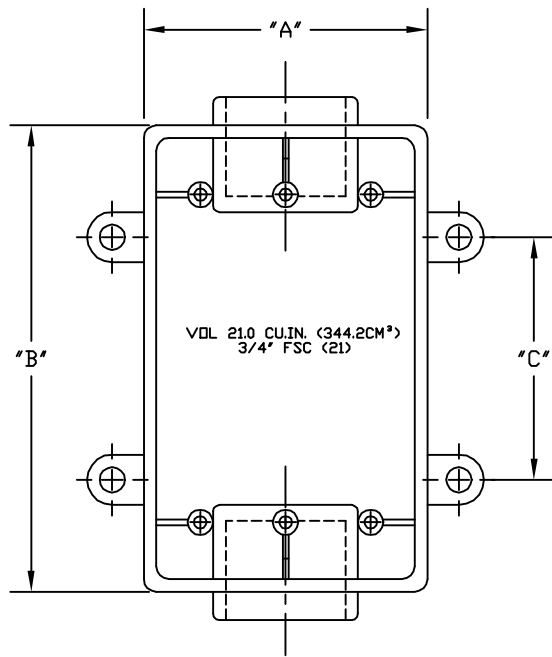
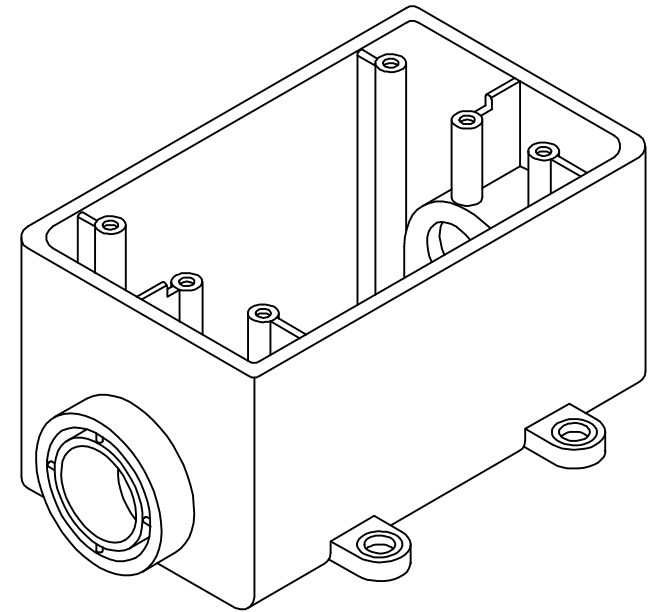


| PART NUMBER | SIZE | "A" | "B" | "C" | "D" | "E" | "F" |
|-------------|------|----------|---------|--------|--------|--------|---------|
| 5133463 | 1/2 | 2 13/16" | 4 9/16" | 2 5/8" | 2 3/8" | 3 1/2" | 7/8" |
| 5133464 | 3/4 | 2 13/16" | 4 9/16" | 2 5/8" | 2 3/8" | 3 1/2" | 1 1/16" |
| 5133465 | 1 | 2 13/16" | 4 9/16" | 2 5/8" | 2 3/8" | 3 1/2" | 1 5/16" |



UL Listed
 UL File # E98429
 UL Category Code QCMZ
 UL Control Number 39N9
 Material Is Rigid PVC
 Marine Listed w/Approved Cover
 CSA Certified



CANTEX

INC.
 Fort Worth, TEXAS

Type FSC
 Exposed Boxes

Drawn By: CD Branch

Date:10/19/07

Ref.