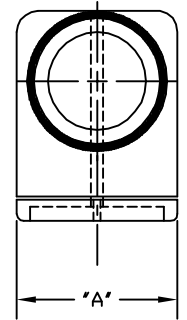
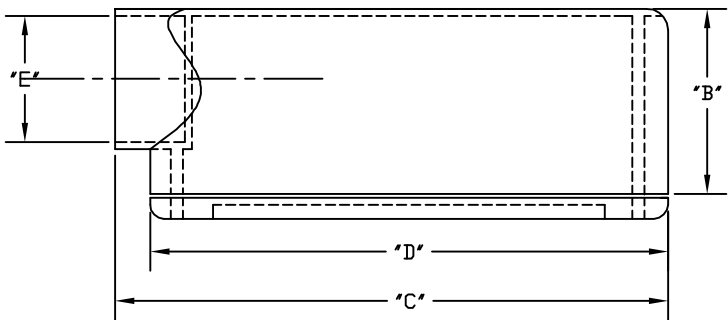
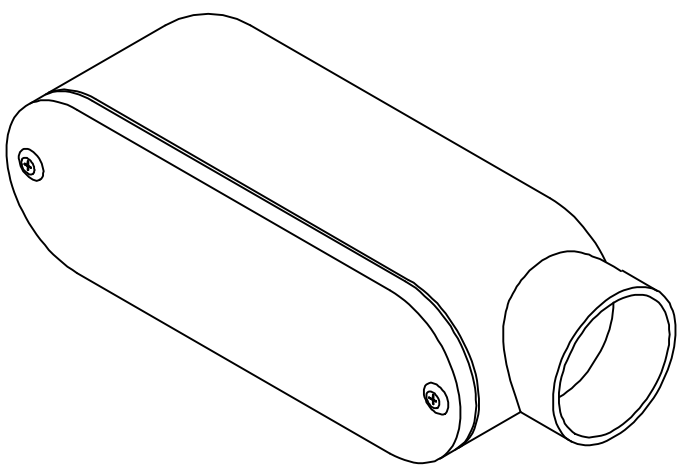


PART NUMBER	SIZE	"A"	"B"	"C"	"D"	"E"	Volume cu. in.	Maximum 3-wire Fill
5133151	1/2	1 5/16"	1 7/16"	4 1/4"	4"	7/8"	4.3	#6 or smaller
5133152	3/4	1 1/2"	1 5/8"	4 15/16"	4 5/8"	1 1/16"	6.5	#6 or smaller
5133153	1	1 3/4"	2"	6"	5 3/8"	1 5/16"	11.8	#6 or smaller
5133154	1-1/4	2 7/16"	2 7/16"	7 5/8"	7 3/16"	1 5/8"	25	XHHW #1
5133155	1-1/2	2 5/8"	2 13/16"	8 9/16"	8"	1 15/16"	36.5	XHHW #2/0
5133156	2	3 1/16"	3 7/16"	9 7/8"	9 1/2"	2 3/8"	63.5	XHHW #4/0
5133157	2-1/2	4 5/8"	4 5/8"	1' 2 15/16"	1' 3/4"	2 7/8"	198	XHHW 500 MCM
5133158	3	4 5/8"	4 5/8"	1' 3"	1' 13/16"	3 1/2"	198	XHHW 500 MCM
5133160	3-1/2	5 5/8"	5 1/2"	1' 4 3/16"	1' 13/16"	4"	305	XHHW 500 MCM
5133159	4	5 5/8"	5 1/2"	1' 3 15/16"	1' 13/16"	4 1/2"	305	XHHW 500 MCM



UL Listed  
 UL File # E98429  
 UL Category Code QCMZ 7  
 UL Control Number 39N9  
 Material is Rigid PVC  
 Gasket is Neoprene  
 Zinc plated steel screws  
 CSA Certified  
 See NEC Article 314 for use



<b>CANTEX</b> INC. Fort Worth, TEXAS		
<b>Type E</b> <b>Conduit Bodies and Junction Boxes</b>		
Drawn By: CD Branch	Date: 09/25/07	Ref.