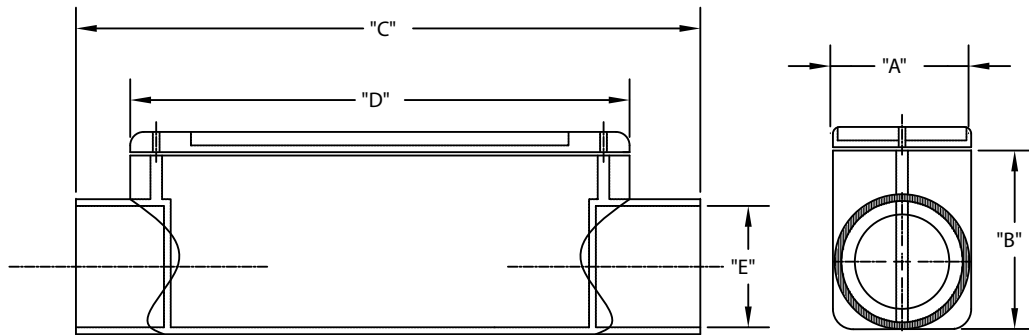
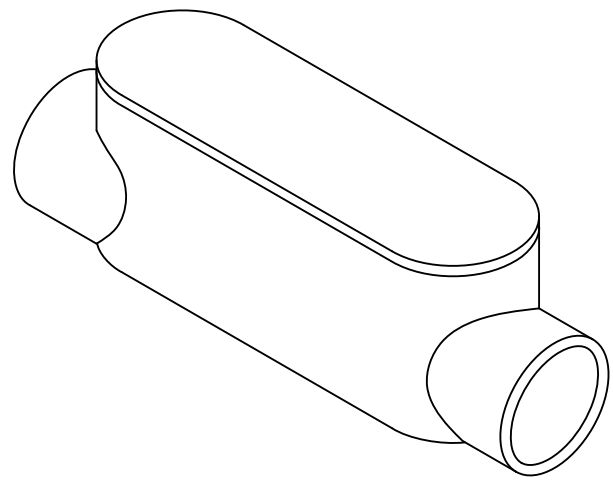



PART NUMBER	SIZE	"A"	"B"	"C"	"D"	"E"	Volume cu. in.	Maximum 3-wire Fill
5133101	1/2	1 5/16"	1 1/2"	4 5/8"	4"	7/8"	4.3	#6
5133102	3/4	1 1/2"	1 11/16"	5 3/8"	4 5/8"	1 1/16"	6.5	#6
5133103	1	1 3/4"	2"	6 9/16"	5 3/8"	1 5/16"	11.8	#6
5133104	1-1/4	2 1/2"	2 1/2"	8 3/16"	7 3/16"	1 11/16"	25	XHHW #1
5133105	1-1/2	2 5/8"	2 13/16"	9 1/4"	8"	1 15/16"	36.5	XHHW#2/0
5133106	2	3 1/8"	3 3/8"	10 3/8"	9 1/2"	2 3/8"	63.5	XHHW#4/0
5133108	2-1/2	N/A	N/A	N/A	N/A	N/A	198	XHHW 500MCM
5133107	3	4 5/8"	4 5/8"	1' 7"	1' 7/8"	3 1/2"	198	XHHW 500MCM
5133110	3-1/2	5 9/16"	5 9/16"	1' 8 3/8"	1' 1 3/4"	4"	305	XHHW 500MCM
5133109	4	5 9/16"	5 9/16"	1' 8 3/16"	1' 1 7/8"	4 1/2"	305	XHHW 500MCM



UL Listed
 UL File #E98429
 UL Category Code QCMZ 7
 UL Control Number 39N9
 Material is Rigid PVC
 Gasket is Neoprene
 Zinc plated steel screws
 CSA Certified



 CANTEX INC Fort Worth, Texas		
Type C Conduit Bodies and Junction Boxes		
Drawn By: CD Branch	Date: 10/15/07	Ref.