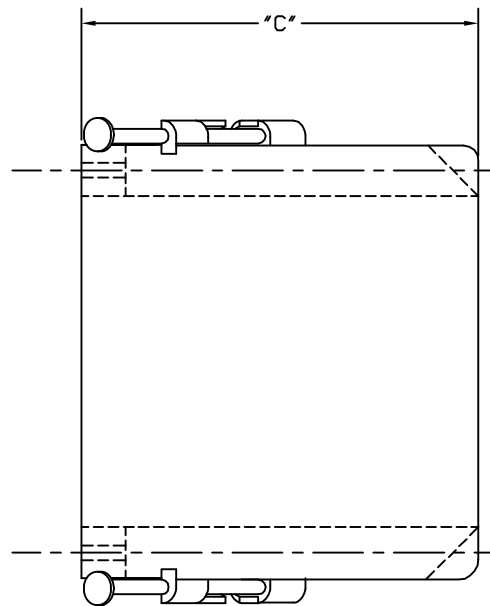
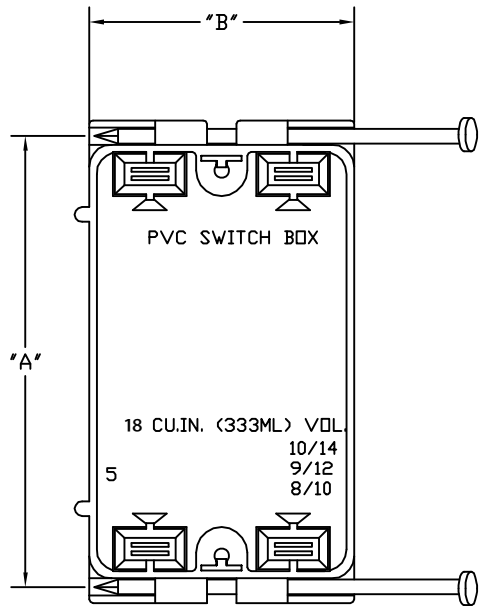
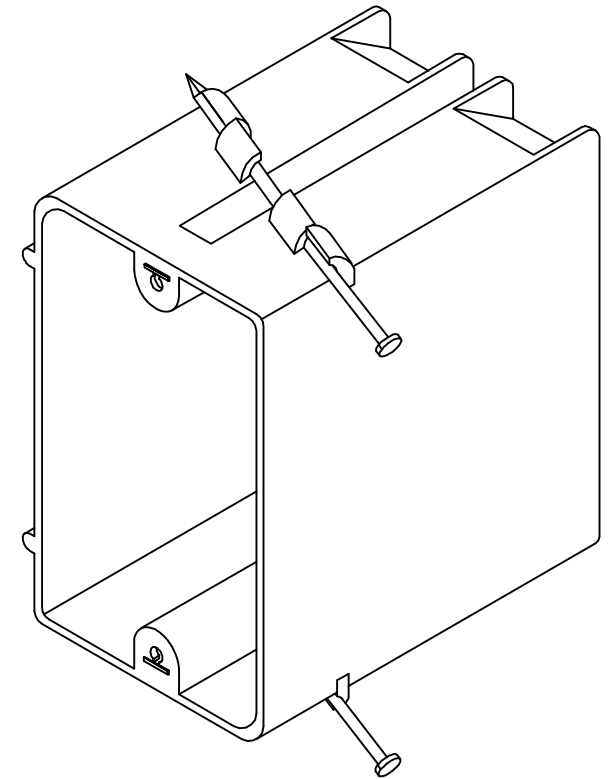


PART NUMBER	SIZE	"A"	"B"	"C"
EZ18SNU	2 1/4" x 3 5/8" x 2 13/16" Four knockouts - Enhanced angled nails for quick mounting between studs	3 7/8"	2 1/4"	2 7/8"
EZ20SNU	2 1/4" x 3 5/8" x 3 1/4" Four knockouts - Enhanced angled nails for quick mounting between studs	3 7/8"	2 1/4"	3 1/8"
EZ23SNU	2 1/4" x 3 5/8" x 3 1/2" Four knockouts - Enhanced angled nails for quick mounting between studs	3 7/8"	2 3/16"	3 1/2"



UL Listed
 UL File # R18795 & E98429
 UL Category Code CEYY, QBWY & QCMZ
 UL Control Number 39N9
 UL 2 Hour Wall & Ceiling Fire Rated
 Suitable for Masonry Walls
 Material is Rigid PVC
 See NEC Article 314 for use



CANTEX

INC.

Fort Worth, Texas

Single Gang EZ Box 18 Cubic Inch, Nail on w/Express Clip
 Single Gang Nonmetallic Boxes w/Express Clip

Drawn By: CD Branch

Date: 12/01/07

Ref.