

Stainless Steel 90° Elbows

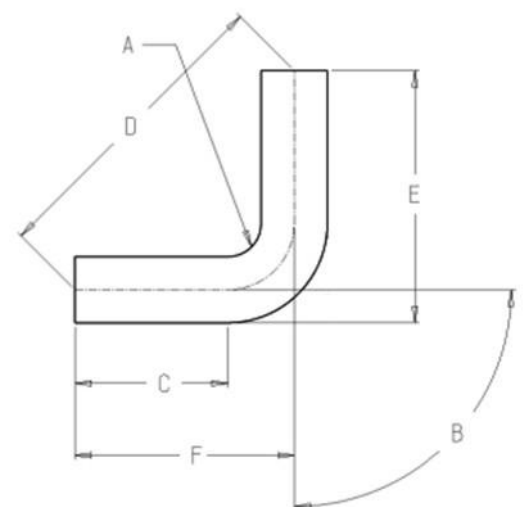
Features:

- Manufactured in both type 304 and 316 stainless to meet any stringent sanitary condition
- Polished to a bright, easily maintainable finish that is modern, attractive, easy to clean, and that also enhances the surface's resistance to pitting & bacterial corrosion
- Threaded both ends
- Threads are protected by color coded plastic caps



Certifications and Compliances:

UL / cUL 6A Listed
 UL file number – E230584
 Manufactured in accordance with CSA C22.1, Canadian Electrical Code, Part 1, NOM-001-SEDE, Standard for Electrical Installations, Inclusive for installation in accordance with Article 344 of ANSI/NFPA 70, "National Electrical Code" (NEC)
 Manufactured in the USA



Options:

Degree of bend can be specified to any value between 5° to 90°
 Large-radius elbows also available

Size	Type 304 Part Number	Type 316 Part Number	A Radius	B Degree of Bend	C Tangent	D Chord (Diagonal)	E Rise	F Offset
1/2" X 90°	S40590EL00	S60590EL00	4.0	90.00	3.1	10.1	7.5	7.1
3/4" X 90°	S40790EL00	S60790EL00	4.5	90.00	2.9	10.4	7.9	7.4
1" X 90°	S41090EL00	S61090EL00	5.8	90.00	3.5	13.0	9.9	9.2
1-1/4" X 90°	S41290EL00	S61290EL00	7.3	90.00	4.3	16.4	12.4	11.6
1-1/2" X 90°	S41590EL00	S61590EL00	8.3	90.00	5.0	18.7	14.2	13.3
2" X 90°	S42090EL00	S62090EL00	9.5	90.00	4.6	19.9	15.3	14.1
2-1/2" X 90°	S42590EL00	S62590EL00	10.5	90.00	6.5	24.0	18.4	17.0
3" X 90°	S43090EL00	S63090EL00	13.0	90.00	6.8	28.0	21.6	19.8
4" X 90°	S44090EL00	S64090EL00	16.0	90.00	8.4	34.6	26.7	24.4

*All dimensions are for informational purposes only *Tolerances +/- 5%*