

ENERGY PLUS

More comfort, less energy



- Now with even quieter operation
- Built-in digital thermostat and large backlit display
- Control your comfort with simple buttons and Night/Away settings
- Enjoy ultra-quiet operation of the variable speed fan
- Keep the air circulating year-round with the fan-only mode
- Install easily without damaging the heater—smart sensor auto adjusts the heater voltage to match your power supply
- Tamperproof settings let you lock in minimum and maximum temperature points
- Easily replace Com-Pak series heaters with the Energy Plus—it fits existing Com-Pak wall cans
- Rest easy—includes high-temperature safety shutoff feature

The smart choice for your comfort and your wallet, the Energy Plus uses up to 30% less energy than regular wall heaters. Say goodbye to temperature swings—intelligent controls and auto adjusting fan speed maintain room temperature within one degree. And control your comfort with a simple, built-in, backlit digital thermostat.

ARCHITECTURAL - ENGINEERING INFORMATION

Fan forced up flow electric air heaters are ETL listed, factory field rated for multi-watt (120V/208V/240V) installations, 1600 watts at 240 volt, 1500 watts at 208 volt and 1000 watts at 120 volt, and single-volt installations, 1600 watts at 240 volt, 1600 watts at 208 volt. The wall mounting can for this heater is a 20-gauge sheet steel with six electrical knockouts and 22 cubic inches for a wiring compartment, and finished with a powder coat paint system. The proportional fan and heat operation automatically adjusts fan speed and wattage output from 1600 watts to 200 watts (240v power) depending on heat loss within the space. A two stage centrifugal blower is driven by an impedance protected motor. The motor is totally isolated from the heating chamber. Unit is equipped with a fan only mode for air circulation. The air flow rate is 18 to 44 cfm. Element construction is a coiled nichrome heating wire sealed in a steel sheath with steel fins brazed to the sheath. Heating unit includes a 16-amp rating at 240V, high temperature manual reset limit switch. Unit is protected from over-voltage use. Each complete heater is of unitized construction, attaches to the wall can with a single screw, and is self-contained and completely separate from the wall mounting can. Metal grill is of one piece, 22-gauge steel construction, and finished with a powder coat paint system. On board digital controller minimizes energy use and optimizes comfort through independent regulation of heating element and fan motor. The automatic regulation prevents over-voltage, limits current in-rush, and provides motor soft-start. The controls include a one-button set back operation that is adjustable for night or away mode, and a maximum and minimum lock feature.

CADET 
INVITING WARMTH

cadetheat.com
855.CADET.US
Vancouver, Washington



Intertek

TECHNICAL INFORMATION

UL safety standards require the heater to be placed a minimum distance of ¾ inches (1.9 cm) from adjacent surfaces and 4-1/2 inches (11.4 cm) from the floor. For optimal performance and extended heater life, place at a distance of 24 inches (61 cm) from the floor. ADA requirements are met if the heater is installed between 12-1/2 inches (31.8 cm) and 42 inches (1.1 m) from the floor. A 3-foot (91.44 cm) minimum clearance is required for furniture or other objects placed directly in front of the heater. Install vertically. This heater is not approved for horizontal or ceiling installation. Electric wall heaters and thermostats work best when installed on an inside wall. We recommend installing the heater assembly after walls are finished. Heater must be cleaned every six months minimum.

ORDERING INFORMATION

The Energy Plus fits pre-existing vertically mounted wall cans for the Com-Pak Series heaters and for the following models: C, CB, CM, CS, FX, X. This model cannot be used to replace Com-Pak heaters installed in FW and RB model wall cans.

All heaters include a high performance built-in digital thermostat—a wall thermostat may not be used to control this heater. Temperature range: 40°F to 86°F.

Available in white only.

ENERGY PLUS

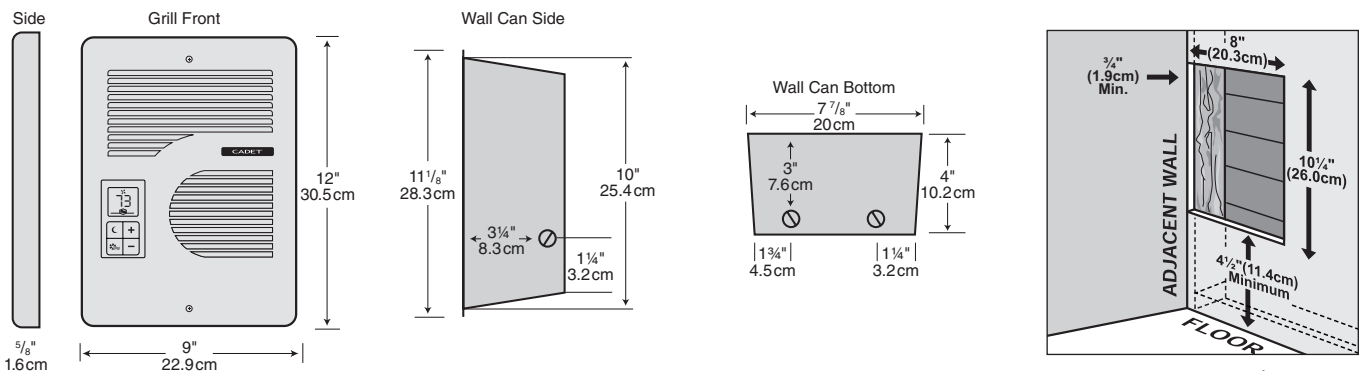
Grill: 9"W x 12"H x 5/8"D • Rough-in: 8"W x 10-1/4"H x 4"D

Heater assemblies require CC or CCSM wall can and grill kit

PART	MODEL	DESCRIPTION	WATTS	VOLTS	AMPS	BTUS	WT/LBS
65215	CEC163TW	Complete unit with controller, wall can and grill	1000/1600/1500	120/240/208	8.3/6.7/7.2	3415/5460/5120	8.1
65203	CE083T	Heater assembly multi-volt with controller	500/800/750	120/240/208	4.2/3.3/3.6	1710/2730/2560	4.4
65204	CE163T	"	1000/1600/1500	120/240/208	8.3/6.7/7.2	3415/5460/5120	4.4
65208	CE162T	Heater assembly single-volt with controller	1600	240	6.7	5460	4.4
65209	CE168T	"	1600	208	7.7	5460	4.4

WALL HEATER ACCESSORIES (MODEL CE)

PART	MODEL	DESCRIPTION	WT/LBS
67061 67060	CC CC10	Wall can for models CS, CM, CE, CB or HW, single or 10-pack	2.8 22.5
69110 69111	CCSMB CCSMW	Surface mount wall can for models CS, CM, CE or HW, single pack, 9-13/16"W x 12-3/4"H x 4-13/16"D, black or white	4.4
65252	CEGW	Grill kit for model CE, single pack, white	1.5
67105	CAMW	Adapter plate for models CS, CM, CE or CB, 18-1/2"W x 22"H, white	3.5
67115	SAMW	Adapter plate for model CS, CM, CE or CB, 12"W x 21-1/4"H, white	2



ROUGH-IN: 8"W x 10-1/4"H x 4"D