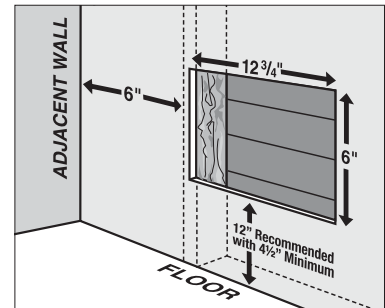
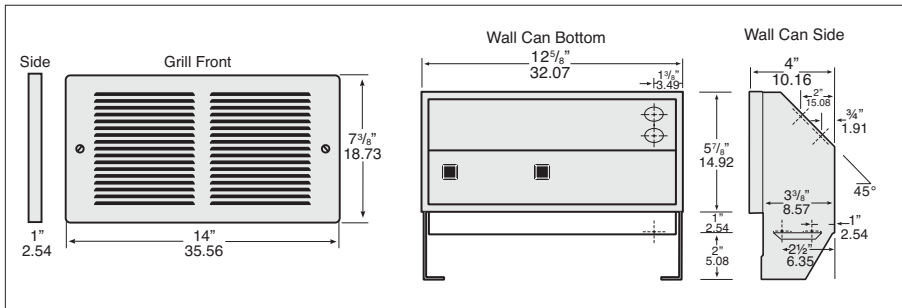
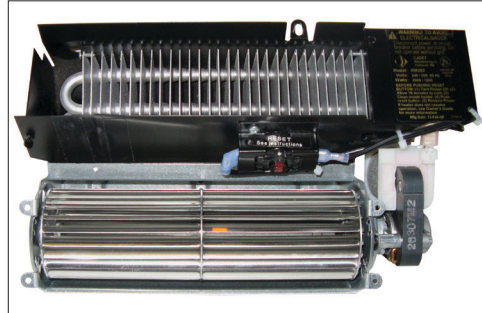
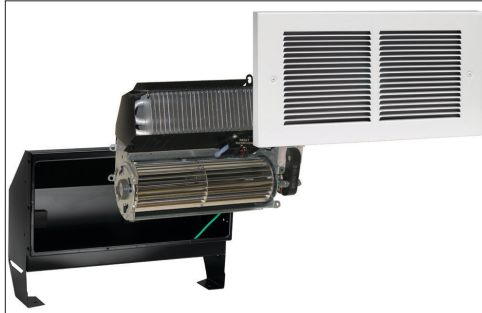


# REGISTER

## SPECIFICATION SHEET



**General Information:**

Safe, durable, and powerful—the Register heater provides quiet operation and outstanding warm air circulation at any heat setting. Durable features and design similar to most central system vents make it a perfect fit in many rooms.

**Architectural – Engineering Information:**

Fan forced up flow electric air heaters shall be UL listed, factory rated at 120V, 208V or dual field rated 208V/240V. A 20 gauge wall mounting can with four knockouts shall be provided with each complete heater. The element and blower shall be of unitized construction and shall attach to the wall can with a single screw. Element construction is a coiled nichrome heating wire sealed in a steel sheath with steel fins brazed to the sheath, finished with a high temperature paint to prevent rust and corrosion. A manual reset, 25 amp rated, at 240V, thermal overload limit switch is standard. A tangential cylindrical blower delivering approximately 40 to 55 CFM shall be driven by an impedance protected motor with permanently lubricated vibration isolated with dust sealed bearings. Metal grill shall be of one piece construction and finished with a powder coated paint system.