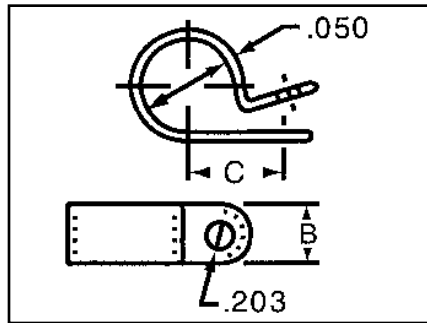


CABLE HANGERS

Cable Hangers provide a contact area range of 1/2" to 3/8" in width. All contact edges have a full radius for product protection, and sizes are clearly marked on each clamp.

Cable Hangers are injection molded. Available in white nylon 6/6 and black nylon 6/6.



G-14

Catalog Number	Mounting Screw	Maximum Bundle	Dimension B (Width)	Dimension C (Mount Hole Centers)	Pkg. Qty.
CH2C	#10 Screw	.125"	.375"	.329"	100
CH2M	#10 Screw	.125"	.375"	.329"	1000
CH3C	#10 Screw	.187"	.375"	.430"	100
CH3M	#10 Screw	.187"	.375"	.430"	1000
CH4C	#10 Screw	.25"	.375"	.410"	100
CH4M	#10 Screw	.25"	.375"	.410"	1000
CH5C	#10 Screw	.312"	.375"	.495"	100
CH5M	#10 Screw	.312"	.375"	.495"	1000
CH6C	#10 Screw	.375"	.375"	.595"	100
CH6M	#10 Screw	.375"	.375"	.595"	1000
CH7C	#10 Screw	.437"	.375"	.574"	100
CH7M	#10 Screw	.437"	.375"	.574"	1000
CH8C	#10 Screw	.5"	.375"	.605"	100
CH8M	#10 Screw	.5"	.375"	.605"	1000
CH9C	#10 Screw	.563"	.375"	.606"	100
CH9M	#10 Screw	.563"	.375"	.606"	1000
CH10C	#10 Screw	.625"	.375"	.606"	100
CH10M	#10 Screw	.625"	.375"	.606"	1000
CH11C	#10 Screw	.625"	.5"	.655"	100
CH11M	#10 Screw	.625"	.5"	.655"	1000
CH12C	#10 Screw	.750"	.5"	.78"	100
CH12M	#10 Screw	.750"	.5"	.78"	1000
CH14C	#10 Screw	.875"	.5"	.845"	100
CH14M	#10 Screw	.875"	.5"	.845"	1000
CH16C	#10 Screw	1"	.5"	.91"	100
CH16M	#10 Screw	1"	.5"	.91"	1000
CH18C	#10 Screw	1.12"	.5"	.97"	100
CH18M	#10 Screw	1.12"	.5"	.97"	1000
CH24L	#10 Screw	1.5"	.5"	1.19"	50
CH24C	#10 Screw	1.5"	.5"	1.19"	100

All hangers listed above are natural. UV Black cable hangers are available in nearly every size. Insert "0" after the part number.

Blue highlighted items are industry standard and most frequently ordered.