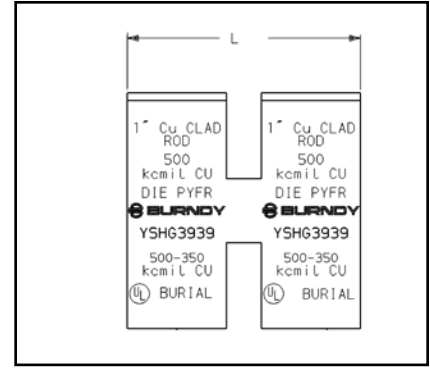


TYPE YSHG

**HIGH STRENGTH COPPER
IRREVERSIBLE COMPRESSION**

Double H-Tap Connector

Type YSHG Double H-Tap grounding series is comprised of five connectors designed to accommodate wire range sizes #14 through 500 kcmil, including ground rod sizes: 3/4", 1", and rebar sizes: #6, #7, #8 and #9. Prefilled with PENETROX™ E2 and strip sealed.



Features & Benefits

- UL467 Listed
 - ◇ Suitable for direct burial in earth or concrete.
- Material is high conductivity copper extrusion
 - ◇ Minimizes resistance, eliminates corrosion due to dissimilar metals.
- Grooves are prefilled with PENETROX™ E2 oxide inhibitor and individually sealed
 - ◇ Inhibits moisture and contaminants ensuring electrical integrity.

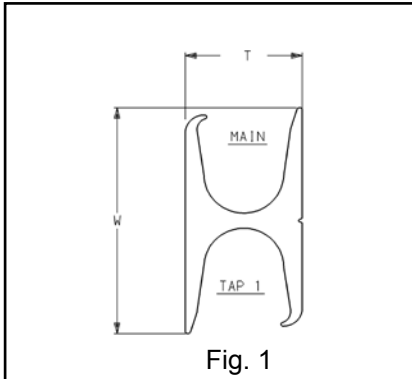


Fig. 1

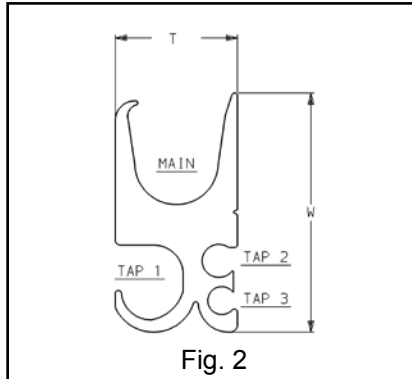


Fig. 2

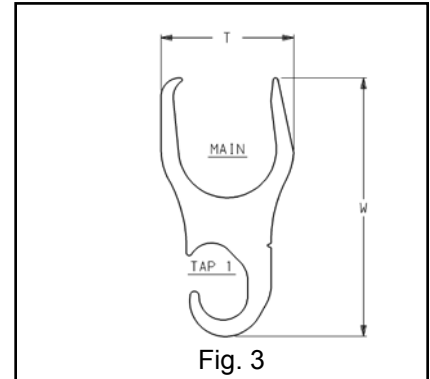


Fig. 3

Catalog Number	Fig. #	Conductor Sizes				Tooling (# of crimps)		Index Embossment	W ±.06	T ±.04	L ±.06
		Main	Tap 1	Tap 2	Tap 3	PAT750/Y750	Y46				
YSHG4429	3	#9 & #8 Rebar, 1" [25] Ground Rod	250 - 2	—	—	—	PYFR (2)	KR	3.22	1.70	2.44
YSHG3931 ①	2	#6 & #7 Rebar, 1" [25] Cu Clad Ground Rod, 3/4" Ground Rod 500 - 350 kcmil Copper	4/0 - 1/0	1 - 6	2 - 14	—	PYFR (2)	KR	2.97	1.50	2.34
YSHG3434	1	#6 Rebar, 3/4" [19] Ground Rod 400 - 250 kcmil Copper	400 - 4/0	—	—	U1104 (4)	P1104 (2) ② U1104 (4)	1104	2.43	1.15	2.44
YSHG3429	2	#6 Rebar, 3/4" [19] Ground Rod 400 - 4/0 kcmil Copper	3/0 - 1/0	1 - 4	8 - 14	U1104 (4)	P1104 (2) ② U1104 (4)	1104	2.23	1.31	2.44

① Not for use on 1" steel ground rod

② Use PUADP-1 adapter

Blue highlighted items are industry standard and most frequently ordered.

ALPHA-NUMERIC INDEX BY CATALOG NUMBER (Continued)

Catalog Number	Page #	Catalog Number	Page #	Catalog Number	Page #	Catalog Number	Page #
YS39	C-111	YSD26R2W	H-47	YSR25FX8CFXLTKITC	C-122, C-127	YSR44FX28FXLTKITC	C-119, C-123
YS39A1	C-151	YSD27R25R	H-47	YSR26FX25FXLTKITC	C-121, C-127	YSR44FX28LTKITC	C-119, C-123
YS39AM1	C-151	YSD27R26R	H-47	YSR26FX2CFXLTKITC	C-121, C-127	YSR44FX29FXLTKITC	C-119, C-123
YS39AT	C-152	YSD27R27R	H-47	YSR26FX4CFXLTKITC	C-121, C-127	YSR44FX29LTKITC	C-119, C-123
YS39-L	C-110	YSD27R2R	H-47	YSR26FX6CFXLTKITC	C-121, C-127	YSR44FX30LTKITC	C-119, C-123
YS39LTCKITC	C-118	YSD27R2W	H-47	YSR2825FXLTKITC	C-121, C-127	YSR44FX31LTKITC	C-119, C-123
YS39-T	C-116	YSD28R25R	H-47	YSR282CFXLTKITC	C-121, C-127	YSR44FX34FXLTKITC	C-119, C-123
YS3C	C-111	YSD28R26R	H-47	YSR284CFXLTKITC	C-121, C-127	YSR44FX34LTKITC	C-119, C-123
YS3C-L	C-110	YSD28R27R	H-47	YSR286CFXLTKITC	C-121, C-127	YSR44FX38FXLTKITC	C-119, C-123
YS3C-LB	C-113, C-114	YSD28R28R	H-47	YSR28FX25FXLTKITC	C-121, C-126	YSR44FX39LTKITC	C-119, C-123
YS40-FXB	C-117	YSD28R2R	H-47	YSR28FX26FXLTKITC	C-121, C-126	YSR4CFX10LTKITC	C-122, C-128
YS42A1	C-151	YSD28R2W	H-47	YSR28FX28LTKITC	C-121, C-126	YSR4CFX6CFXLTKITC	C-122, C-128
YS44	C-111	YSE10	B-50	YSR28FX2CFXLTKITC	C-121, C-126	YSR4CFX8CFXLTKITC	C-122, C-128
YS44A1	C-151	YSE10-BOX	B-50	YSR28FX4CFXLTKITC	C-121, C-127	YSR6CFX10LTKITC	C-122, C-128
YS44AT	C-152	YSE10HHS	B-51	YSR29FX25FXLTKITC	C-121, C-126	YSR6CFX14LTKITC	C-122, C-128
YS44-FXB	C-117	YSE10HN	B-48	YSR29FX28LTKITC	C-121, C-126	YSR6CFX8CFXLTKITC	C-122, C-128
YS44FXLTKITC	C-118	YSE14H	B-50	YSR29FX2CFXLTKITC	C-121, C-126	YSR8CFX10LTKITC	C-122, C-128
YS44-L	C-110	YSE14H-BOX	B-50	YSR2CFX4CFXLTKITC	C-122, C-128	YSR8CFX14LTKITC	C-122, C-128
YS45A1	C-151	YSE14HHS	B-51	YSR2CFX6CFXLTKITC	C-122, C-128	YSS2R	H-48
YS46	C-111	YSE14HN	B-48	YSR2CFX8CFXLTKITC	C-122, C-128	YSS4R	H-48
YS46A1	C-151	YSE18H	B-50	YSR3125FXLTKITC	C-121, C-126	YSS6R	H-48
YS47A1	C-151	YSE18H-BOX	B-50	YSR3126FXLTKITC	C-121, C-126	YSS6RG2	H-48
YS48	C-111	YSE18HHS	B-51	YSR3128FXLTKITC	C-120, C-125	YST2525	C-137
YS483A1	C-151	YSE18HN	B-48	YSR3128LTKITC	C-121, C-125	YST2626	C-137
YS48A1	C-151	YSES10K	B-52	YSR3129FXLTKITC	C-120, C-125	YST2825	C-137
YS4C	C-111	YSES14K	B-52	YSR312CFXLTKITC	C-121, C-126	YST2828	C-137
YS4CA1	C-150	YSES18K	B-52	YSR314CFXLTKITC	C-121, C-126	YST282C	C-137
YS4CFXLTKITC	C-118	YSF28CP	K-41	YSR316CFXLTKITC	C-121, C-126	YST2929	C-137
YS4C-LB	C-113, C-114	YSH2929	C-136	YSR32FX28FXLTKITC	C-120, C-125	YST2C2C	C-137
YS4C-LBOX	C-110	YSH3429	C-136	YSR32FX29FXLTKITC	C-120, C-125	YST3131	C-137
YS4C-T	C-116	YSH3434	C-136	YSR3425FXLTKITC	C-120, C-124	YST3428	C-137
YS5C	C-111	YSH3931	C-136	YSR3426FXLTKITC	C-120, C-124	YST3434	C-137
YS5C-LB	C-113, C-114	YSH3939	C-136	YSR3428FXLTKITC	C-120, C-124	YST3939	C-137
YS5C-LBOX	C-110	YSHG3429	E-13	YSR3428LTKITC	C-120, C-124	YST4C4C	C-137
YS6C	C-111	YSHG3434	E-13	YSR3429FXLTKITC	C-120, C-124	YSU25A25A	H-46
YS6CA1	C-150	YSHG3931	E-13	YSR3431LTKITC	C-120, C-124	YSU25R25R	H-46
YS6CFXLTKITC	C-118	YSHG4429	E-13	YSR3434FXLTKITC	C-120, C-124	YSU25R2R	H-46
YS6C-LBOX	C-110	YSM10	B-56	YSR34FX25FXLTKITC	C-120, C-125	YSU25R2W	H-46
YS6C-T	C-116	YSM14	B-56	YSR34FX26FXLTKITC	C-120, C-125	YSU25R4W	H-46
YS8C	C-111	YSM18	B-56	YSR34FX28FXLTKITC	C-120, C-125	YSU25R6W	H-46
YS8CA1	C-150	YSM1C	B-56	YSR34FX28LTKITC	C-120, C-125	YSU2R2R	H-46
YS8C-FXB	C-117	YSM25	B-56	YSR34FX29FXLTKITC	C-120, C-124	YSU2R2W	H-46
YS8CFXLTKITC	C-118	YSM26	B-56	YSR34FX2CFXLTKITC	C-120, C-125	YSU2R4W	H-46
YS8C-L-BOX	C-110	YSM27	B-56	YSR34FX31LTKITC	C-120, C-124	YSU2R6W	H-46
YSA25R-2N	H-35	YSM28	B-56	YSR34FX4CFXLTKITC	C-120, C-125	YSU2R8W	H-46
YSA26R-2N	H-35	YSM2C	B-56	YSR34FX6CFXLTKITC	C-120, C-125	YSU2W2W	H-46
YSA28R-2N	H-35	YSM4C	B-56	YSR38FX26FXLTKITC	C-120, C-124	YSU2W4W	H-46
YSA2R-2N	H-35	YSM6C	B-56	YSR38FX28FXLTKITC	C-120, C-124	YSU2W6W	H-46
YSA30R-2N	H-35	YSM8C	B-56	YSR38FX28LTKITC	C-120, C-124	YSU2W8W	H-46
YSA321R-2N	H-35	YSP1C-T	C-116	YSR38FX29FXLTKITC	C-120, C-124	YSU4W4W	H-46
YSA37R-2N	H-35	YSP25-T	C-116	YSR38FX29LTKITC	C-120, C-124	YSU4W6W	H-46
YSCM104	B-57, C-109	YSP26-T	C-116	YSR38FX30LTKITC	C-120, C-124	YSU4W8W	H-46
YSCM133	B-57, C-109	YSP28-T	C-116	YSR38FX31LTKITC	C-120, C-124	YSU6W6W	H-46
YSCM167	B-57, C-109	YSP29-T	C-116	YSR38FX34FXLTKITC	C-119, C-124	YSV10	B-53
YSCM17	B-57, C-109	YSP2C-T	C-116	YSR38FX34LTKITC	C-119, C-124	YSV1014-G2	B-58
YSCM212	B-57, C-109	YSP30-T	C-116	YSR3928FXLTKITC	C-119, C-123	YSV10BBOX	B-46
YSCM231	B-57, C-109	YSP31-T	C-116	YSR3928LTKITC	C-119, C-123	YSV10BOX	B-53
YSCM27	B-57, C-109	YSP34-T	C-116	YSR3929FXLTKITC	C-119, C-123	YSV10H	B-55
YSCM42	B-57, C-109	YSP39-T	C-116	YSR3929LTKITC	C-119, C-123	YSV10-HBOX	B-55
YSCM66	B-57, C-109	YSP4C-T	C-116	YSR3930LTKITC	C-119, C-123	YSV1214-G1	B-58
YSCM80	B-57, C-109	YSR10CFX12CLTKITC	C-122, C-128	YSR3931LTKITC	C-119, C-123	YSV14	B-53
YSD25R25R	H-47	YSR10CFX14CLTKITC	C-122, C-128	YSR3934FXLTKITC	C-119, C-123	YSV1418	B-58
YSD26R25R	H-47	YSR25FX2CFXLTKITC	C-122, C-127	YSR3934LTKITC	C-119, C-123	YSV14BBOX	B-46
YSD26R26R	H-47	YSR25FX4CFXLTKITC	C-122, C-127	YSR3938FXLTKITC	C-119, C-123	YSV14BOX	B-53
YSD26R2R	H-47	YSR25FX6CFXLTKITC	C-122, C-127	YSR3939LTKITC	C-119, C-123	YSV14H	B-55