

## DESCRIPTION

### GRILLE:

- Contemporary styled grille complements modern decor
- White polymeric grilles can be painted to match any decor

### MOTOR:

- Motor assembly offers fast, easy "twist-lock" installation
- Permanently lubricated, thermally protected, plug-in motor
- Specially designed fan blade stays in balance - will not distort

### HOUSING:

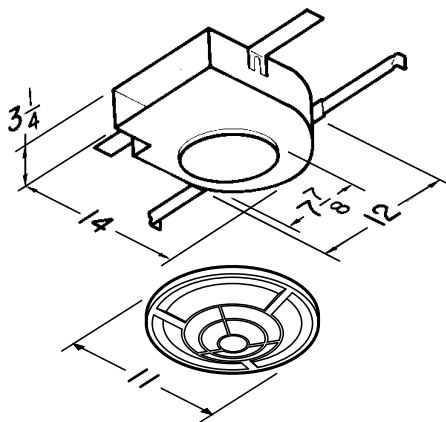
- Installs easily in walls or ceiling
- Steel housing 25 gage finished with rugged electrically-bonded epoxy paint
- Built-in backdraft damper
- Fits 3¼" x 10" duct
- Adjustable mounting brackets span from 14" to 24"

## SPECIFICATIONS

VOLTS	AMPS	RPM	SONES	CFM	DUCT
120	1.5	1725	5.0	160	3¼" x 10"

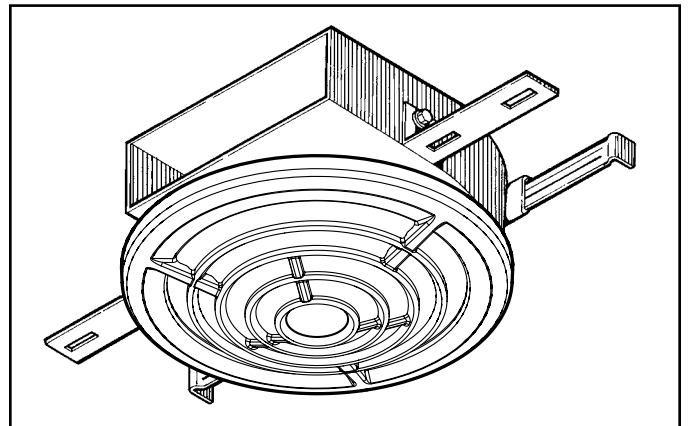


HVI-2100 CERTIFIED RATINGS comply with new testing technologies and procedures prescribed by the Home Ventilating Institute, for off-the-shelf products, as they are available to consumers. Product performance is rated at 0.1 in. static pressure, based on tests conducted in a state-of-the-art test laboratory. Sones are a measure of humanly-perceived loudness, based on laboratory measurements.



# Side Discharge Fan

## MODEL 8310



## ARCHITECT'S SPECIFICATION

Ventilator shall be NuTone Model 8310.

Ventilator shall have compact steel housing finished with electrically-bonded epoxy paint. Grille to be white polymeric.

Motor assembly shall be removable and permanently lubricated. RPM shall not exceed 1725.

Air delivery shall be no less than 160 CFM and sound levels no greater than 5.0 Sones. All air and sound ratings shall be certified by HVI. Units shall be U.L. listed.

## INSTALLATION

Complete installation instructions are included with each Fan.

Broan-NuTone LLC Hartford, Wisconsin www.nutone.com 888-336-3948

REFERENCE	QTY.	REMARKS	Project
			Location
			Architect
			Engineer
			Contractor
			Submitted by <span style="float: right;">Date</span>