

# NuTone Ventilation Fans—Heavy Duty/Radiation Dampers

## Duct-free

This easy-to-install solution is ideal where ventilation is needed but ducting is not possible. Use in half baths or rooms where humidity isn't a concern.

### Model 682NT



- Patented, fast snap-in metal housing installation
- Fan circulates air past replaceable activated charcoal filter model 97009563
- Fits 2"x4" ceiling or wall construction

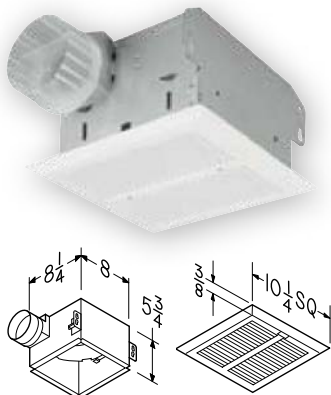
## For heavy-duty ventilation,

NuTone has powerful solutions for high-traffic bathrooms, including light commercial installations and offices where operation continues throughout the day. These hard-working, quiet fans feature sealed, long-life bearings that never require lubrication. Durable, enameled metal grilles are easy to clean and resist breakage.

## HD80NT and HD50NT Features

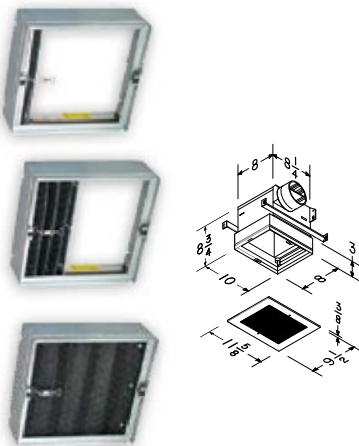
- Durable, quiet, centrifugal blower wheel
- Totally enclosed motor design for continuous operation
- Lasts up to three times longer than residential units
- UL Listed for use over tub or shower when installed in a GFCI protected branch circuit

### Model HD80NT & HD50NT



## Radiation/Fire Damper Fan Project Packs

A fire resistant screen automatically closes when excessive heat is detected. The breakaway fusible link triggers the closing of the radiation damper's fire resistant screen to prevent smoke and fire from traveling through the ductwork.



- UL Classified (UL Standard 555C) for use in 1-, 2-, 3-hour fire-rated floor-ceiling or roof-ceiling designs
- 165° fusible link
- Galvanized Steel Frame
- Stainless steel negator-type closure spring
- Available as Project Packs

## Project Finish Packs include:

- Assembled motor plate, wheel and plug-in motor
- Rugged metal grille for added durability

### Models 80RDB, 110RDB, HD50RDB and HD80RDB




## Project Housing Pack includes:

- Rough-in housing with attached radiation/fire damper
- Adjustable hanger bars that span up to 24"
- 4" metal duct connector with damper

### Model RDA




Model	CFM	Sones	Notes
RDA	—	—	Housing four-pack
80RDB	80	2.5	Finishing four-pack
110RDB	110	4.0	Finishing four-pack
HD50RDB*	50	1.5	Finishing four-pack
HD80RDB	80	2.5	Finishing four-pack

 \*ENERGY STAR® qualified



Model	CFM	Sones	Notes
HD50NT*	50	1.5	Heavy-duty motor
HD80NT	80	2.5	Heavy-duty motor

 \*ENERGY STAR® qualified