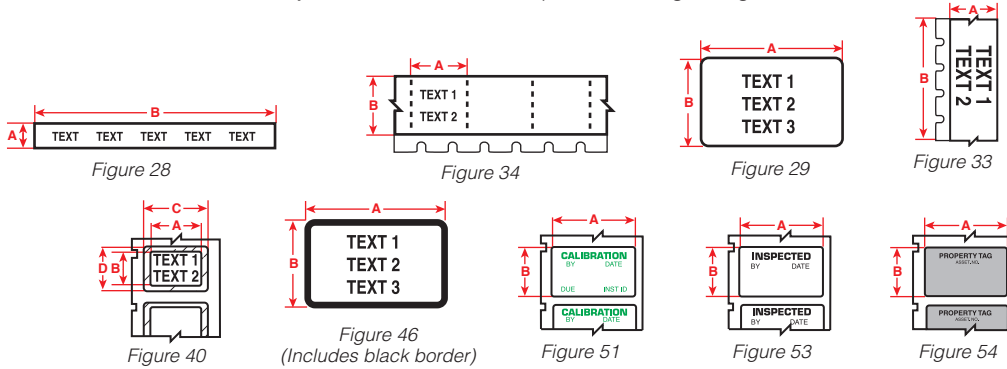


## Polyester Labels for General Industrial ID (B-422, B-423, B-430, B-432, B-483, B-489, B-498)

White or clear label stock with choice of finish and adhesives for smooth or rough surfaces. Use for a wide variety of asset identification, panel labeling and general ID.



Fits Printer Models	Diagram	Catalog #	B-#	Material	Color	Label Width A Inch (mm)	Label Height B Inch (mm)	Labels Per Row	Labels Per Roll	Rec. Ribbon
<b>Standard adhesive (B-423 gloss white):</b>										
TLS, BMP71*	Fig. 29	PTL-1-423	B-423	Polyester	White	0.250 (6.4)	0.250 (6.4)	1	750	R6010
TLS, BMP71*	Fig. 29	PTL-3-423	B-423	Polyester	White	0.375 (9.5)	0.375 (9.5)	1	500	R6010
TLS, BMP71*	Fig. 29	PTL-4-423	B-423	Polyester	White	0.400 (10.6)	0.400 (10.2)	1	500	R6010
TLS, BMP71*	Fig. 29	PTL-5-423	B-423	Polyester	White	0.500 (12.7)	0.200 (5.1)	1	750	R6010
TLS, BMP71*	Fig. 53	PTL-6-423	B-423	Polyester	White	0.500 (12.7)	0.275 (7.0)	1	750	R6010
TLS, BMP71*	Fig. 29	BM71-7-423	B-423	Polyester	White	0.500 (12.7)	0.500 (12.7)	1	5000	R6010
TLS, BMP71*	Fig. 29	PTL-7-423	B-423	Polyester	White	0.500 (12.7)	0.500 (12.7)	1	500	R6010
TLS, BMP71*	Fig. 33	PTL-8-423	B-423	Polyester	White	0.500 (12.7)	50 ft. (15.2 m)	1	1 Roll Cont.	R6010
TLS, BMP71*	Fig. 29	PTL-9-423	B-423	Polyester	White	0.650 (16.5)	0.200 (5.1)	1	750	R6010
TLS, BMP71*	Fig. 29	PTL-10-423	B-423	Polyester	White	0.750 (19.1)	0.250 (6.4)	1	750	R6010
TLS, BMP71*	Fig. 29	PTL-13-423	B-423	Polyester	White	0.900 (22.9)	0.250 (6.4)	1	750	R6010
TLS, BMP71*	Fig. 29	PTL-14-423	B-423	Polyester	White	1.000 (25.4)	0.187 (4.8)	1	750	R6010
TLS, BMP71*	Fig. 29	PTL-15-423	B-423	Polyester	White	1.000 (25.4)	0.275 (7.0)	1	750	R6010
TLS, BMP71*	Fig. 29	BM71-16-423	B-423	Polyester	White	1.000 (25.4)	0.375 (9.5)	1	5000	R6010
TLS, BMP71*	Fig. 29	PTL-16-423	B-423	Polyester	White	1.000 (25.4)	0.375 (9.5)	1	500	R6010
TLS, BMP71*	Fig. 29	BM71-17-423	B-423	Polyester	White	1.000 (25.4)	0.500 (12.7)	1	5000	R6010
TLS, BMP71*	Fig. 29	PTL-17-423	B-423	Polyester	White	1.000 (25.4)	0.500 (12.7)	1	500	R6010
TLS, BMP71*	Fig. 29	BM71-19-423	B-423	Polyester	White	1.000 (25.4)	1.000 (25.4)	1	2500	R6010
TLS, BMP71*	Fig. 29	PTL-19-423	B-423	Polyester	White	1.000 (25.4)	1.000 (25.4)	1	250	R6010
TLS, BMP71*	Fig. 29	BM71-20-423	B-423	Polyester	White	1.000 (25.4)	2.000 (50.8)	1	1000	R6010
TLS, BMP71*	Fig. 46	PTL-24-423-BK	B-423	Polyester	White	1.130 (28.7)	0.500 (12.7)	1	500	R6010
TLS, BMP71*	Fig. 29	PTL-25-423	B-423	Polyester	White	1.250 (31.8)	0.250 (6.4)	1	750	R6010
TLS, BMP71*	Fig. 29	PTL-27-423	B-423	Polyester	White	1.500 (38.1)	0.125 (3.2)	1	750	R6010
TLS, BMP71*	Fig. 29	PTL-28-423	B-423	Polyester	White	1.500 (38.1)	0.250 (6.4)	1	750	R6010
TLS, BMP71*	Fig. 29	BM71-29-423	B-423	Polyester	White	1.500 (38.1)	0.500 (12.7)	1	5000	R6010
TLS, BMP71*	Fig. 29	PTL-29-423	B-423	Polyester	White	1.500 (38.1)	0.500 (12.7)	1	500	R6010
TLS, BMP71*	Fig. 51	PTL-30-423-CALI	B-423	Polyester	White	1.500 (38.1)	0.750 (19.1)	1	250	R6010
TLS, BMP71*	Fig. 29	PTL-31-423	B-423	Polyester	White	1.500 (38.1)	1.000 (25.4)	1	250	R6010
TLS, BMP71*	Fig. 29	PTL-32-423	B-423	Polyester	White	1.500 (38.1)	1.500 (38.1)	1	250	R6010
TLS, BMP71*	Fig. 29	PTL-2-423	B-423	Polyester	White	2.000 (50.8)	0.250 (6.4)	1	100	R6010
TLS, BMP71*	Fig. 29	PTL-20-423	B-423	Polyester	White	2.000 (50.8)	1.000 (25.4)	1	100	R6010
TLS, BMP71*	Fig. 29	PTL-26-423	B-423	Polyester	White	2.750 (69.9)	1.250 (31.8)	1	100	R6010
TLS, BMP71*	Fig. 29	PTL-22-423	B-423	Polyester	White	3.000 (76.2)	1.000 (25.4)	1	100	R6010
TLS, BMP71*	Fig. 29	PTL-37-423	B-423	Polyester	White	3.000 (76.2)	1.900 (48.3)	1	100	R6010
TLS, BMP71*	Fig. 29	PTL-23-423	B-423	Polyester	White	4.000 (101.6)	1.000 (25.4)	1	100	R6010
TLS, BMP71*	Fig. 29	PTL-38-423	B-423	Polyester	White	4.000 (101.6)	1.900 (48.3)	1	100	R6010
<b>Standard adhesive (B-430 clear):</b>										
TLS, BMP71*	Fig. 33	PTL-46-430	B-430	Polyester	Clear	0.375 (9.5)	50 ft. (15.2 m)	1	1 Roll Cont.	R6010
TLS, BMP71*	Fig. 53	PTL-6-430	B-430	Polyester	Clear	0.500 (12.7)	0.275 (7.0)	1	750	R6010
TLS, BMP71*	Fig. 29	PTL-44-430	B-430	Polyester	Clear	0.500 (12.7)	0.375 (9.5)	1	500	R6010
TLS, BMP71*	Fig. 29	PTL-7-430	B-430	Polyester	Clear	0.500 (12.7)	0.500 (12.7)	1	500	R6010
TLS, BMP71*	Fig. 33	PTL-8-430	B-430	Polyester	Clear	0.500 (12.7)	50 ft. (15.2 m)	1	1 Roll Cont.	R6010
TLS, BMP71*	Fig. 29	PTL-16-430	B-430	Polyester	Clear	1.000 (25.4)	0.375 (9.5)	1	500	R6010
TLS, BMP71*	Fig. 29	PTL-17-430	B-430	Polyester	Clear	1.000 (25.4)	0.500 (12.7)	1	500	R6010
TLS, BMP71*	Fig. 33	PTL-42-430	B-430	Polyester	Clear	1.000 (25.4)	50 ft. (15.2 m)	1	1 Roll Cont.	R6010
TLS, BMP71*	Fig. 29	PTL-45-430	B-430	Polyester	Clear	1.050 (38.1)	0.375 (9.5)	1	500	R6010
TLS, BMP71*	Fig. 29	PTL-28-430	B-430	Polyester	Clear	1.500 (38.1)	0.250 (6.4)	1	750	R6010
TLS, BMP71*	Fig. 29	PTL-29-430	B-430	Polyester	Clear	1.500 (38.1)	0.500 (12.7)	1	500	R6010
TLS, BMP71*	Fig. 33	PTL-43-430	B-430	Polyester	Clear	1.900 (48.3)	50 ft. (15.2 m)	1	1 Roll Cont.	R6010

See all TLS2200® and PC Link™ Ribbon parts on page 323.

\* Yellow media adaptor required for use in the BMP®71 printer. See page 324.