






	Part Number	Description	Light Source	Lamp Watts	Case Quantity	Example Photo	
LED EXIT SIGNS	RX3RWE	Emergency LED Exit Sign, Universal (single/double face), Red Letters, White Housing, 120/277 VAC, Damp Location Listed	LED	N/A	6		 
	RX3GWE	Emergency LED Exit Sign, Universal (single/double face), Green Letters, White Housing, 120/277 VAC, Damp Location Listed	LED	N/A	6		 
COMBINATION EXIT & EMERGENCY	CX3RW	Combination Exit and Emergency Lighting Unit, Red Letters, White Housing, Universal (single/double face), 120/277 VAC, Damp Location Listed	LED	5.4	5		 
	CX3GW	Combination Exit and Emergency Lighting Unit, Green Letters, White Housing, Universal (single/double face), 120/277 VAC, Damp Location Listed	LED	5.4	5		 
SIDE MOUNT FIXED LENS COMBINATION	FX3RW	Side Mount Fixed Lens Combination LED Exit and Emergency Lighting Unit, Red Letters, White Housing, Universal (single/double face), 120/277 VAC, Damp Location Listed	INC	5.4	5		 
	FX3GW	Side Mount Fixed Lens Combination LED Exit and Emergency Lighting Unit, Green Letters, White Housing, Universal (single/double face), 120/277 VAC, Damp Location Listed	INC	5.4	5		 
	FX3RWEC	Side Mount Fixed Lens Combination LED Exit and Emergency Lighting Unit, Red Letters, White Housing, Universal (single/double face), 120/277 VAC, Damp Location Listed, Extended Capacity to remote (2) 5.4 Watt Remote Heads	INC	5.4	5		 
	FX3GWEC	Side Mount Fixed Lens Combination LED Exit and Emergency Lighting Unit, Green Letters, White Housing, Universal (single/double face), 120/277 VAC, Damp Location Listed, Extended Capacity to remote (2) 5.4 Watt Remote Heads	INC	5.4	5		 
LOW PROFILE & 2-HEADED ADJUSTABLE	LPU	Low Profile Fixed Lens Emergency Lighting Unit, White Housing, 120/277 VAC, Damp Location Listed	INC	5.4	6		
	EM2	2-Headed Adjustable Emergency Lighting Unit, White Housing, 120/277 VAC, Damp Location Listed	INC	5.4	6		
INDOOR & OUTDOOR REMOTE HEAD	RXHSW0605	Matching Indoor Single Remote Head, 5.4 Watt Lamp, White Thermoplastic, Mounts to 3 1/2" octagon or single gang box	INC	5.4	10		
	RXHDW0605	Matching Indoor Double Remote Head, (2) 5.4 Watt Lamp, White Thermoplastic, Mounts to 3 1/2" octagon or single gang box	INC	5.4	5		
	ORHSG0605	Outdoor Sealed Single Remote Head, 5.0 Watt Lamp, Grey Thermoplastic, Mounts to 3 1/2" octagon or single gang box	INC	5.4	10		
	ORHDG0605	Outdoor Sealed Double Remote Head, (2) 5.0 Watt Lamp, Grey Thermoplastic, Mounts to 3 1/2" octagon or single gang box	INC	5.4	5		

Combination Exit & Emergency Light

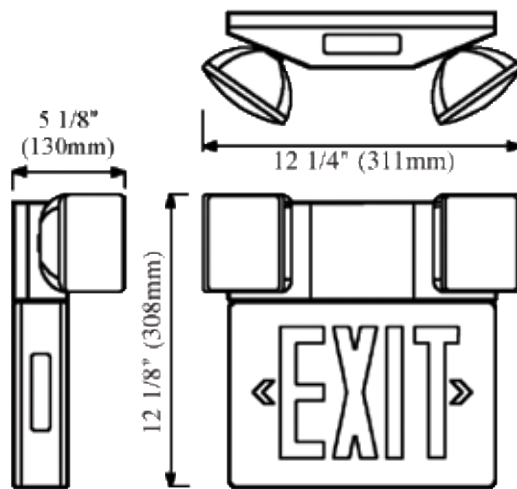
Thermoplastic Housing LED Lamps



Part #: CX3RW



Part #: CX3GW



DESCRIPTION

The CX3RW and CX3GW are economical and energy saving exit signs with two, top mounted emergency lighting heads. The injection molded plastic housing has soft rounded corners for aesthetic appeal. The LED lamps provide a maximum of energy savings potential and the battery pack allows the unit to be self powered during power outages.

APPLICATION

Suitable for use in almost any commercial or light industrial application.

COMPLIANCE

UL924 Listed.
Life Safety NFPA 101.
UL listed for damp location use.

HOUSING

The housing is made of injection molded thermoplastic, making it impact resistant and corrosion proof. UL94-5V rated.

MOUNTING

Easy snap fit canopy can be used for end mounting or knockouts can be used for surface mounting. Included second face allows the unit to be used as a single or double face exit sign. Snap fitting, replaceable chevrons for direction indication.

LAMPS

Long life Light Emitting Diode (LED) lamps in the exit sign portion provide the maximum in energy savings. The emergency lighting heads have 2 x 5.4 W adjustable incandescent lamps..

ELECTRICAL/BATTERY

- Dual voltage input 120/277 VAC, 60 Hz.
- Maintenance free, Sealed Lead Calcium 6V, 4.5 AH battery with a maximum full recharge time of 24 hours. Minimum 1½ hour emergency operation.
- Low voltage disconnect of the battery prevents deep discharge and maintains good battery life.
- Fully automatic, solid state charger.
- Test switch with LED charge indicator/AC voltage indicator.
- Line latching feature prevents the unit from turning on during installation to a non-energized AC circuit.