

Builder Collection

For information on ceiling fan installation products, please refer to the **Construction Products** catalog, section RXG.

Great All Purpose Fans

Lifetime
Limited Warranty



Model # ELN52AN5
SKU# 12559

- 52" Dual Mount Antique Nickel Ceiling Fan
 - 5 Ash / Mahogany Blades
 - 12-Degree Blade Pitch
 - 80" Lead Wires
 - Light Kit Adaptable
 - Remote Control Adaptable
- CFM: 5691 Watt: 65.4 CFM/W: 87



Lifetime
Limited Warranty



Model # ELN52ABZ5
SKU# 12583

- 52" Dual Mount Aged Bronze Ceiling Fan
 - 5 Oak / Mahogany Blades
 - 12-Degree Blade Pitch
 - 80" Lead Wires
 - Light Kit Adaptable
 - Remote Control Adaptable
- CFM: 5691 Watt: 65.4 CFM/W: 87



Lifetime
Limited Warranty



Model # ELN52WW5
SKU# 12576

- 52" Dual Mount White Ceiling Fan
 - 5 White / Whitewash Blades
 - 12-Degree Blade Pitch
 - 80" Lead Wires
 - Light Kit Adaptable
 - Remote Control Adaptable
- CFM: 5691 Watt: 65.4 CFM/W: 87



Lifetime
Limited Warranty



Model # ELN52BC5W
SKU# 12554

- 52" Dual Mount Brushed Chrome Ceiling Fan
 - 5 White / Whitewash Blades
 - 12-Degree Blade Pitch
 - 80" Lead Wires
 - Light Kit Adaptable
 - Remote Control Adaptable
- CFM: 5691 Watt: 65.4 CFM/W: 87



30 Year
Limited Warranty



Model # AW52WW5
SKU# 18557

- 52" Dual Mount White Ceiling Fan
 - 5 White ABS Blades
 - 12-Degree Blade Pitch
 - 80" Lead Wires
 - Light Kit Adaptable
 - Remote Control Adaptable
 - UL Listed for Outdoor Use
- CFM: 5533 Watt: 59.3 CFM/W: 93

BizLine ceiling fans offer Today's Best Values in both appearance and performance. They are not just another off-the-shelf product.

BizLine ceiling fans are built and backed by one of the world's largest ceiling fan vendors, manufactured in their premier partner-factories and carefully monitored by Quality Control staff throughout the process to ensure:

- Superior workmanship at all levels
- Quiet operation
- Precise balance for smooth operation
- Maximum airflow
- The highest quality finishes
- Safety

Before a partner-factory is certified to produce a BizLine ceiling fan, it produces pre-production and during-production samples that must pass stringent Quality Control evaluations in both our partner-factory and in the United States.

In addition to the regular Quality Control staff that one would expect in any good manufacturing facility, BizLine's ceiling fan vendor employs 26 full-time inspectors with up to 20 years of experience with the company. These Quality Control officers check the specifications of incoming components and monitor

motor stamping, winding and assembly, parts stamping, buffing, plating, final assembly and packaging.

Each BizLine fan motor must pass five (5) voltage leakage tests, a low-voltage starting test and a grounding test, after which it is checked for vibration and noise in at least two stages of assembly.

An additional Quality Audit of BizLine ceiling fans is done on each order during production. Fans are randomly pulled from the production line, hung and tested in the factory for operational excellence.

Daily Quality Control reports sent to headquarters in the United States show the status of each item being produced and any quality issues that may have arisen. Nothing is shipped until all issues are resolved.

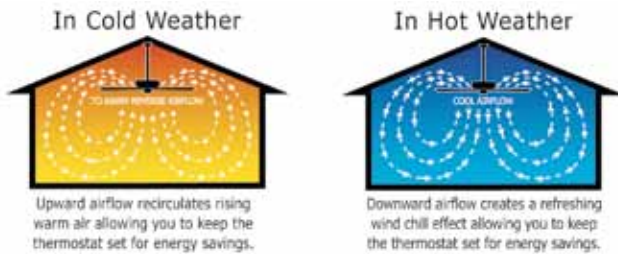
When a shipment of BizLine ceiling fans arrives in the United States, samples of each model are hung for a thorough inspection to confirm the quality that our Audit staff at the factory, has already certified.

As you would expect, every BizLine ceiling fan comes with a Lifetime Limited Warranty and a 24-hour toll-free Customer Service phone number.

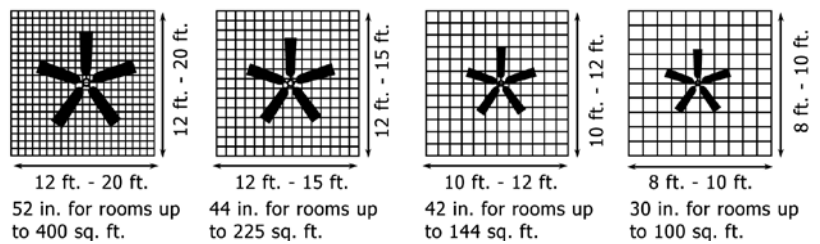
BizLine's customers expect the best products and services. BizLine ceiling fans truly meet their expectations.

Your BizLine Fan is an Energy Saver

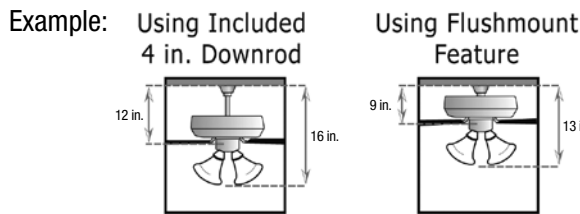
Reduce your home's heating and cooling costs year round



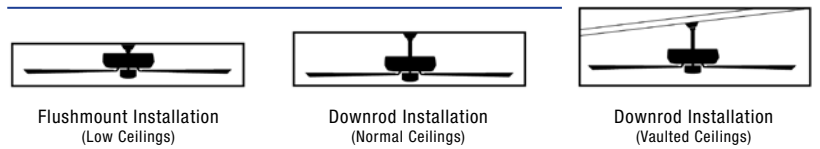
Select the Correct Fan Size for Your Room



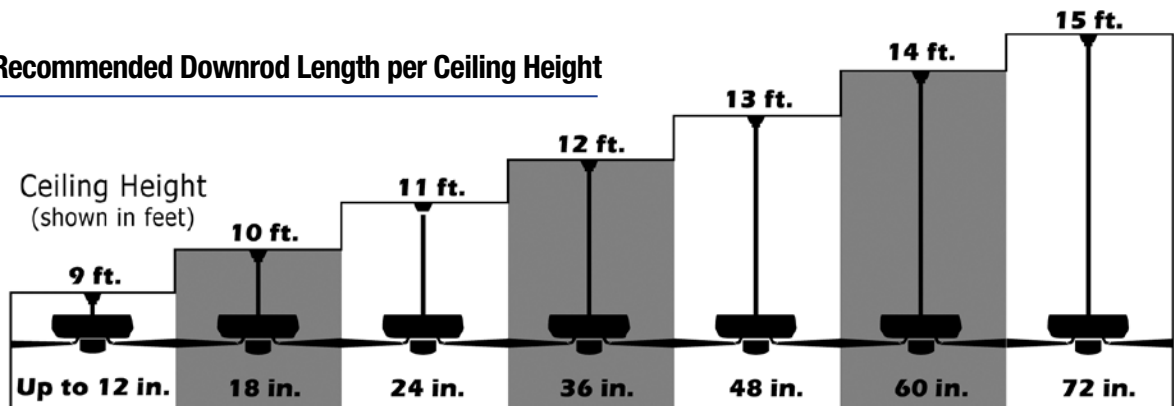
Vertical Distance from Ceiling



3 Position Mounting System



Recommended Downrod Length per Ceiling Height



Ideal Height from Floor to Fan Blades is 7 to 9 Feet